



Zip Duo

Boiling and chilled filtered water
Wall or counter mounted

5 litre (2kW), 15 litre (2.3kW), 15 litre (3.5kW)



Delivery rate

Up to 100 cups of boiling water and
18 glasses of chilled at a time

Features

Wall or counter mounting
(stand provided)
Available in 5 litres and 15 litres
(2.3kW or 3.5kW)
White or stainless steel
Integral submicron filtration
Energy efficient
Sleep mode and timer functionality
Robust construction

01.01.10

Zip Heaters (UK) Ltd. 14 Bertie Ward Way, Dereham, Norfolk, NR19 1TE
Tel 0845 602 4533 Fax 01362 692448 sales@zipheaters.co.uk www.zipheaters.co.uk



For latest prices and delivery to your door visit MyTub Ltd - 0845 303 8383 - www.mytub.co.uk - info@mytub.co.uk 

Model	Capacity litres	Casing	Delivery cups at any one time	Delivery glasses at any one time	Power rating kW	Weight empty kg	Weight full kg	Dimensions (mm)		
								H	W	D
HD005	5.0	White	30	35	2.0	32	42	430	650	280
HD015	15.0	White	100	35	2.3	40	64	580	700	350
HD215	15.0	White	100	35	3.5	40	64	580	700	350
HD105	5.0	S/Steel	30	35	2.0	32	42	430	650	280
HD115	15.0	S/Steel	100	35	2.3	40	64	580	700	350
HD315	15.0	S/Steel	100	35	3.5	40	64	580	700	350

Description

- Instant boiling and chilled filtered water
- Available in 6 models
- Option of installing on a suitable wall or on a worktop (worktop installation recommended)
- All components in a single case with easy access to the water filter
- Functions to control power-down and timer
- Moisture sensor to detect water leakage

Rating

5 litre – 2.0kW, 15.0 litre – 2.3kW & 3.5kW.

Refrigerant (chiller system)

134A under pressure.

Tap Heads

Standard chromed brassware catering taps.

Approvals

WRAS approval and CE endorsed.

Warranty

One-year on site parts and labour. For full details of the Zip Warranty Scheme visit: www.zipheaters.co.uk/warranty.

Ongoing Maintenance

Zip HydroCare programme on 0800 077 8302.

Installation

Location

The unit should be positioned either on a suitable wall that will take the weight (full) or on the counter mounting stand (recommended).

The unit should have a minimum 150mm clearance on the left, 50mm on the right and 150mm on top.

The unit must be installed with a vent to a safe and visible place.

Plumbing

The water supply must be potable (drinkable).

If static pressure exceeds 7 bar, a pressure reducing valve must be fitted.

An isolating valve should be installed between the water supply and the unit.

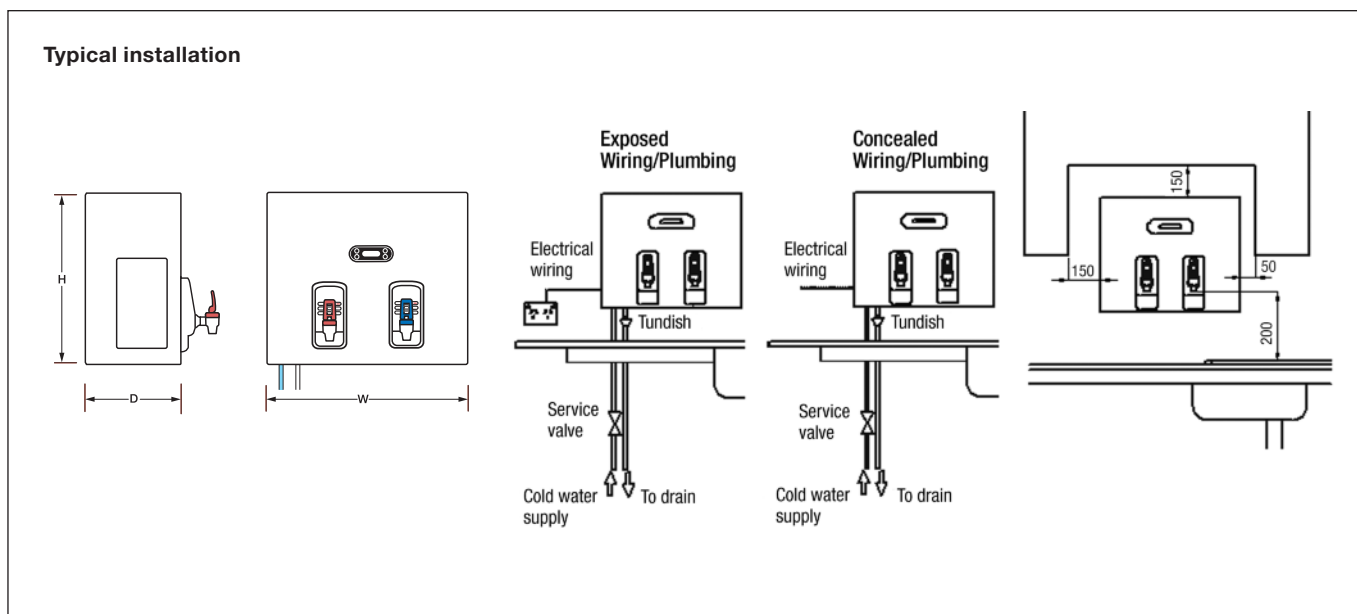
Electrical

To be wired to a double pole fused spur, minimum break rating of 13amps.

Installation must comply with current IEE regulations.

Technical Support

Contact Zip on 0800 077 8302.



01.01.10