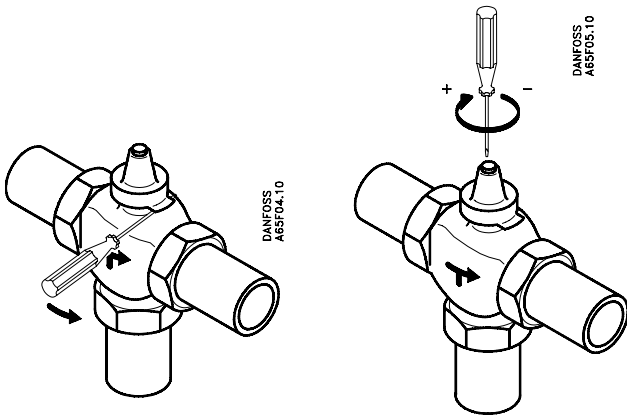
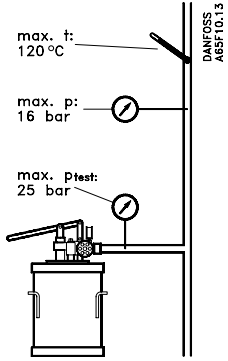




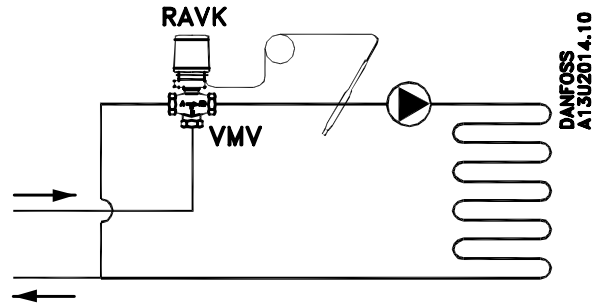
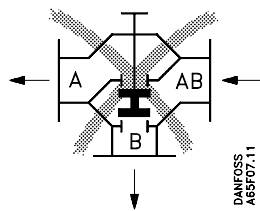
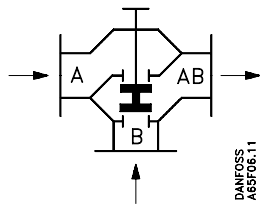
065R9179



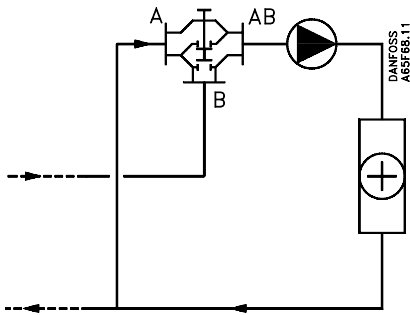
Type	Max. Δp bar
VMV15	0,6
VMV20	0,5
VMV25	0,3
VMV32	0,2
VMV40	0,2



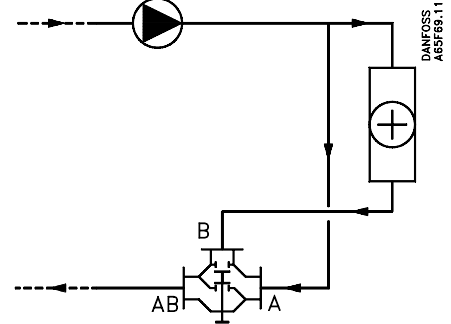
065R9179



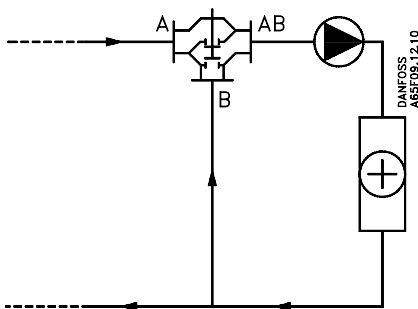
NC (normally closed)  
RAVK (only VMV DN 15, 20)  
ABV - NC



NC (normally closed)  
RAVK (only VMV DN 15, 20)  
RAVI (only VMV DN 15, 20)  
ABV - NC



NO (normally open)  
ABV - NO



NO (normally open)  
ABV - NO

