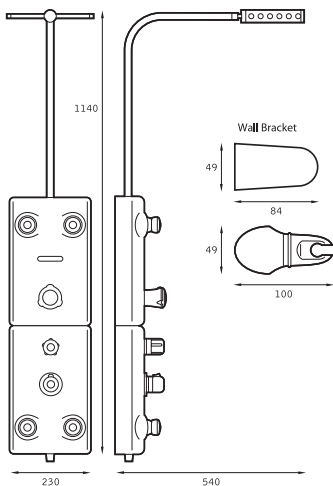


Unichrome

thermostatic shower tower



Dimensions given are approximate



Operating Features

- Thermostatic temperature control
- Automatic shutdown if hot or cold supply fails
- Adjustable maximum temperature stop
- Separate flow, diverter and temperature controls
- Numbered temperature control
- Fixed showerhead
 - Single spray pattern
- Rub clean handset
 - Single spray pattern
- 4 rub clean body jets
 - Single spray pattern

Temperature Control	Thermostatic
Plumbing System Compatibility	High pressure or low pressure with a pump
Inlet Connections	1/2" BSP
Water Entry Points	Back
Outlet Connection	1/2" BSP
Minimum running pressure	1 Bar or 0.1 Bar* (with a pump)
Maximum running pressure	6 Bar
Maximum static pressure	7 Bar
Guarantee	1 year

* Recommended 2 Bar or above for optimum performance

Finish	Code
Chrome	SHTW250T