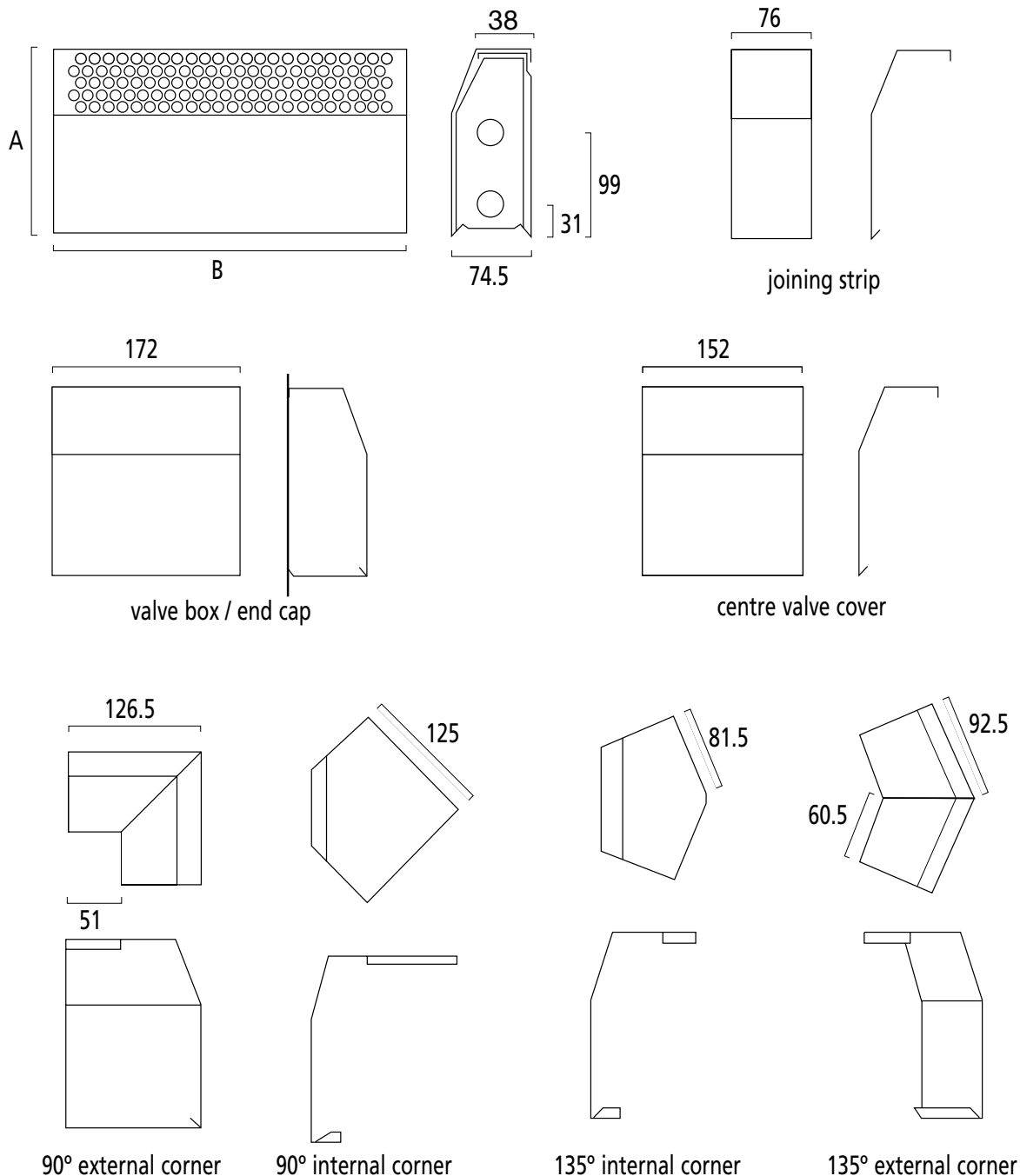


TRC Skirting Heating

TRC Skirting Heating is supplied from stock in 4 lengths: 500mm, 1000mm, 1500mm and 2000mm.

Valve box / end caps and different types of corners, as well as other accessories show below can also be ordered.



Important Note

The Radiator Company recommend that existing or new pipework is not adjusted until the radiator or towel rail is installed in its final position.

For further information please call us on:

01342 302250

TRC Skirting Heating Guide

1. Work out your required heat output. For a more detailed explanation please visit our website at www.theradiatorcompany.co.uk.
2. Decide which walls are best suited to the positioning of the skirting elements in relationship to your existing or planned pipe-work.
3. Measure the length of walls where the lengths are to be fitted.
(Please note it is not necessary to run the elements along the complete wall).
4. Use a combination of the various lengths available to provide the required heat output with a minimum number of joints. A 1000mm casing only length, suitable for cutting to size, is also available for making good where required. Use corners as required.
5. When fitting Thermostatic Radiator Valves leave sufficient distances between the end valve box and the wall to allow air movement.
6. Allow sufficient distances from room corners to fit corner attachments.

Important Note:

Valves are not supplied with TRC Skirting Heating. When fitting Thermostatic valves the valve head will protrude from the side of the valve box. Motorised or regular valves can be concealed within the valve box. TRC Skirting Heating uses 22mm UK connections. If fitting straight runs of 10 metres or longer we recommend that expansion joints are used. These are readily available from heating merchants.