

## thermostatic mixing valves -

### Intamix Pro Thermostatic Mixing Valves

#### Introduction

The Intamix Pro range is designed for use in applications where a high volume of water is required at the outlet, such as shower blocks and centralised mixing. Providing a high volume of water at a stable temperature, the Intamix Pro reflects the quality of the Intatec range of washroom solutions.

intamix **Pro**  
provides  
a **high** volume of  
water at **stable**  
temperatures with  
**thermostatic**  
protection

- Thermostatic protection
- Tamper proof head
- Single piece thermostatic cartridge construction
- Automatic shut off in the event of hot or cold water failure
- High flow rate, low pressure drops
- Adjustable outlet temperature
- Temperature stability  $\pm 2^{\circ}\text{C}$

#### Product Range

Description	Code
intamix pro 1/2" with screwed iron MxMxM complete with integral check valves/filters	60001CP
intamix pro 3/4" with screwed iron MxMxM complete with integral check valves/filters	60003CP
intamix pro 1" with screwed iron MxMxM complete with integral check valves/filters	60004CP
intamix pro 1 1/4" with screwed iron MxMxM complete with integral check valves/filters	60005CP
intamix pro 1 1/2" with screwed iron MxMxM complete with integral check valves/filters	60006CP
intamix pro 2" with screwed iron MxMxM complete with integral check valves/filters	60023CP



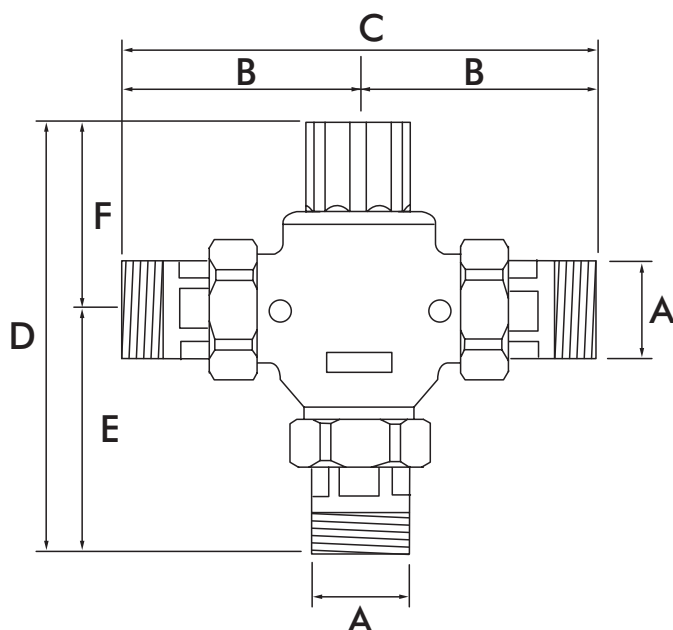
## thermostatic mixing valves -

## Intamix Pro Thermostatic Mixing Valves

### Features

#### Technical Specification

Max Inlet Pressure	14 Bar (static)
Min Inlet Pressure (dynamic)	0.2 Bar
Max Inlet Temperature	85°C
Max Inlet Pressure Differential	2:1
Outlet Temperature Adjustment	30°C - 65°C
Min Temperature differential to achieve hot or cold failsafe	10°C



Code	A	B	C	D	E	F	Weight (kg)
60001CP	½"	85	170	169	95	74	1.65
60003CP	¾"	85	170	169	95	74	1.68
60004CP	1"	101	202	195	107	88	3.09
60005CP	1 ¼"	101	202	195	107	88	3.07
60006CP	1 ½"	129	258	243	135	108	8.0
60023CP	2"	129	258	243	135	108	8.24

