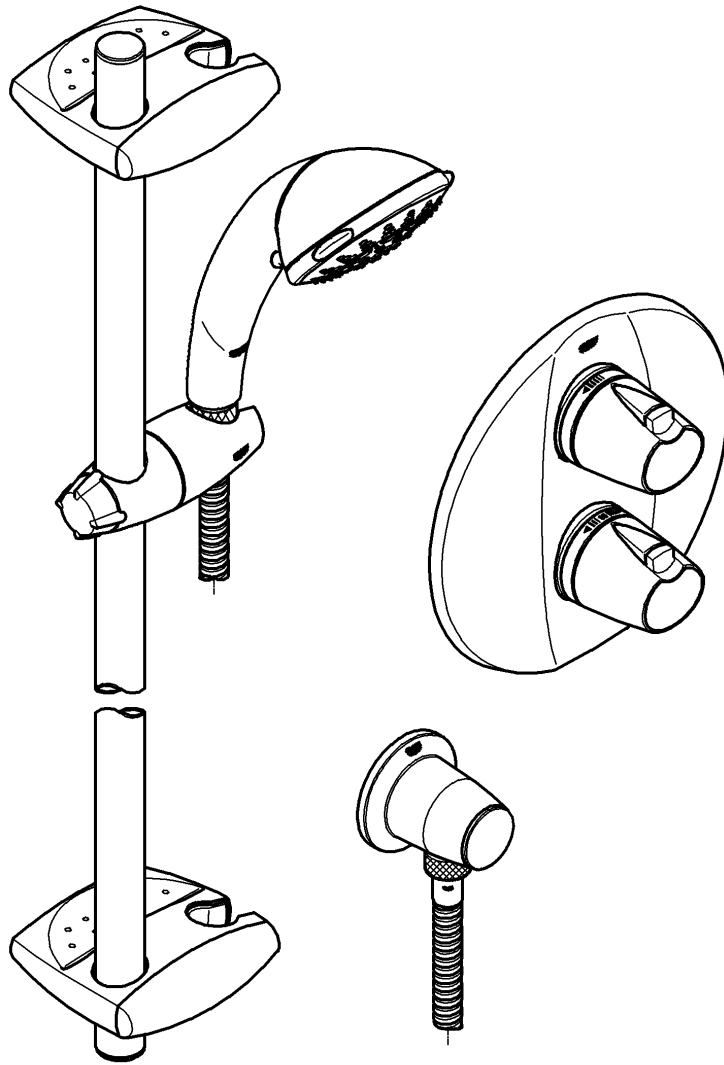


34 193

Grohtherm 3000

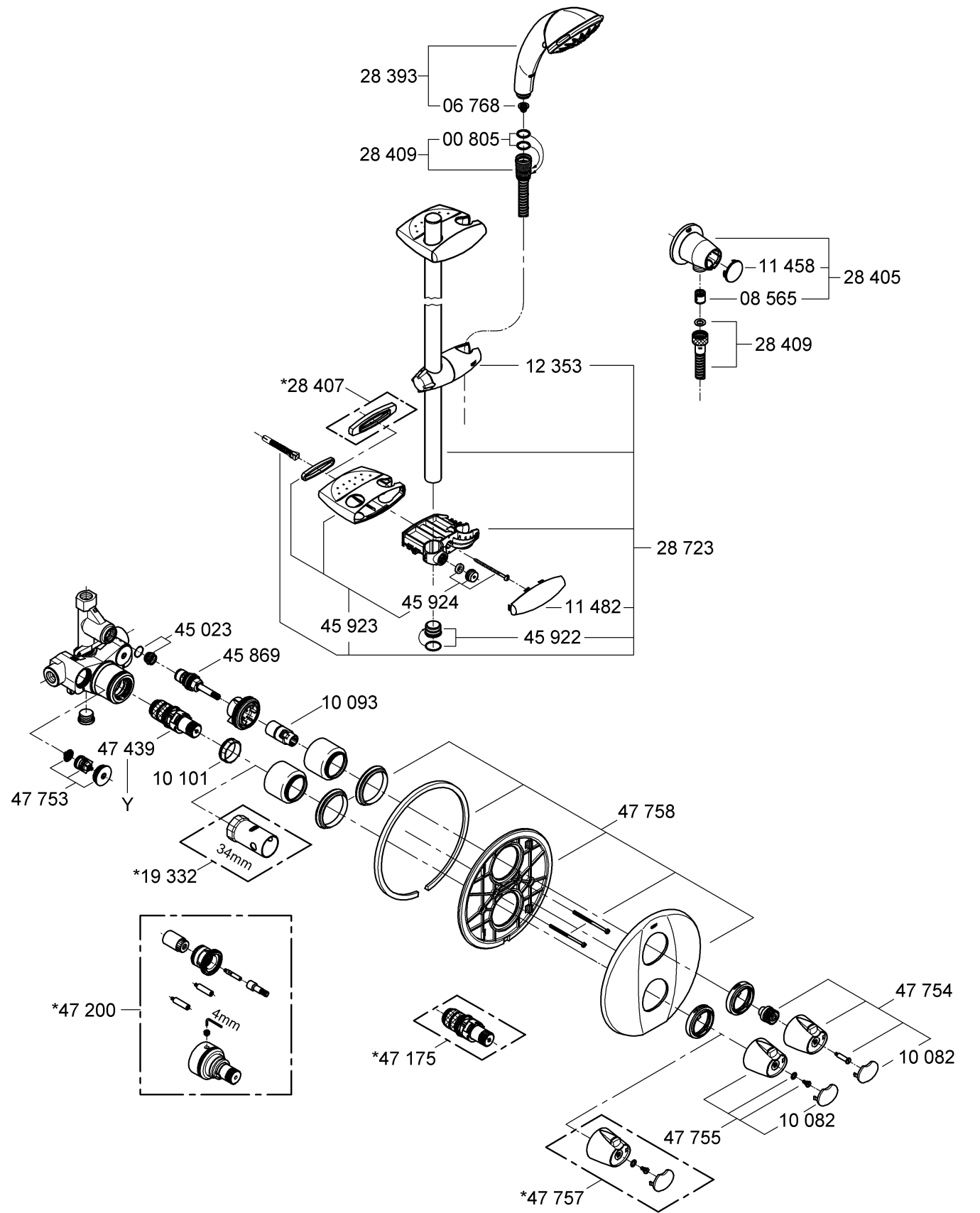
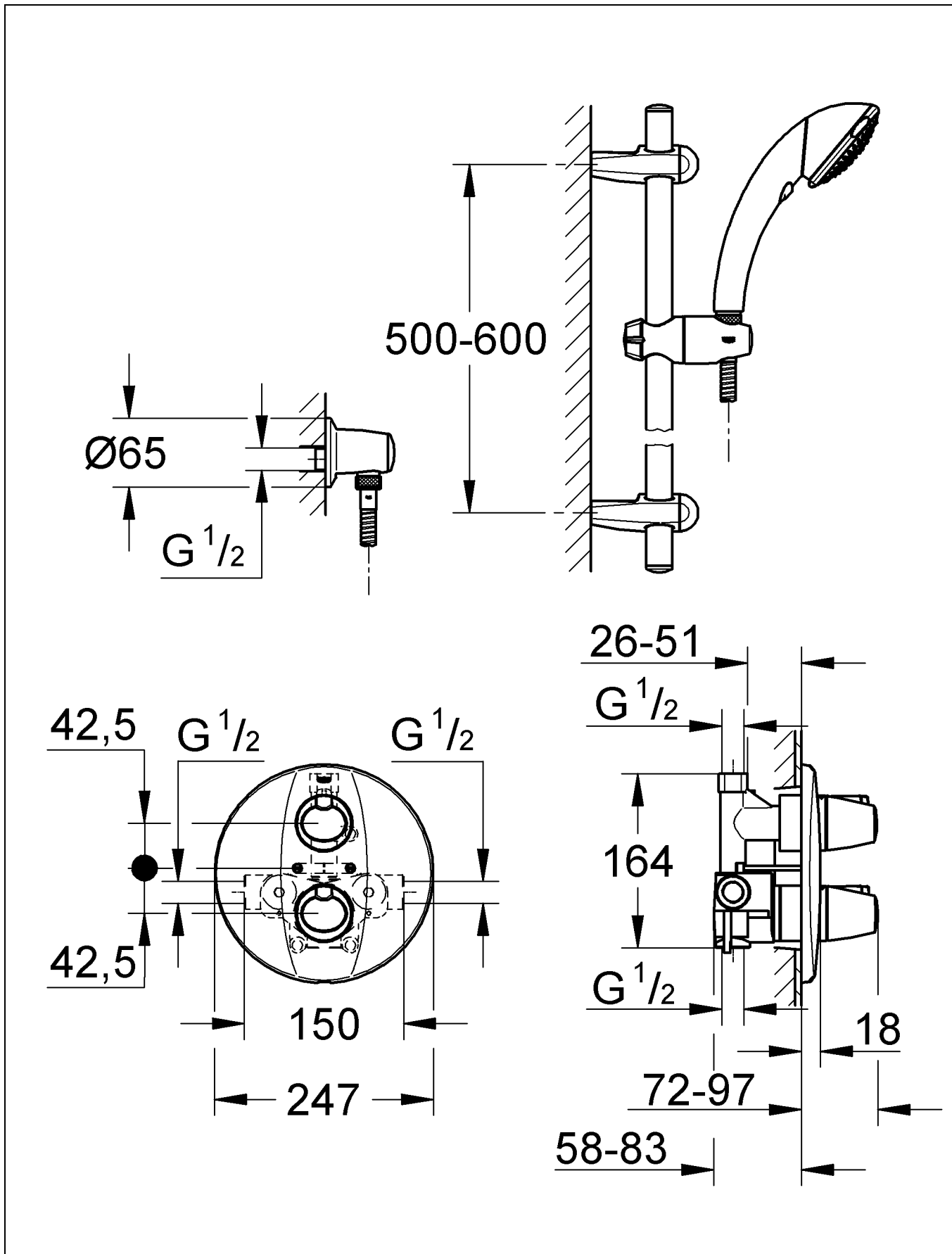


## Grohtherm 3000

GB .....1

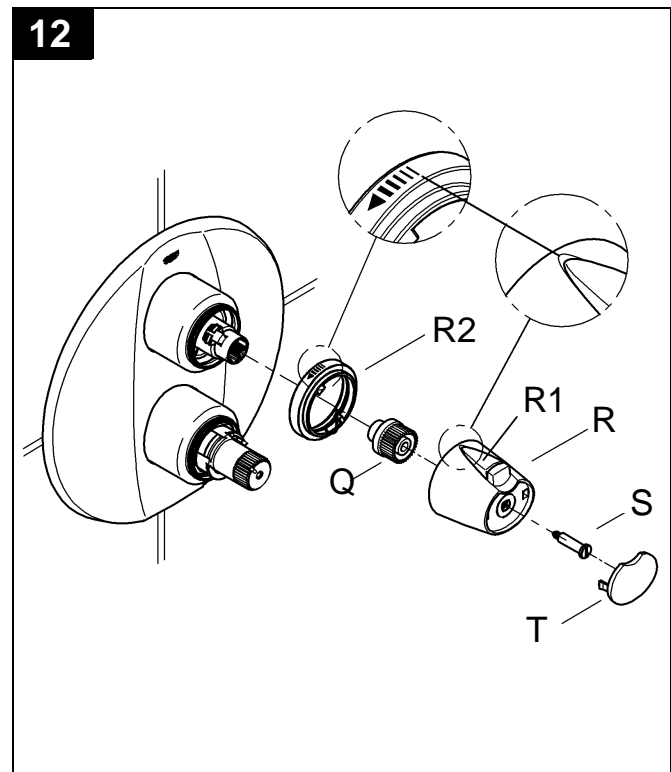
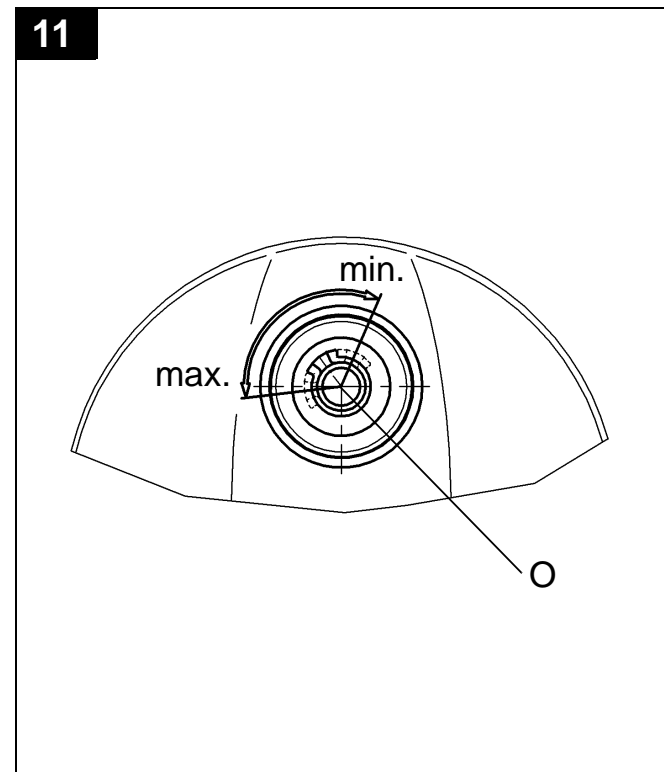
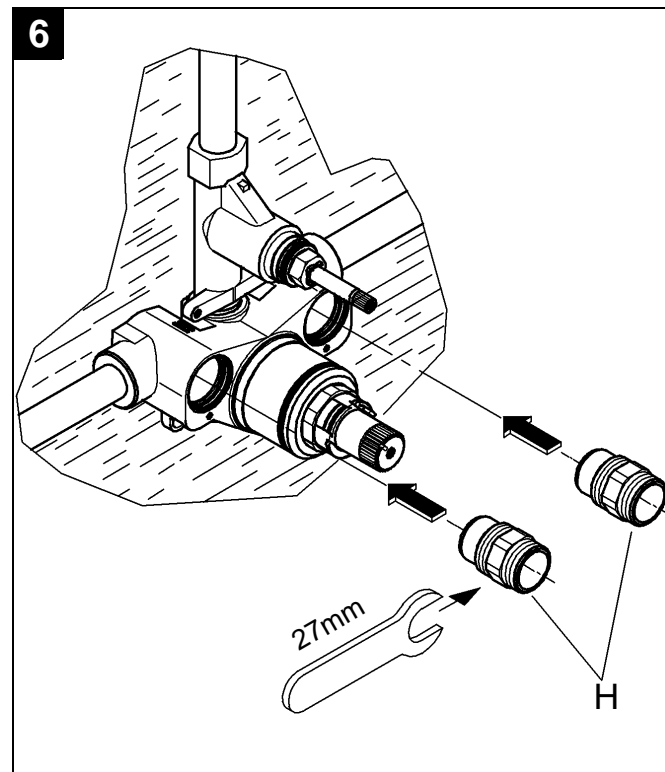
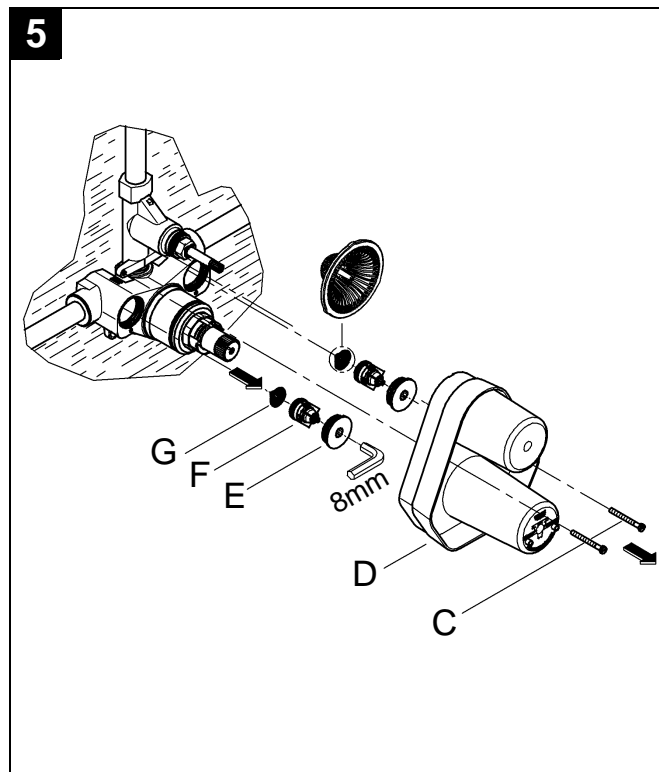
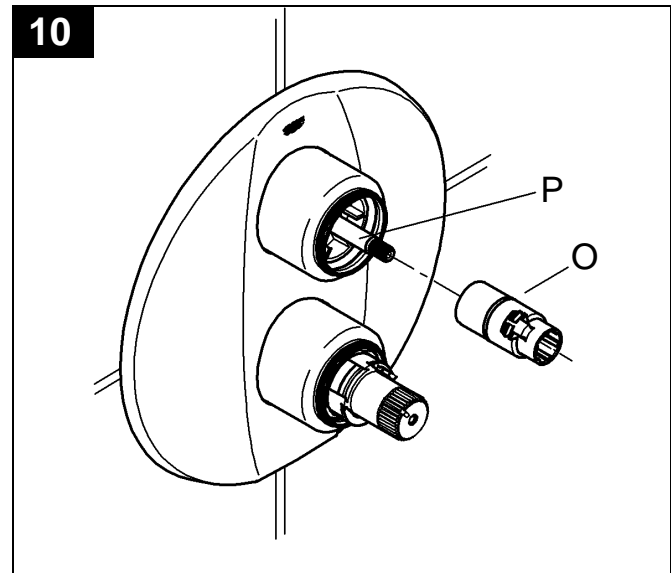
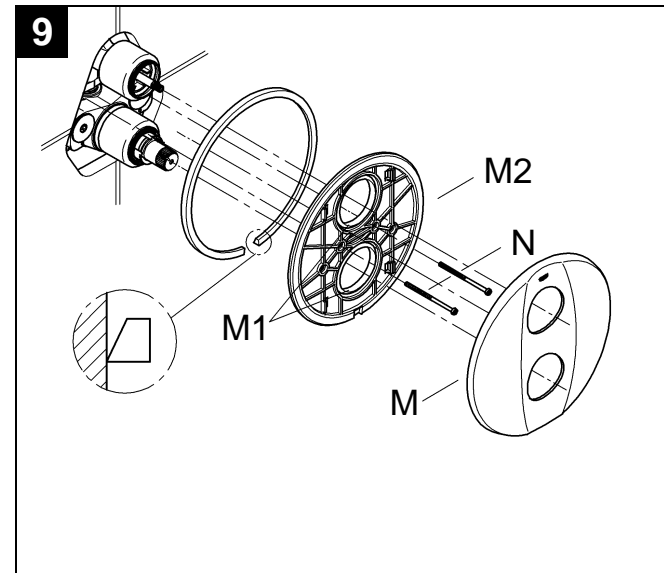
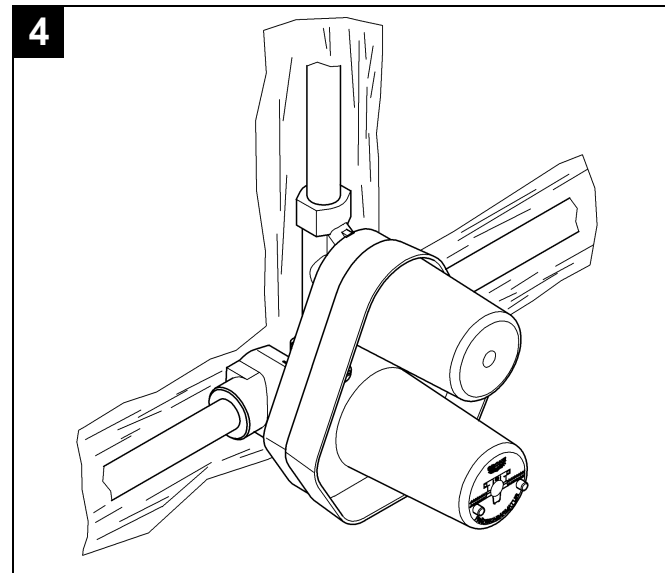
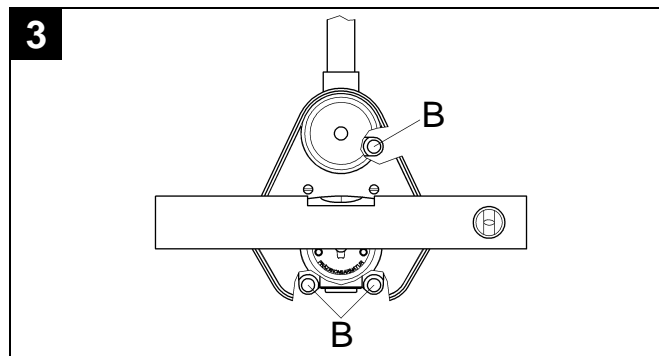
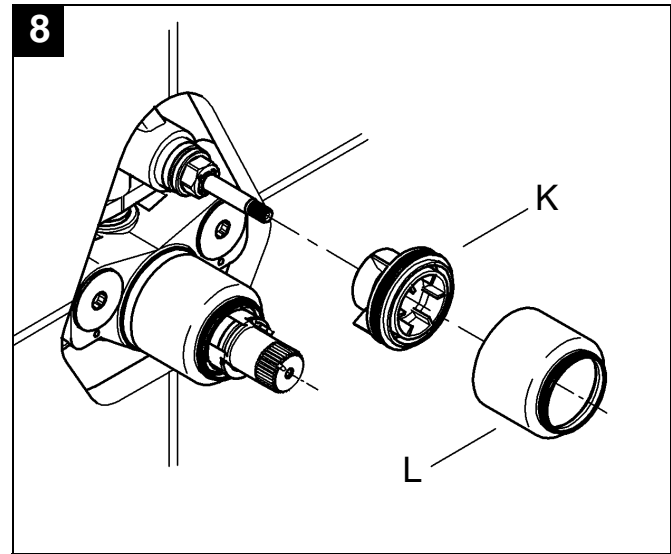
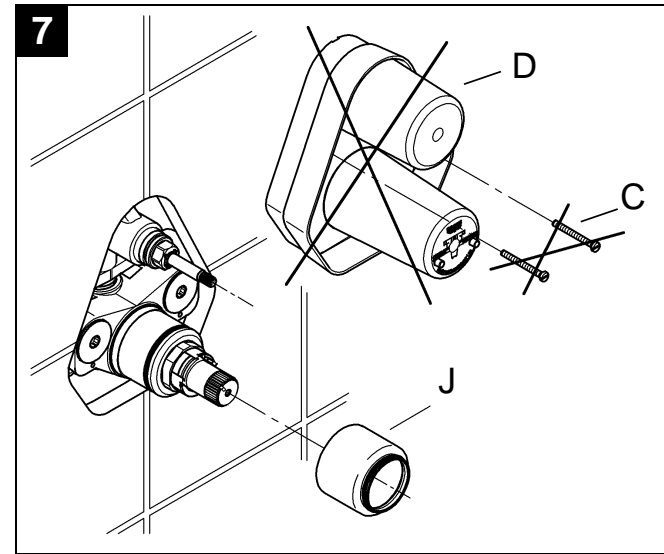
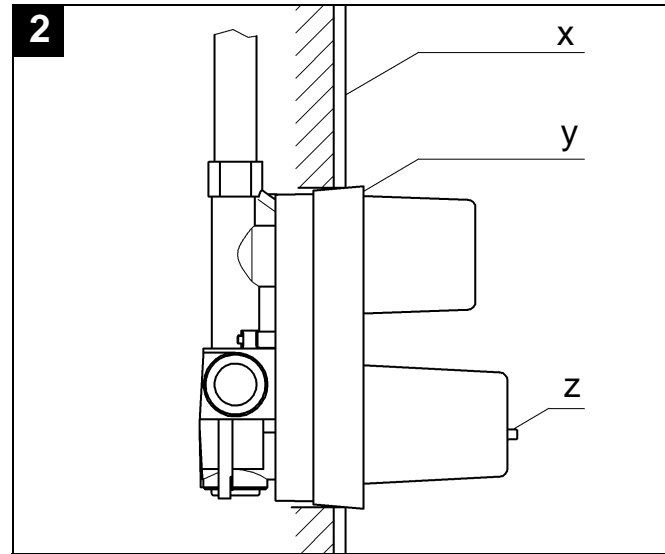
94.690.131/ÄM 205984/08.06

**GROHE**  
ENJOY WATER®



Please pass these instructions on to the end user of the fitting.

1	a	b	c
	1/2"		29 800
	ø 15mm		29 801
	3/4"		29 802
	ø 18mm		29 803
	ø 22mm		29 804





## Application

Thermostat mixers are designed for hot water supplies from pressurised storage heaters and offer the highest temperature accuracy when used in this way. Given sufficient output (min. 18 kW or 250 kcal per min), electric or gas-fired instantaneous heaters are also suitable.

Thermostat mixers cannot be used in conjunction with low-pressure storage heaters (displacement heaters).

All thermostat mixers are adjusted at the factory at a flow pressure of 3 bar on both sides.

The built-in thermostat only shuts off the upper outlet. An additional stop valve must be fitted if the lower outlet is used.

For an order number index to the various installation components for the concealed mixer, see fold out page II fig. [1].

a = Size of union  
b = Part  
c = Part No.

## Technical Data

Minimum flow pressure without downstream resistances	0.5 bar
Minimum flow pressure with downstream resistances	1 bar
Max. operating pressure	10 bar
Recommended flow pressure	1 - 5 bar
Test pressure	16 bar
Flow rate at 3 bar flow pressure	approx. 24 l/min
Max. water temperature at hot water inlet	80 °C
Recommended max. flow temperature (for energy saving)	60 °C
Safety stop	38 °C
Hot water temperature at supply connection min. 2 °C higher than mixed water temperature.	
Hot water connection - W - (-H-)	left
Cold water connection - K - (-C-)	right
Minimum flow rate	5 l/min

At a flow pressure over 5 bar it is recommended that a pressure reducing valve be fitted in the supply line.

## New installations

- Prepare wall ready for mixer. Drill holes for thermostat mixer and chase-out grooves for pipelines.
- Observe the installation depth in accordance with the instructions given on the mounting template, see also fold out page II fig. [2].

x = Face of tiles  
y = Front face of mounting template  
z = Resting point for spirit level

- Align the mixer horizontally, vertically and parallel to the wall, see fig. [3] (place a spirit level on the cams or face of the mounting template).

- Install concealed thermostat mixer module in wall and connect pipelines, see fig. [4].

The housing is provided with pre-drilled holes (B) to facilitate mounting the fitting to the wall, see fig. [3].

- **Do not solder the connections between the pipelines and housing**, otherwise the built-in non-return valves may be damaged.

- Seal the open outlet with screw plug.

### Note!

- **The hot water supply must be connected on the left (marked W (H) on housing) and the cold water supply on the right (marked K (C) on housing), as viewed from the operating position.**

### Open cold and hot water supplies.

### Test the pipelines and concealed thermostat module connections for leaks.

### Flush pipelines thoroughly.

1. Remove screws (C) and mounting template (D), see fig. [5].
2. Close the hot and cold water supplies.
3. Remove screw plug (E).
4. Remove non-return valve (F) and filter (G).
5. Install flushing plugs (H) in non-return valve seat recesses, see fig. [6].
6. Open the hot and cold water supplies and flush pipes thoroughly.
7. Close the hot and cold water supplies and remove flushing plugs (H).
8. Install filter (G) and non-return valve (F), see fig. [5].
9. Install screw plug (E).
10. Reinstall mounting template (D).

Plaster and tile the wall, excluding the area occupied by the mounting template. Seal any apertures in the wall so that they are watertight to spray water.

- Tiles laid in mortar should be pointed so that the joint is tapered towards the outside.

- Seal prefabricated walls with a permanently plastic compound.

Do **not** remove the fitting template before final installation.

### Final installation

1. Remove screws (C) and mounting template (D), see fig. [7].
2. Install sleeve (J).
3. Install holder (K) and fit sleeve (L), see fig. [8].
4. Grease the seals (M1) for the escutcheon mounting bracket (M2) with the special grease supplied and install escutcheon mounting bracket (M2) with screws (N), see fig. [9].
5. Fit the escutcheon (M).

If the thermostat has been installed at too great a depth, this can be adjusted by 27.5mm with an extension set (see fold-out page I, ref. No. 47 200).

### Open cold and hot water supplies.

---

#### Installation of the flow control knob and adjustment of the economy stop, see figs. [10] to [12].

- The flow rate is limited by the economy stop (O) supplied, see fig. [10].

To install the flow control knob, proceed as follows:

1. Close the ceramic headpart (P) by turning clockwise.
2. Install the economy stop (O) in the desired position. For possible settings, see fig. [11].
3. Fit scale ring (R2), see fig. [12].
4. Fit splined adapter (Q).
5. Install flow control knob (R) so that the button (R1) is at top.
6. Reinstall screw (S).
7. Fit cap (T).

If a higher rate is desired, the stop can be overridden by depressing the button (R1).

---

**Reversed connection** (hot on right - cold on left). Replace thermostatic compact cartridge (Y), see Replacement Parts, fold-out page I, Prod. no. 47 175 (1/2").

---

### Adjustment

#### Installation of the thermostat knob and temperature adjustment, see fold-out page III figs. [13] and [14].

- Before the mixer is put into service if the mixed water temperature measured at the point of discharge varies from the specified temperature set on the thermostat.
- After any maintenance operation on the thermoelement.
  1. Open the shut-off valve and check the temperature of the water with a thermometer, see fig. [13].
  2. Turn the adjusting nut (U) clockwise or anticlockwise until the water temperature reaches 38 °C.
  3. Fit scale ring (V2), see fig. [14].
  4. Install temperature control handle (V) so that the button (V1) is at top.
  5. Reinstall screw (W).
  6. Fit cap (X).

---

### Temperature limitation

The safety stop limits the temperature range to 38 °C. If a higher temperature is desired, the 38 °C limit can be overridden by depressing the button (V1), see fig. [14].

### Temperature limit stop

If the temperature limit stop should be 43 °C, use handel ref. No. 47 757 (see fold-out page I).

---

### Prevention of frost damage

When the domestic water system is drained, thermostat mixers must be drained separately, since non-return valves are installed in the hot and cold water connections. The complete thermostat assemblies and non-return valves must be unscrewed and removed.

---

### Maintenance

Inspect and clean all parts, replace if necessary and grease with special valve grease.

### Shut off cold and hot water supplies.

**I. Thermostatic compact cartridge (Y)**, see fold-out page III, fig. [15] to [17].

- Loosen screw ring (Z) using a 34mm tool.
- If necessary, lever out thermostatic compact cartridge (Y) via recess (Y1).
- Remove screw ring (Z).

Install in reverse order.

### Observe the correct installation position of the thermostatic compact cartridge (Y), see detail (Y2).

Readjustment is necessary after every maintenance operation on the thermostatic compact cartridge (see Adjusting).

**II. Non-return valve (F) or (F1)**, see fold-out page III figs. [15], [16], [18] and [19].

Reassemble in reverse order.

**III. Ceramic headpart (P)**, see fold-out page III figs. [15], [16] and [18].

Reassemble in reverse order.

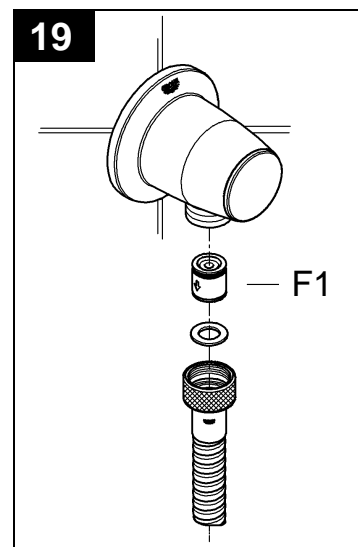
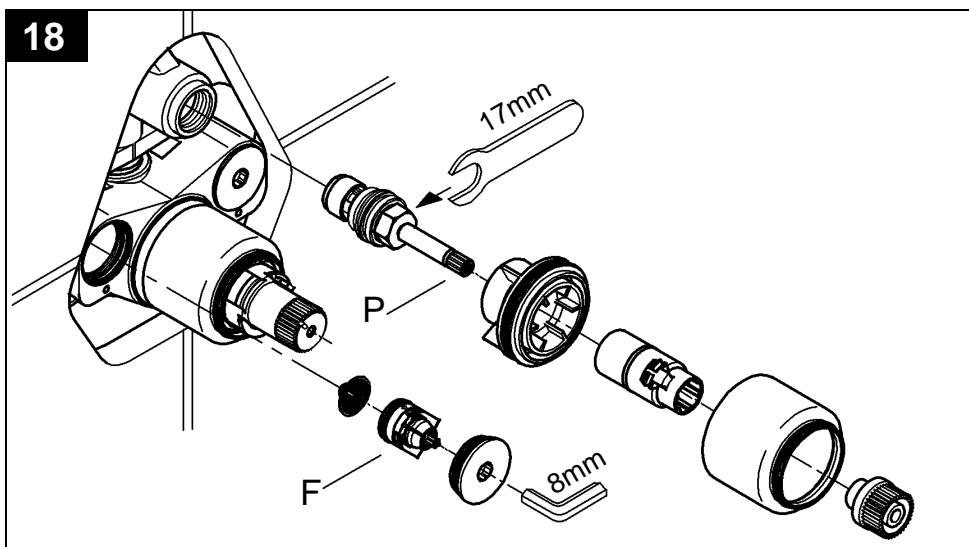
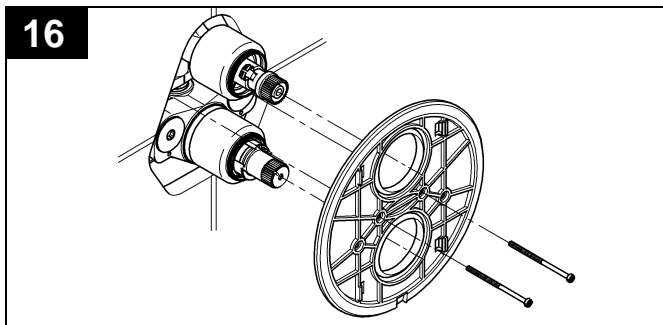
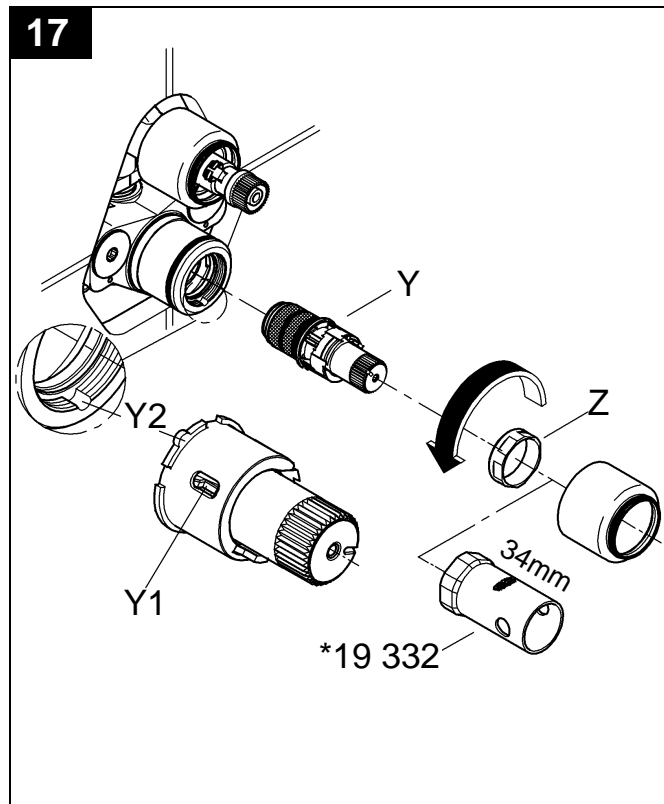
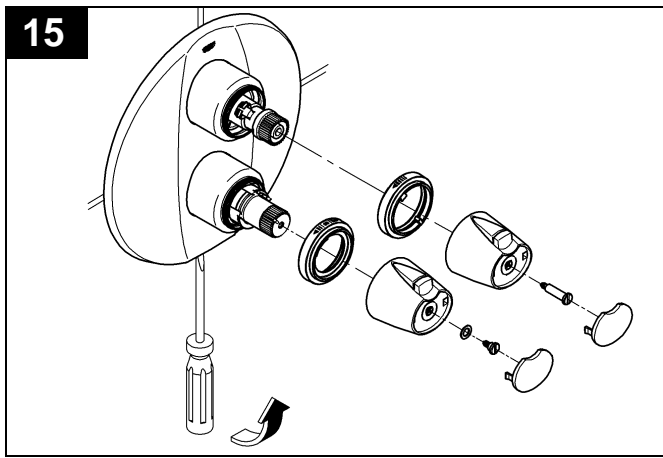
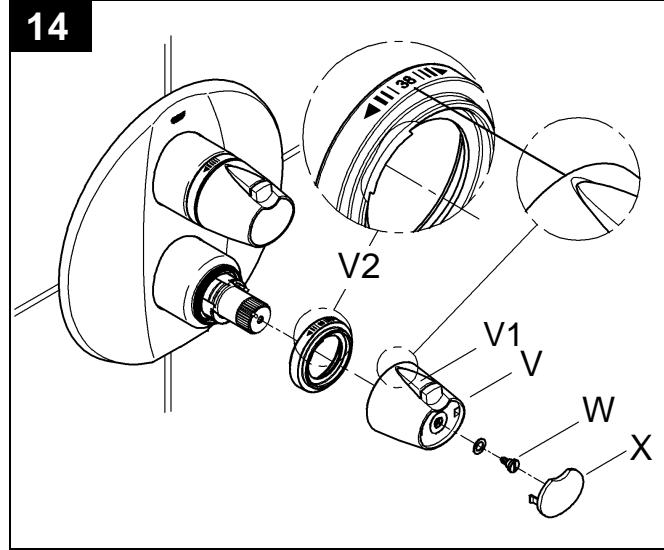
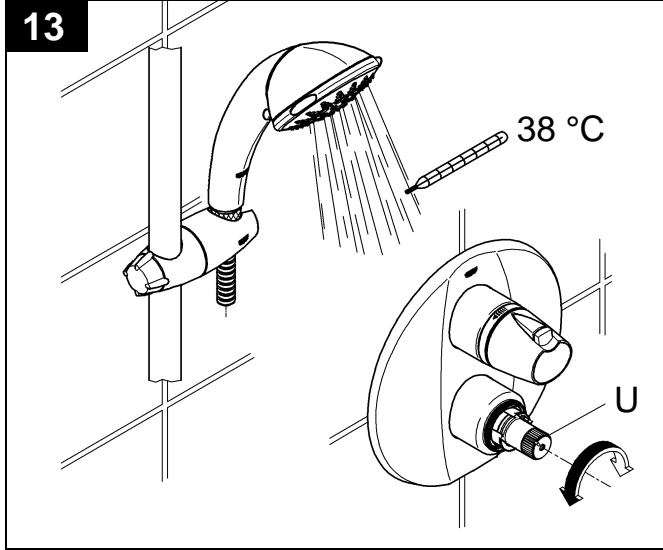
### Observe the correct mounting positions!

**Replacement parts**, see fold-out page I (\* = special accessories).

---

### Care

For directions on the care of this fitting refer to the accompanying Care Instructions.





**D**

Grohe Deutschland  
Vertriebs GmbH  
Zur Porta 9  
32457 Porta Westfalica  
Tel.: +49 571 3989-333  
Fax: +49 571 3989-999

**A**

GROHE Ges.m.b.H.  
Beichlgasse 6  
1100 Wien  
Tel.: +43 1 68060-0  
Fax: +43 1 6898747

**B**

GROHE nv - sa  
Diependaalweg 4a  
3020 Winksele  
Tel.: +32 16 230660  
Fax: +32 16 239070

**BG**

Представителство  
Grohe AG  
в България  
Ралф Шпиринг  
Клон 11, П.К. 35  
8011 Бургас  
тел./факс.: +359 56 950104  
тел./факс.: +359 56 845549

**CDN**

GROHE Canada Inc.  
1226 Lakeshore Road East  
Mississauga, Ontario  
Canada, L5E 1E9  
Tel.: +1 905 2712929  
Fax: +1 905 2719494

**CH**

Grohe Switzerland SA  
Hertistrasse 2  
8304 Wallisellen  
Tel.: +41 44 8777300  
Fax: +41 44 8777320

**CN**

高仪 (上海)  
卫生洁具有限公司  
宁桥路615号  
201206 上海  
中华人民共和国  
电话: +86 21 50323535  
传真: +86 21 50550363

**CY**

Nicos Theodorou & Sons Ltd.  
12 Dimitsanis Street  
CY-1507 Nicosia  
P.O. Box 21387  
Tel.: +357 22 757671  
Fax: +357 22 759085

**CZ SK**

Zastoupení  
Grohe AG pro ČR a SR  
V Oblouku 104, Čestlice  
252 43 Průhonice  
Tel.: +420 225 091 081-4  
Fax: +420 225 091 085

**DK**

GROHE A/S  
Walgerholm 11  
3500 Vaerløse  
Tel.: +45 44 656800  
Fax: +45 44 650252

**E**

GROHE España S.A.  
C/ Botanica, 78 - 88  
Gran Via L'H - Distr. Econòmic  
08908 L'Hospitalet de Llobregat  
(Barcelona)  
Tel.: +34 93 3368850  
Fax: +34 93 3368851

**EST LT LV**

ALPIGRO OÜ  
Alar Pihlak  
Jõe 5  
10151 Tallinn  
Tel.: +372 6261204  
Fax: +372 6261204

**F**

GROHE s.à.r.l.  
11, Rue des Peupliers  
92441 Issy-les-  
Moulineaux Cedex  
Tel.: +33 1 46625000  
Fax: +33 1 46626110

**FIN**

Oy Teknocalor Ab  
Sinikellonkuja 4  
01300 Vantaa  
Tel.: +358 9 8254600  
Fax: +358 9 826151

**GB**

GROHE Limited  
1, River Road  
Barking, Essex, IG11 OHD  
Tel.: +44 208 5947292  
Fax: +44 208 5948898

**GR**

Nikos Sapountzis S.A.  
86, Kapodistriou & Roumelis Str.  
142 35 N. Ionia - Athens  
Tel.: +30 10 2712908  
Fax: +30 10 2715608

**H**

GROHE Hungary Kft.  
Liget u. 1.  
2040 Budaörs  
Tel.: +36 23 422 468  
Fax: +36 23 422 469

**HR**

ENERTECH GmbH  
Division Giersch  
Maksimirska 96/II  
10000 Zagreb  
Tel.: +385 1 2338260  
Fax: +385 1 2308024

**I**

GROHE S.p.A.  
Via Castellazzo Nr. 9/B  
20040 Cambiago (Milano)  
Tel.: +39 2 959401  
Fax: +39 2 95940263

**IS**

BYKO hf.  
Skemmuvegi 2  
200 Kópavogur  
Tel.: +354 515 4000  
Fax: +354 515 4099

**J**

Grohe Japan Ltd.  
TRC Building, 3F  
1-1 Heiwajima 6-chome, Ota-ku  
Tokyo 143-0006  
Tel.: +81 3 32989730  
Fax: +81 3 37673811

**N**

GROHE A/S  
Karihaugveien 89  
1086 Oslo  
Tel.: +47 22 906110  
Fax: +47 22 906120

**NL**

GROHE Nederland BV  
Metaalstraat 2  
2718 SW Zoetermeer  
Tel.: +31 79 3680133  
Fax: +31 79 3615129

**P**

GROHE Portugal  
Componentes Sanitários, Lda.  
Rua Arq. Cassiano Barbosa, 539  
1.º Frente Esquerdo  
4100-009 Porto  
Tel.: +351 22 543 29 80  
Fax: +351 22 543 29 99

**PL**

GROHE Polska Sp. z.o.o.  
Ul. Migdalowa 4  
02-796 Warszawa  
Tel.: +48 22 6451255 - 57  
Fax: +48 22 6451258

**RUS**

Представительство  
Grohe AG  
Москва, ул. Щипок, 11/28, стр. 1  
115054  
тел.: +7 095 9374901  
факс: +7 095 9374902

**RO**

S.C. EURO - International S.R.L  
B-dul Dinicu Golescu, Nr. 41, Bl.6,  
Sc. 3; Ap. 67, Parter  
010868 Bucharest (Sector 1)  
Tel.: +40 21 3161451  
Fax: +40 21 3161452

**S**

GROHE A/S  
Box 2063  
194 02 Upplands Väsby  
Tel.: +46 771 141314  
Fax: +46 771 141315

**SLO**

GROSAN inženiring d.o.o.  
Slandrova 4  
1000 Ljubljana  
Tel.: +386 1 5633060  
Fax: +386 1 5633061

**TR**

GROME İc ve Dis Ticaret Ltd. Sti.  
Bagdat Cad. Ugras Parlar Is  
Merkezi No: 305, B Blok D: 12 - 15  
34846 Cevizli - Maltepe-Istanbul  
Tel.: +90 216 4412370  
Fax: +90 216 3706174

**UA**

Представитель  
Grohe AG  
в УКРАЇНЕ  
Н.И. Топольская  
03151 Киев  
тел.: +38 44 2751734  
факс: +38 44 2499458

**USA**

GROHE America Inc.  
241 Covington Drive  
Bloomington  
Illinois, 60108  
Tel.: +1 630 5827711  
Fax: +1 630 5827722

**Near and Middle East**

**Area Sales Office:**  
GROME Marketing  
(Cyprus) Ltd.  
11, Lemesou Avenue  
Galatariotis Building 1st floor  
2112 Aglanjia  
P.O. Box 27048  
1641 Nicosia  
Tel.: +357 22 465200  
Fax: +357 22 379188

**Far East Area Sales Office:**

GROHE Pacific Pte. Ltd.  
260 Orchard Road  
# 08-03/04 The Heeren  
Singapore 238855  
Tel.: +65 6738 5585  
Fax: +65 6738 0855

**GROHE**  
ENJOY WATER®