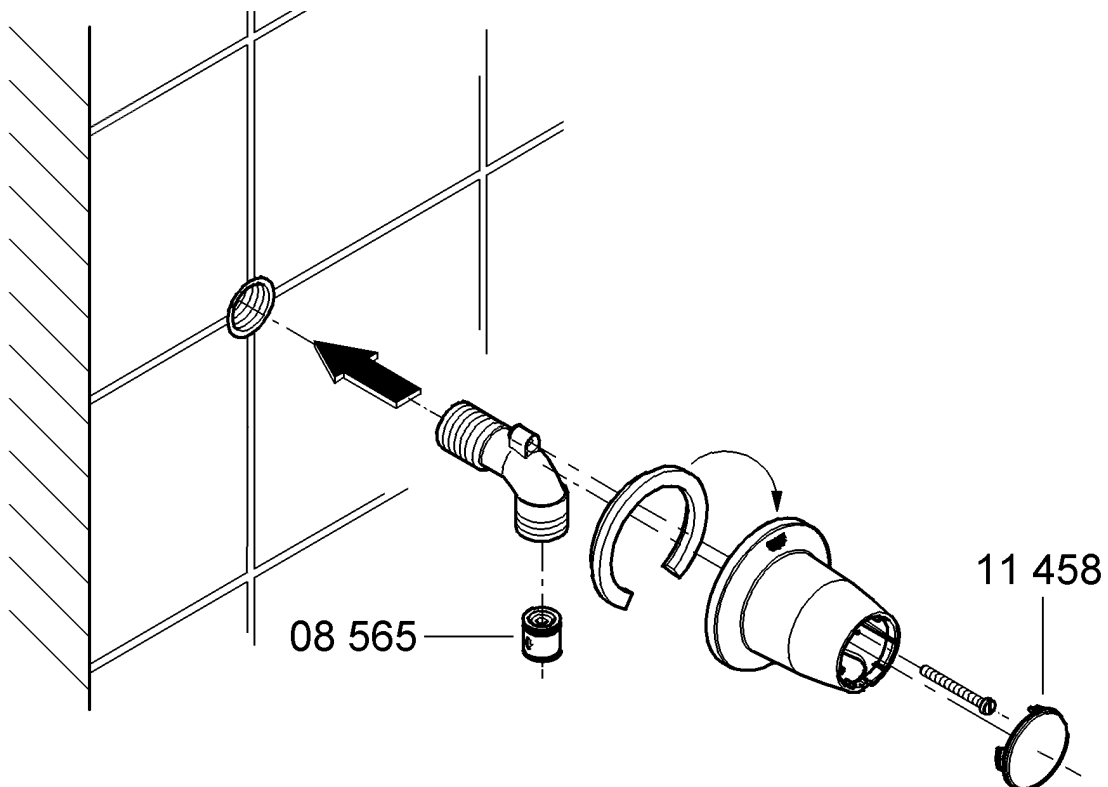
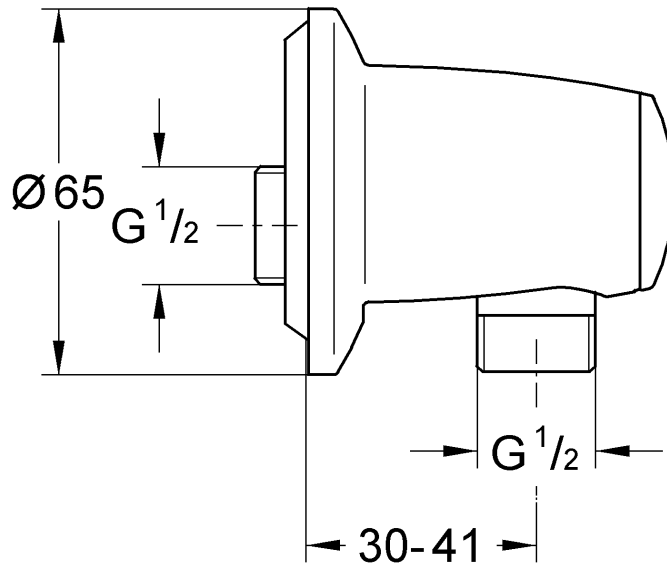




WATER TECHNOLOGY

28 405



94.113.131/ÄM 30 383/05.03



WATER TECHNOLOGY

28 406

