



ROBINSON WILLEY

THE HOTTEST NAME IN HEATING



SuperEco Charisma II Electric Chrome & Cosgrove Surround - Maple



SuperEco

Charisma II *electric*

# SuperEco

## Charisma II *electric*

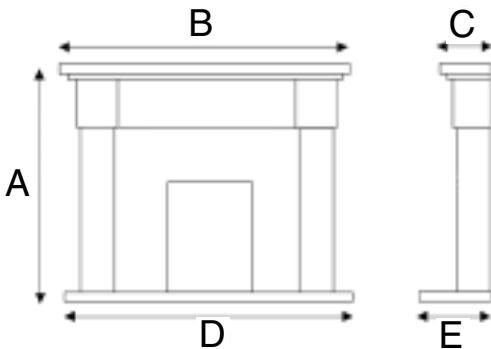
- Choice of 1kW or 2kW Heat Controls.
- LED Lights - Expected Lifespan of 50,000 hours.
- 100% Efficient at point of use.
- Top position Heat Control.
- Thermostat & Overheat Safety Cut Out.
- Quick Fit Kettle Connection with 3m of White Cable.
- One Piece Coal Bed (No Loose Coals).
- BEAB & CE Approved.



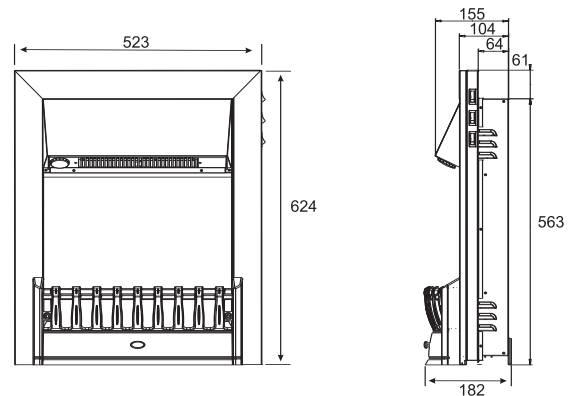
SuperEco Charisma II Electric Brass & Cosgrove Surround - Oak

### Technical Information

Surround Dimensions				
A	B	C	D	E
1085	1211	195	1218	350



All measurements are in mm



Robinson Willey is registered firm of assessed capabilities to ISO 9001 quality system. All products are manufactured to BSI specification.

*In order to bring you improvement quickly, the manufacturer reserves the right to change design or specification without formal notice. Statutory rights of the consumer are not affected. Photographic reproduction is as accurate as the printing process allows. The information contained in this leaflet is intended as a guide only. Any work undertaken prior to the installation of the product should be carried out only with reference to the installation instructions.*

**Robinson Willey**  
**Bentleywood Way, Network 65 Business Park, Hapton, Burnley BB11 5ST.**  
**Sales Office: 01282 686791 Sales Fax: 01282 686799**  
**info@robinsonwilley.co.uk / www.robinsonwilley.co.uk**



### Warning

**All models conform to relevant safety standards but, during use, parts of the casing become hot. A suitable guard is therefore recommended where the very young or elderly are concerned.**



**ROBINSON WILLEY**

Robinson Willey is a Trading Division of the GDC Group Ltd