



Product: Q551.13

Solar Dial quartz controlled with battery reserve, 3 pin base.

Form 13 version, gives one ON and one OFF operation per day. The ON operation always tracks SUNSET while the OFF operation can be made either to track SUNRISE, or to occur at a fixed time between 8:30pm and 1:00am.

The Solar Time Switches are ideal for applications which require control linked to sunset and sunrise times. Popular applications for solar time switches include street, stairwell and security lighting.

Cost Savings: Once set, the switches track SUNSET and SUNRISE throughout the year, without the need to sense light levels. This avoids the installation and maintenance problems associated with photosensing devices and means they can be left to operate unattended for years.

### Product Specification

Programming	24 hour programme with 1 ON and 1 OFF operations per day
Display	Solar Dial
Mounting	Surface mounting
Current Rating	SPST: 20amp resistive
Supply	230V, 50/60 Hz a.c.
Base Type	3 Pin
Reserve	100 hrs (providing battery has been charged for 300 hrs)
Day Omission	none
Temp Override Facility (Manual Button)	Advance to "OFF", when program "ON" and will remain "OFF" unit next "ON" operation and vice versa
Cable Size	6.0mm <sup>2</sup>
Timing Accuracy	5 mins/year
Power Consumption	0.6W at 230V
Ambient Temperature Range	Designed to operate over a temperature range of 0°C to 50°C continuous
Live Parts Protection	This timer is totally protected by its enclosure
Dirt Protection	Normal domestic dust deposits only
Moisture Protection	Ordinary: has no special protection against moisture
Shock Protection	Class 1 (Product must be earthed)
Dial Calibration	15 min divisions
Setting Accuracy	+/- 3 minutes
BEAB Approval	Yes
Dimensions	Height (wall mounted) 136mm, width 105.7mm, projection 82mm, (Total height 146.5mm)

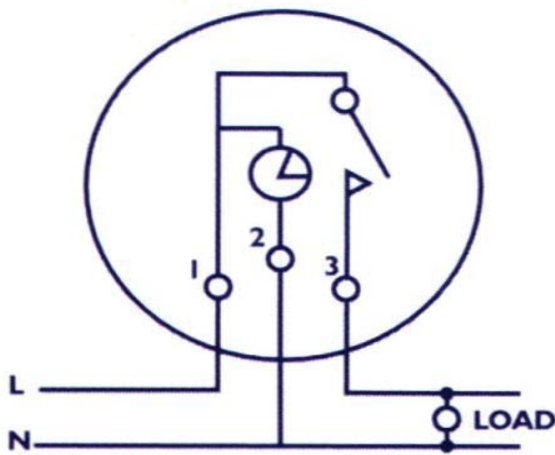
Product: Q551.13

Because the times of SUNRISE and SUNSET vary with latitude, four standard dials are available for use in the UK, each corresponding to a geographical zone. (See diagram below).

Setting adjustments may be made to accommodate longitudinal variations.

Other dials are available on request for applications outside the British Isles.

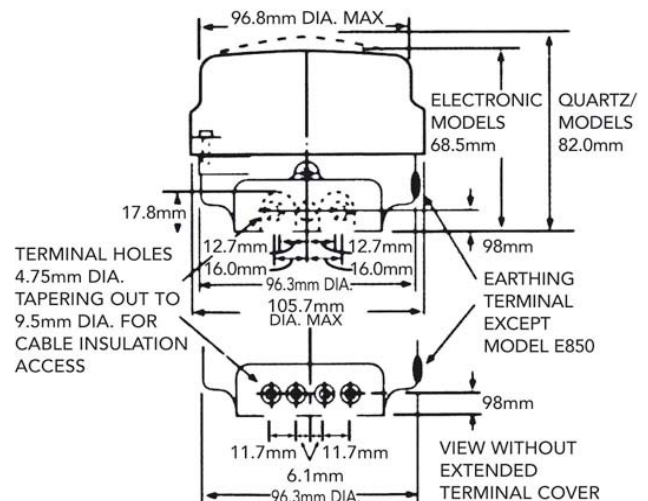
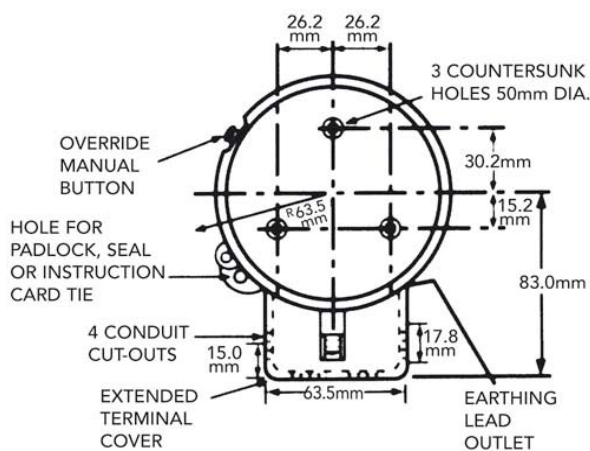
### Wiring Diagram



### Solar Map



### Dimensions



switched on solutions

# SANGAMO

Sales Office Direct Line : 0845 006 6206 Fax: 01475 744567 Email: enquiries@sangamo.co.uk