



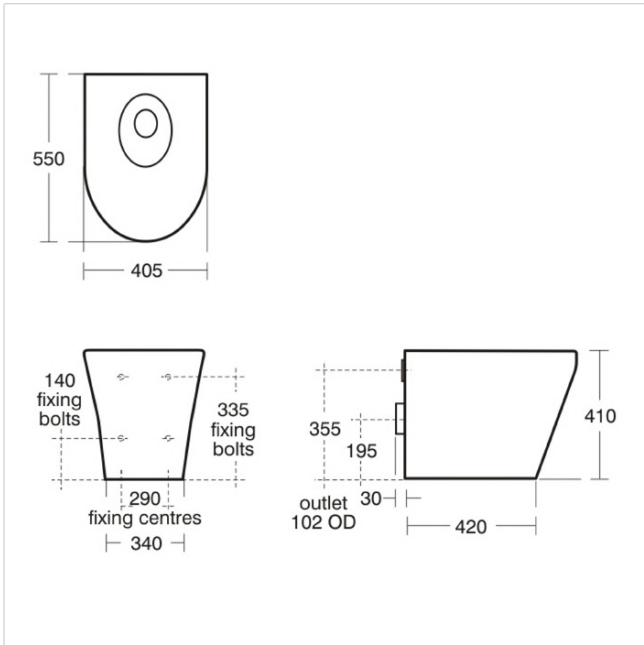
Sentry WC Pan, Solid Surface/Vitreous China

Illustrated

- S3019** Sentry back to wall WC pan with horizontal outlet
- S3622** Conceala 2 cistern 6 litre single flush valve side supply and internal overflow, alternative height plastic flushbends
- S4445** Finger push button non-Projecting, stainless steel prison pattern

Configuration options

- S3617** Conceala 2 cistern 6 litre single flush syphon side supply and internal overflow plastic flushbend, CP lever
- S4489** Finger push button pneumatic, stainless steel body for 400mm maximum wall thickness
- S4512** Finger push button pneumatic, stainless steel for 31mm maximum thickness partition
- S4300** Panekta outlet Connector, finned pattern to convert horizontal outlet WCs to S or turned P trap
- S4305** Panekta outlet Connector, finned pattern to convert horizontal outlet WCs to P trap



Material

Vitreous China and Solid Surface

Special Notes

WC pan to be bolted to back wall and affixed in position using suitable bonding agent (not supplied). Other push buttons are available but only the version in the illustrated list is HM prison compliant.

Weights

- S3019 42.80KG
- S3622 2.66KG
- S4445 1.90KG

Colours

Dune (CN)

Frequently used applications

- | | |
|--------------------|-------------|
| Factory | Hotels |
| Public Building | Retail |
| Sports and Leisure | Vandal Risk |