



Side Action Monobloc Sink Mixer

Strata Side Action Monobloc Kitchen Mixer

GENERAL INFORMATION

Size	Pattern No.	Pack 1 Qty	Code	Barcode
NA	Side Action Monobloc Kitchen Mixer	1	4K6007	5022050239952

CARE & MAINTENANCE

Care

To maintain the surface finish, simply wipe occasionally with a mild detergent on a soft damp cloth. Dry, using a soft cloth. Never use abrasive cleaners or chemical household cleaners and avoid contact with concentrated bleach.

Maintenance

No regular maintenance is required for this product.

In case of complete replacement Pegler recommend service valves should be fitted to the supply inlets.

For any further help or replacement parts please contact the Service Support Team on 0800 1560050.

GUARANTEE

Luxury Taps and Mixers

Pegler Yorkshire Customcare 10 Year Guarantee - Terms and Conditions

Product are subject to a 10 year guarantee that is between Pegler Yorkshire and the final purchaser of the product.

The guarantee is subject to proof of purchase being supplied.

This guarantee does not affect any statutory rights the consumer may have in law.

The guarantee covers manufacturing or material defects and does not cover parts subject to normal wear and tear.

Finishes other than chrome are covered for a period of 3 years only and the guarantee on the finish is subject to the cleaning instructions being followed.

The guarantee is not applicable where the product is fitted contrary to the conditions in the fitting instructions.

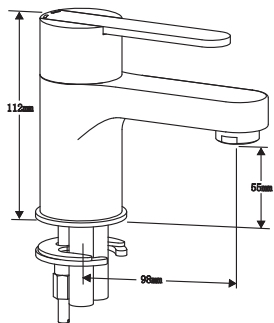
Abusive behaviour and accidental damage to the product are not covered by this guarantee.

The extent of this liability is limited to the cost of the replacement of the defective item and not to fitting or consequential damages.

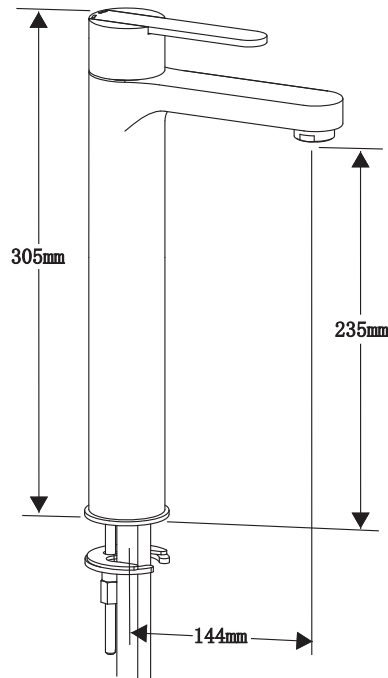
APPROVALS



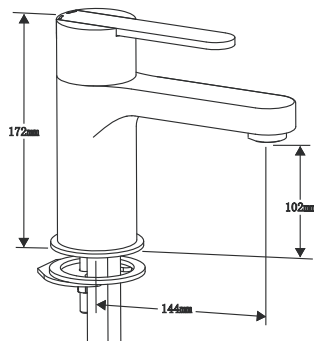
[WRAS](#)



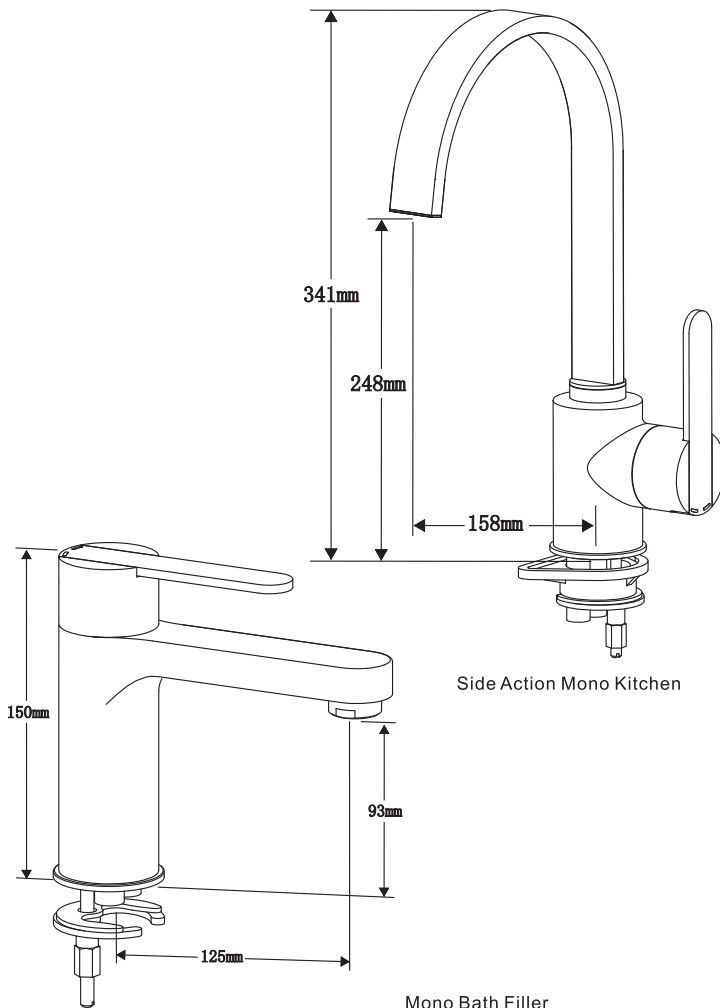
Mini Mono Basin



Tall Mono Basin

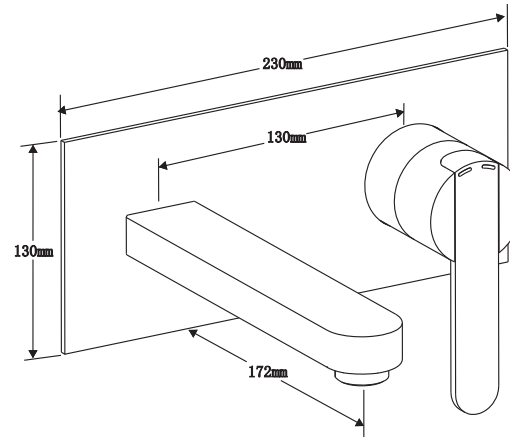


Mono Basin

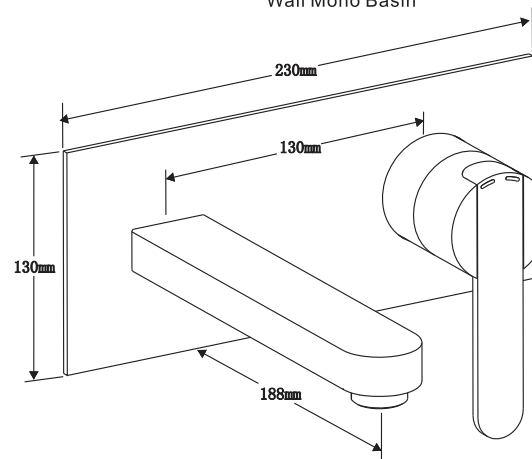


Side Action Mono Kitchen

Mono Bath Filler



Wall Mono Basin



Wall Mono Bath Filler

Water Regulations Requirements

It is important to ensure that the water supplies to your taps and mixers are connected in accordance with the water regulations (WRAS) requirements and good plumbing practice.

It is Pegler's recommendation and good plumbing practice that the supplies of hot and cold water to the products should be at equal (balanced) pressures in order to provide a consistent flow. Supplies should be from a common source, either mains or tank fed. If supplies are not equal pressures then non return valves should be fitted (not supplied).

This products has been designed to function on all types of water systems

Please Note: If a pump is to be installed to boost gravity supplies please refer to the pump manufactures instructions.

The hot and cold inlets for any of the products are hot on the left and cold on the right when viewed from the front of the fitting. It is our recommendation and good plumbing practice that a service valve also (Pegler PB300) should be installed upstream in the inlet supply lines.

Pipe Connections

IMPORTANT. Before making any inlet pipe connections all supplies **MUST** be thoroughly flushed to remove any debris. Failure to do so could result in damage or low flow from the mixing valve. It is a requirement of Byelaw 55 of the Water Fittings Byelaw Scheme that this function is undertaken before making any pipe connections to supplies.

General Installation Notes

- Care must be taken during installation to prevent any risk of damage to the product or injury to installer.
- Installation must be carried out by a qualified and competent person and in accordance with the instructions supplied.
- Installations must comply with all Local and National Water Authority Regulations, and Building/Plumbing Regulations.
- Please ensure that you have read and understood all sections of this manual before Installation.

Water Supply Pressures

Leger fittings have been designed to function under the following conditions:

- Minimum supply pressure 0.2 bar.
- Maximum supply pressure 6.0 bar.

Generous flow rates are achieved at pressures as low as 0.2 bar. At high pressures it may be necessary to reduce excessive flow rates by fitting stop or servicing valve in the supply line before the mixer or tap. These stop valves facilitate ease of maintenance should it be Necessary.

Please Note: The mono basin mixer L565 is supplied with flow straightener fitted and an alternative aerator nozzle packed separately which can be fitted at high pressures to reduce Splashing.

Installation

Mini Mono Basin / Mono Basin / Tall Mono Basin

- i) Screw flexible inlet tails into body and tighten up ensuring O ring seal is firmly in place and leak proof
 - ii) Locate and screw in place the securing/clamping studs
 - iii) Locate seal under flange (or base of mono mixer) before placing fittings through hole in ware
- Please note:** For tall mono basin, ensure the additional extension piece is located correctly to the main tap body
- iv) Place clamping washer over securing/clamping studs and locate around inlet tails on the underside of the ware
 - v) Place clamping plate on securing/clamping studs then place fixing nut onto the studs and tighten firmly up to the base of ware / worktop locating and aligning the fitting on top of the ware
 - vi) Thoroughly flush pipework and connect tap to the supplies ensuring hot is on the left and cold on the right when viewing the mixer from the front.
 - vii) Connect to the water supplies; ensure that the inlet tails seals are fitted correctly.
 - viii) Turn on water supplied and check for leaks.
 - ix) Insert click waste into hole in basin, ensuring a rubber seal is above and below the ware. A suitable bead of silicon can also be used to aid sealing of unit.
 - x) Tighten in place using brass backnut before connecting to appropriate waste pipes.
 - xi) Connect to water supply, turn on water supplies and check for leaks on tap and waste.

Wall Mounted Mono Basin / Mono Bath

- i) Make a suitable size hole in the wall or cavity. This should only be as big as the brass valve and not excessive.

Please note: offer the chromed wall plate up to the wall to ensure that there will be enough tiled wall all the way around the valve to sit the plate on later in the installation

- ii) Locate the body of the fitting in the cavity or hole ensuring its location is held in place with suitable clamps or straps and that the fitting is horizontal and level

Please note: the tap spout has to be on the left side of the installation for the fitting to be used the way it has been designed

- iii) Connect water suppliers so product can be checked before continuing with installation.
- iv) Loosely locate handle on cartridge spindle and turn on water to ensure system if fully flushed of debris
- v) Remove handle
- vi) Cover the body of the fitting and cavity with the chromed wall plate, ensuring a suitable bead of silicon sealant is used to reduce the risk of wall getting in to the cavity from behind the wall plate
- vii) Re-locate the handle and tighten in place using screw under the lever.
- viii) Locate indice in hole under handle.
- ix) Push on chromed spout to the now exposed tubular outlet.
- x) Ensure chromed spout is located in place by tightening two screws on the underside.
- xi) Insert click waste into hole in basin, ensuring a rubber seal is above and below the ware. A suitable bead of silicon can also be used to aid sealing of unit.
- xii) Tighten in place using brass backnut before connecting to appropriate waste pipes.
- xiii) Connect to water supply, turn on water supplies and check for leaks on tap and waste.

Mono Bath

- i) Screw copper inlet tails into body and tighten up ensuring O ring seal is firmly in place and leak proof
- ii) Locate and screw in place the securing/clamping studs
- iii) Locate seal under flange (or base of mono mixer) before placing fittings through hole in ware
- iv) Place clamping washer over securing/clamping studs and locate around inlet tails on the underside of the ware
- v) Place clamping plate on securing/clamping studs then place fixing nut onto the studs and tighten firmly up to the base of ware / worktop locating and aligning the fitting on top of the ware
- vi) Thoroughly flush pipework and connect tap to the supplies ensuring hot is on the left and cold on the right when viewing the mixer from the front.
- vii) Connect to the water supplies; ensure that the inlet tails seals are fitted correctly.
- viii) Connect to water supply, turn on water supplies and check for leaks on tap and waste.

Mono Sink Mixer

i) Screw flexible inlet tails into body and tighten up ensuring O ring seal is firmly in place and leak proof. Screw in the clamping stud into the body and position rubber seal under the base of the mixer, position the mixer into the ware in the desired position ensuring lever movement is not obstructed

Please note: Ensure free movement of spout is adequate before clamping in position

ii) Thoroughly flush pipework and connect tap to the supplies ensuring hot is on the left and cold on the right when viewing the mixer from the front.

- iii) Connect to the water supplies; ensure that the inlet tails seals are fitted correctly
- iv) Connect to water supply, turn on water supplies and check for leaks on tap and waste.

Care & Maintenance

To maintain the surface finishes, simply wipe occasionally with a mild detergent on a soft damp cloth. Dry using a soft cloth, never use abrasive cleansers or chemical household cleaners, and avoid contact with concentrated bleach. Pegler Yorkshire products are manufactured to the highest of standards and should require little or no maintenance. In the unlikely event of any spare part requirements, please visit our website: www.pegleryorkshire.co.uk or contact your nearest stockist or the Pegler Yorkshire Sales Office, St Catherine's Avenue, Doncaster. DN4 8DF, telephone 0800 1560010, fax 0808 1561011 or the Pegler Yorkshire Technical Office on telephone 0800 1560050, fax 0808 1561012

Customer Reference Data

Date of Purchase.....

Supplier.....

Supplier Tel. No.....

Model Type.....

Installer.....

Installer Contact Details.....

Our brands:

terrier
HEATING SOLUTIONS

YORKSHIRE
SOLDER RING SOLUTIONS

Tectite
PUSH-FIT SOLUTIONS

XPress
PRESS-FIT SOLUTIONS

ENDEX
END FEED SOLUTIONS

KUTERLITE
PLUMBING SOLUTIONS

PRESTEX
DOMESTIC VALVE SOLUTIONS

PEGLER
COMMERCIAL VALVE SOLUTIONS

meibes
SOLAR SOLUTIONS

PERFORMA
UTILITY TAP AND MIXER SOLUTIONS

francis pegler
LUXURY TAP SOLUTIONS

Aalberts Industries



Pegler Yorkshire

UK Sales

Free Phone: 0800 156 0010
Free Fax: 0808 156 1011
Email: uk.sales@pegleryorkshire.co.uk

Export

Tel: +44 (0) 1302 855 656
Fax: +44 (0) 1302 730 513
Email: export@pegleryorkshire.co.uk

Technical Help

Free Phone: 0800 156 0050
Free Fax: 0808 156 1012
Email: tech.help@pegleryorkshire.co.uk

Brochure Hotline

Free Phone: 0800 156 0020
Free Fax: 0808 156 1011
Email: info@pegleryorkshire.co.uk

www.pegleryorkshire.co.uk

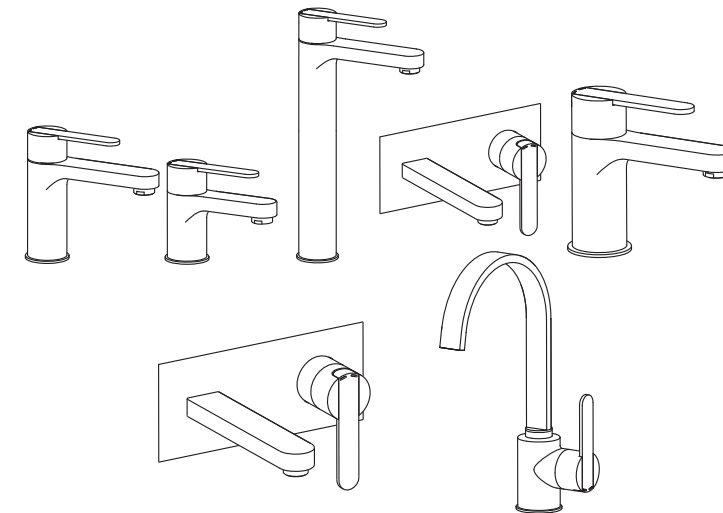
Pegler Yorkshire Group Limited
St. Catherine's Avenue, Doncaster,
South Yorkshire, DN4 8DF, England.
Tel: 0844 243 4400 Fax: 0844 243 9870

Registered in England Company No. 00401507
Registered Office: Haigh Park Road, Stourton, Leeds,
West Yorkshire, LS10 1RT, England.

All brand names and logo styles are registered trademarks.
Maintaining a policy of continual product development,
Pegler Yorkshire reserves the right to change specifications,
design and materials of products listed in this publication
without prior notice.

Your Guide to the Installation, Care and maintenance of

Strata



- | | |
|--------|-----------------------------------------|
| 4K6001 | Strata mono basin with click waste |
| 4K6002 | Strata mini mono basin with click waste |
| 4K6003 | Strata tall mono basin with click waste |
| 4K6004 | Strata wall basin with click waste |
| 4K6005 | Strata mono bath |
| 4K6006 | Strata wall bath |
| 4K6007 | Strata side action mono kitchen |

francis
pegler



Pegler Yorkshire

Pegler Limited, St Catherine's Avenue, Doncaster DN4 8DF
Telephone 01302 560560, Fax 01302 560109

For latest prices and delivery to your door visit MyTub Ltd - 0845 303 8383 - www.mytub.co.uk - info@mytub.co.uk

