



## Kubix Flush Plate

### GENERAL INFORMATION

Size	Pattern No.	Pack 1 Qty	Code	Barcode
na	Flush Plate Polished Chrome	1	4P9057	5022050315045
na	Flush Plate Matt Chrome	1	4P9058	5022050315236

### CARE & MAINTENANCE

#### Care

To maintain the surface finish, simply wipe occasionally with a mild detergent on a soft damp cloth. Dry, using a soft cloth. Never use abrasive cleaners or chemical household cleaners and avoid contact with concentrated bleach.

#### Maintenance

No regular maintenance is required for this product.

In case of complete replacement Pegler recommend service valves should be fitted to the supply inlets.

For any further help or replacement parts please contact the Service Support Team on 0800 1560050.

### GUARANTEE

#### Bathroom Systems

#### Pegler Yorkshire Customcare 2 Year Guarantee - Terms and Conditions

Product are subject to a 2 year guarantee that is between Pegler Yorkshire and the final purchaser of the product.

The guarantee is subject to proof of purchase being supplied.

This guarantee does not affect any statutory rights the consumer may have in law.


The guarantee covers manufacturing or material defects and does not cover parts subject to normal wear and tear.

The guarantee is not applicable where the product is fitted contrary to the conditions in the fitting instructions.

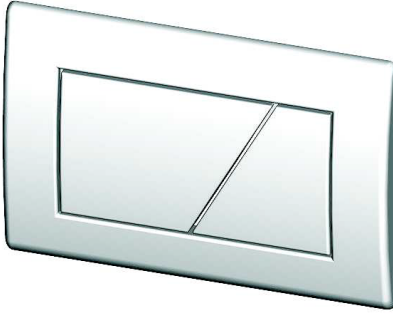
Abusive behaviour and accidental damage to the product are not covered by this guarantee.

The extent of this liability is limited to the cost of the replacement of the defective item and not to fitting or consequential damages.

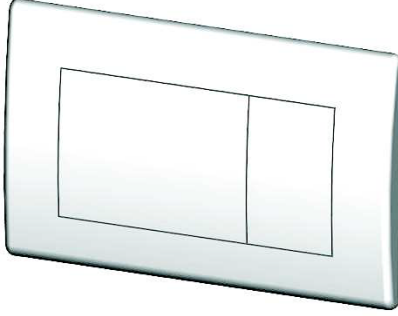
# Mounting instructions for push buttons



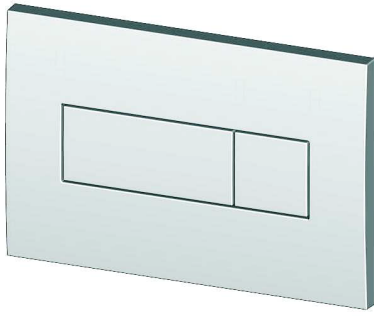
- 4P9051 - PR40C
- 4P9052 - PR40W



- 4P9053
- 4P9054

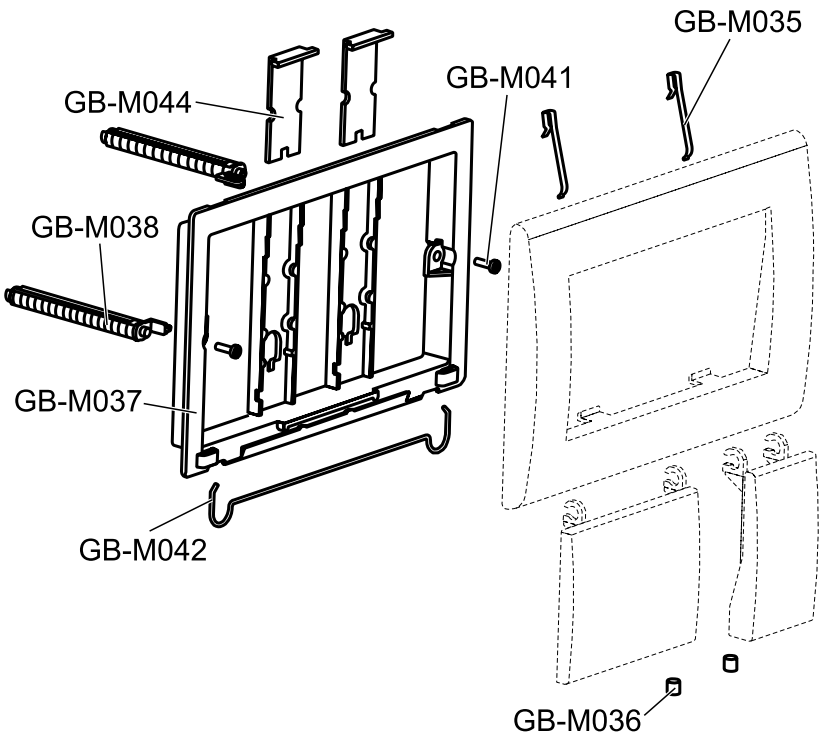
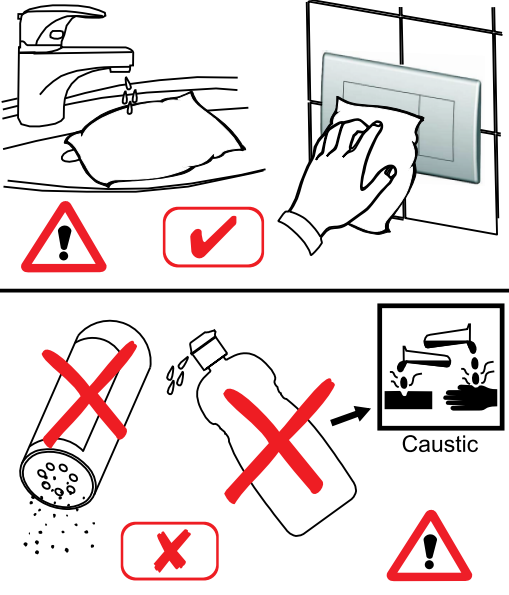


- 4P9055 - PR41C
- 4P9056 - PR41W



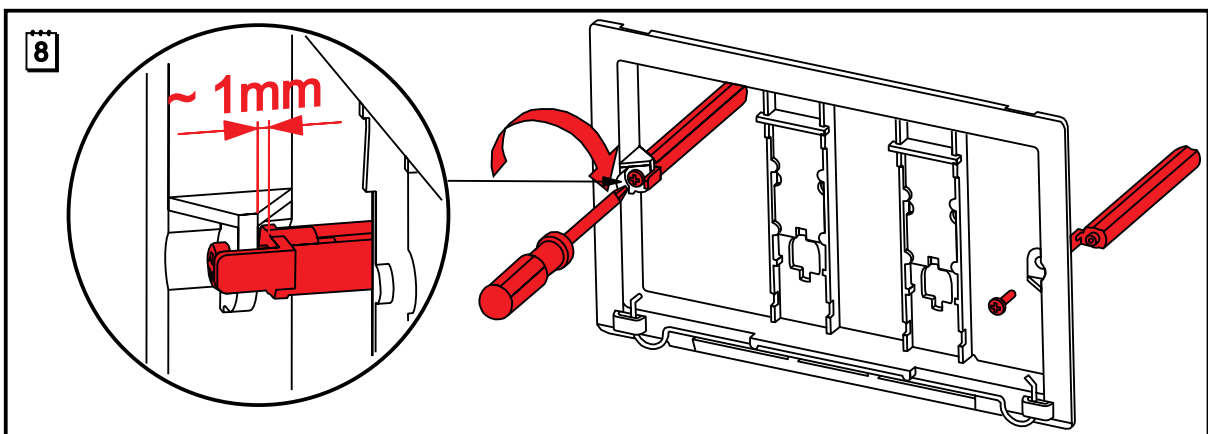
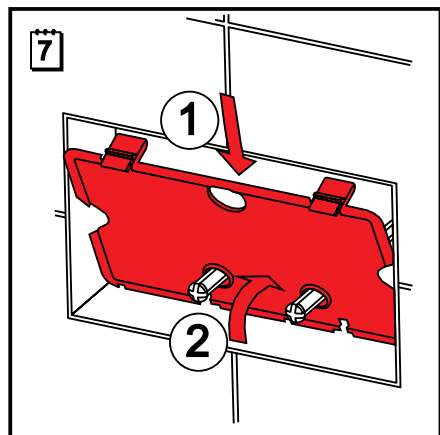
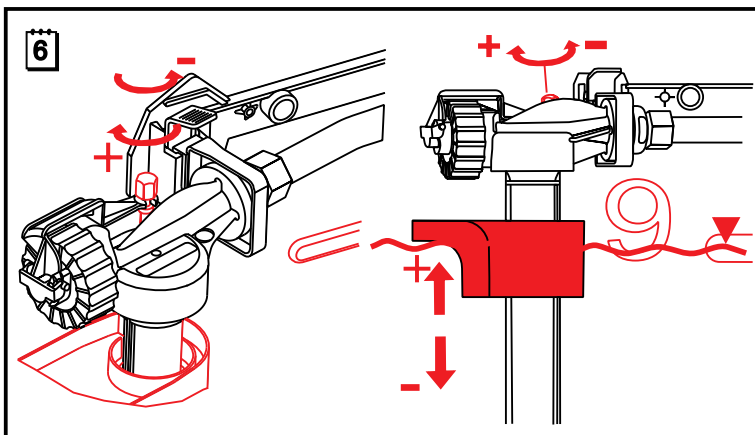
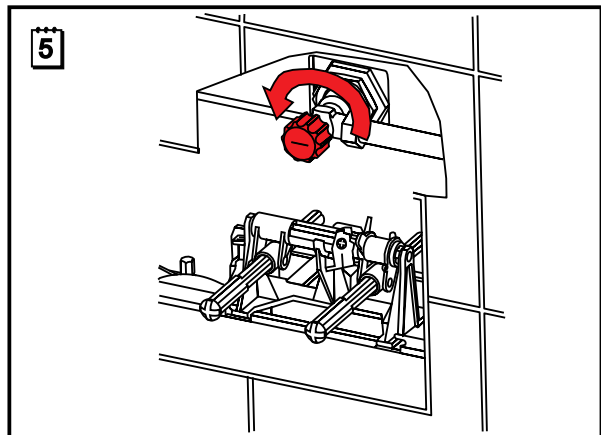
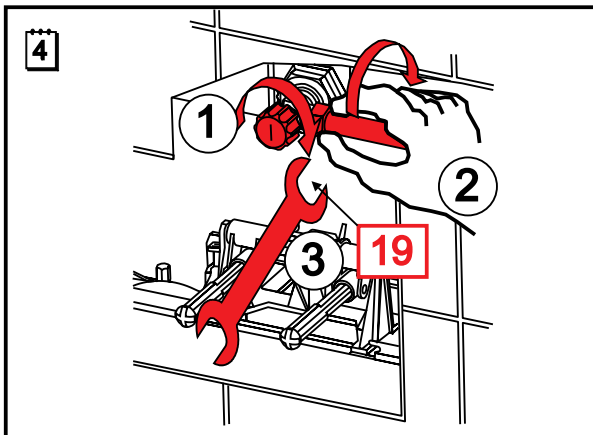
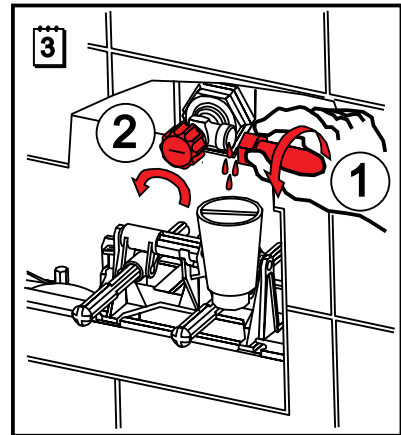
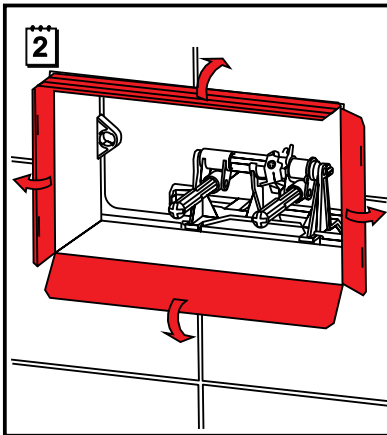
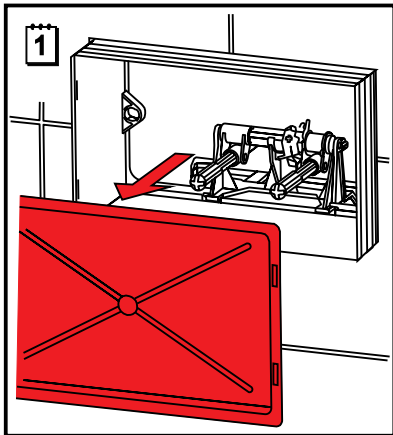
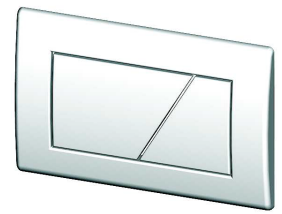
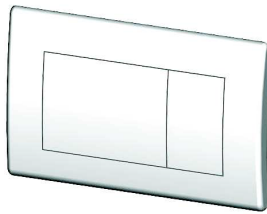
- 4P9057 - PR42C
- 4P9058 - PR42W

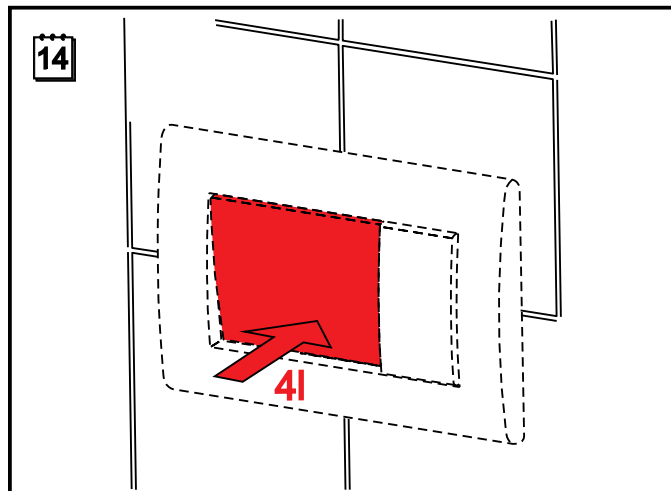
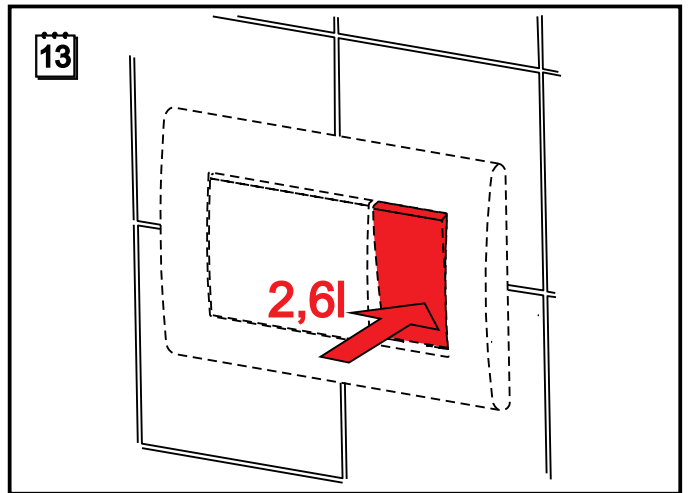
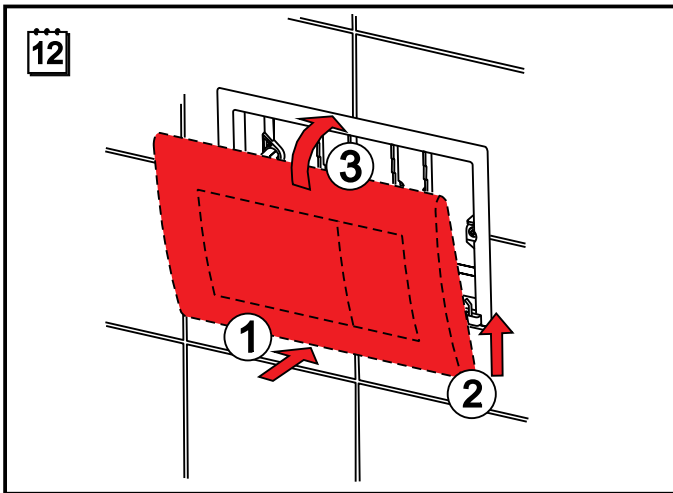
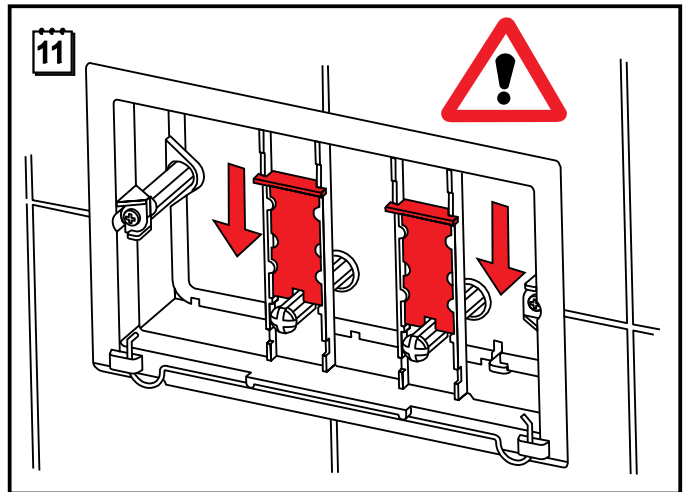
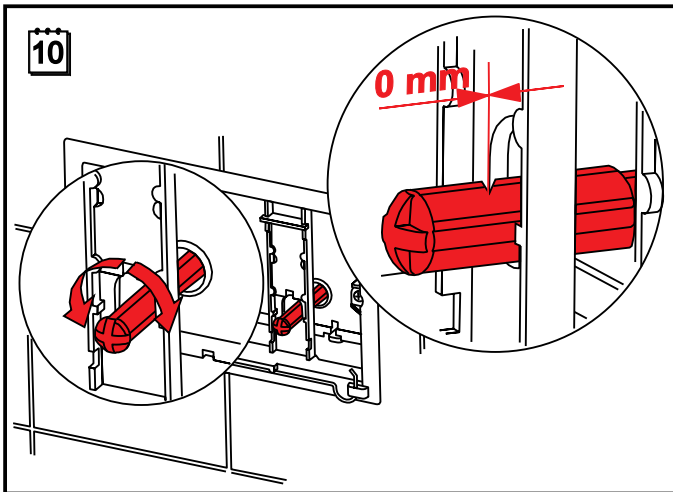
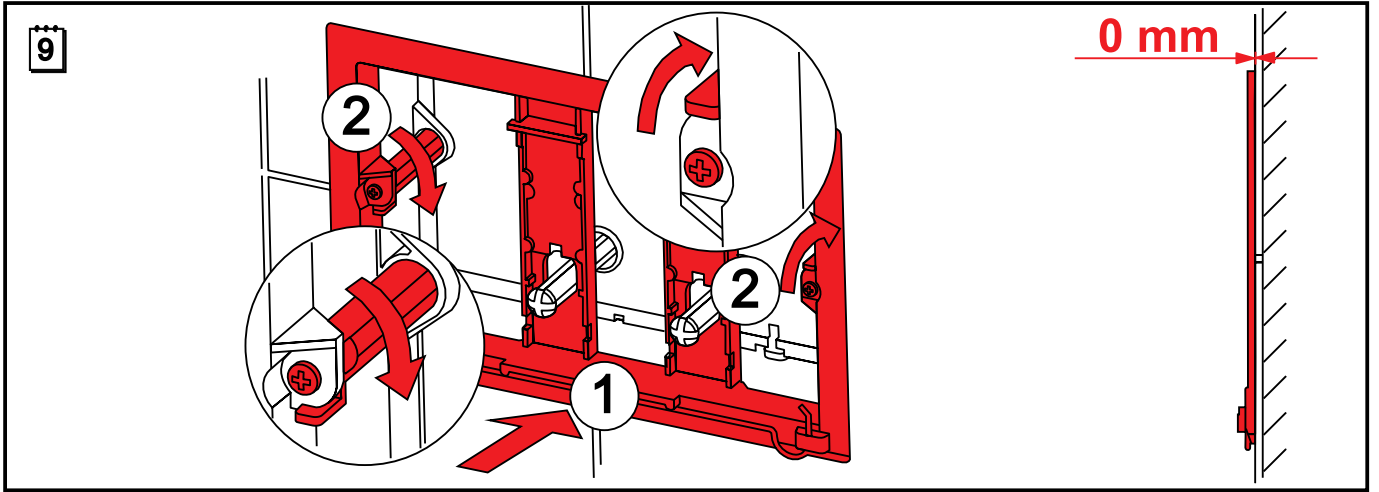
Spare parts

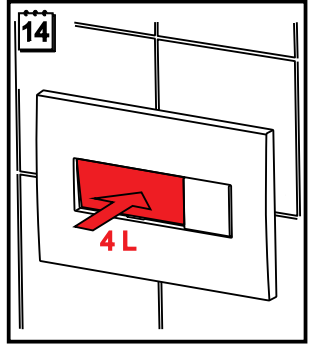
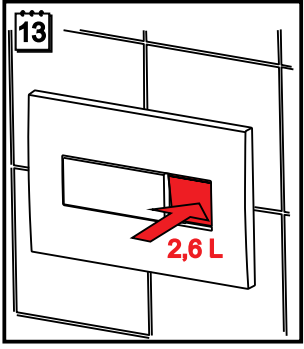
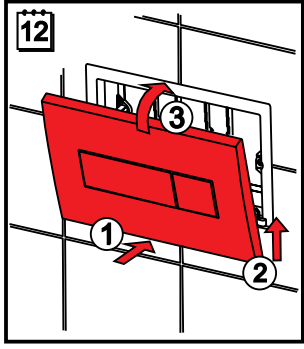
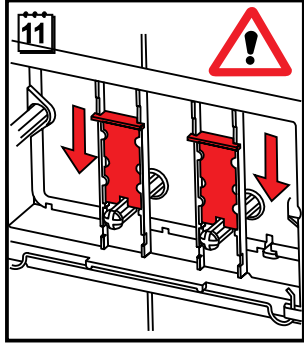
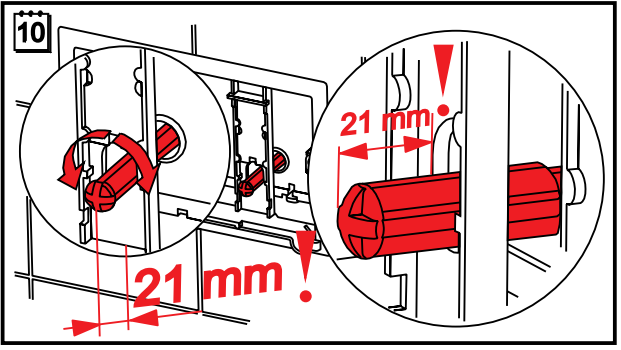
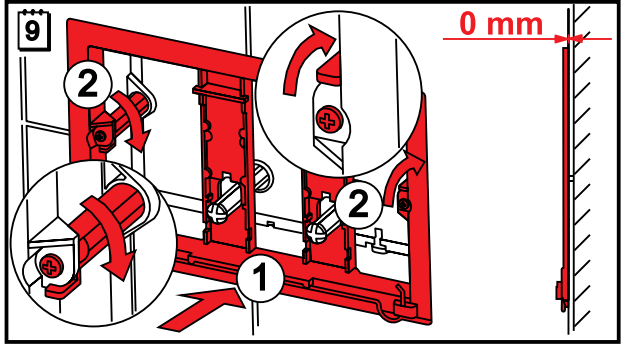
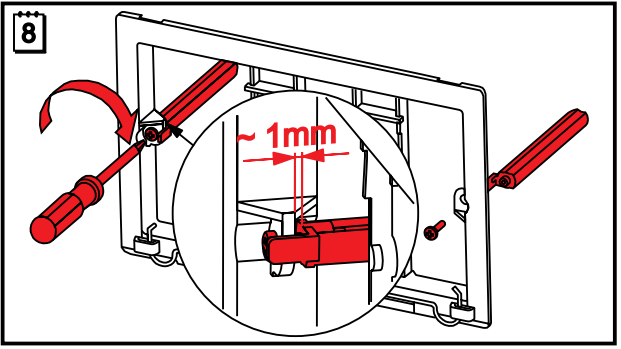
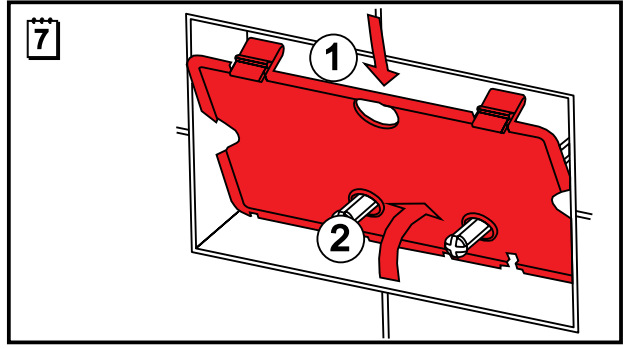
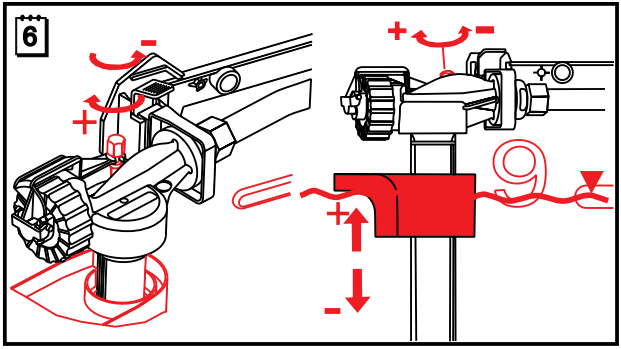
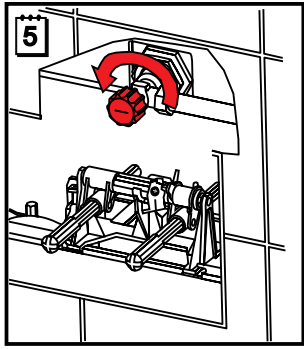
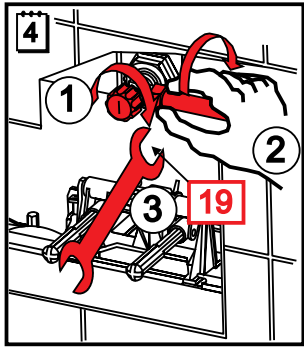
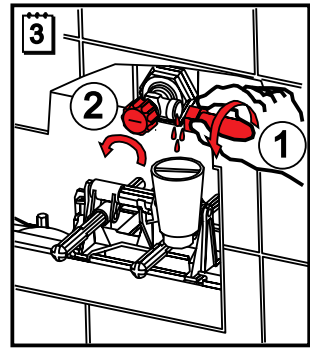
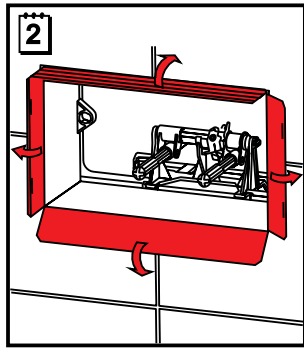
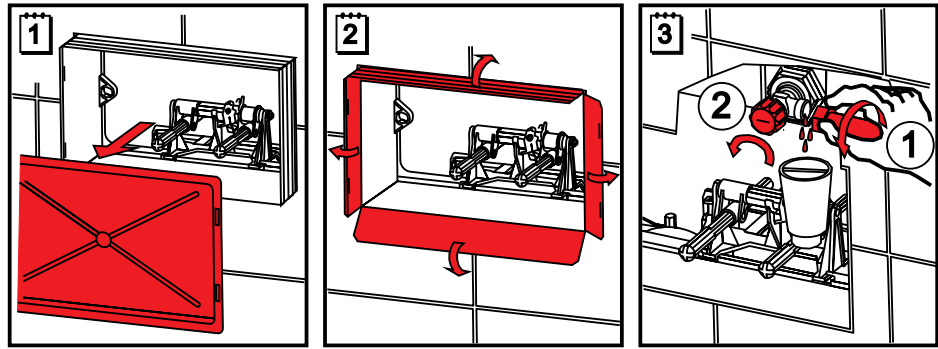
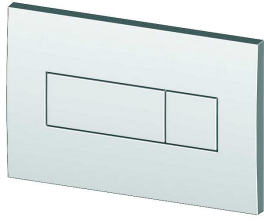



**ATTENTION!**

1. Use only soft, damp cloth to clean the visible parts. Use detergents that are not harmful to skin such as a dishwashing liquid added to warm water.
2. **Unsuitable cleaning agents may damage the material surface!** Do not use any cleaning agents containing chlorine or acids, abrasive or caustic cleaning agents.







ST. CATHERINE'S AVENUE, DONCASTER, SOUTH YORKSHIRE DN48DF  
 TECHNICAL HELP : 0800 1560050  
 TECHNICAL FAX : 0800 1561012

