



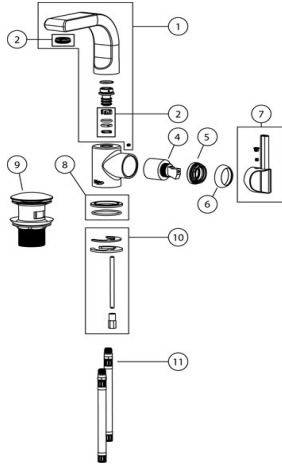
Monobloc Basin Mixer

Panacea Monobloc Basin Mixer with Click Waste

GENERAL INFORMATION

| Size | Pattern No. | Pack 1 Qty | Code | Barcode |
|------|----------------------|------------|--------|---------------|
| na | Monobloc Basin Mixer | 1 | 4P2001 | 5022050200624 |

SPARES



| Pattern / Size | Description | Code | Barcode | Date From | Date To |
|---------------------------|------------------------|--------|---------------|------------|---------|
| Monobloc Basin Mixer / na | SPT44CP Spout Assembly | 854817 | 5022050352170 | 01/01/1900 | current |

| Pattern / Size | Description | Code | Barcode | Date From | Date To |
|---------------------------|-------------|--------|---------------|------------|---------|
| Monobloc Basin Mixer / na | OA12 Outlet | 854819 | 5022050352279 | 01/01/1900 | current |

| Pattern / Size | Description | Code | Barcode | Date From | Date To |
|---------------------------|--------------------|--------|---------------|------------|---------|
| Monobloc Basin Mixer / na | SK24 Head Seal Kit | 854580 | 5022050329578 | 01/01/1900 | current |

| Pattern / Size | Description | Code | Barcode | Date From | Date To |
|---------------------------|--------------------------|--------|---------------|------------|---------|
| Monobloc Basin Mixer / na | HK114 Headwork Cartridge | 854773 | 5022050350787 | 01/01/1900 | current |

| Pattern / Size | Description | Code | Barcode | Date From | Date To |
|---------------------------|-------------|--------|---------------|------------|---------|
| Monobloc Basin Mixer / na | H10 Head | 854767 | 5022050350695 | 01/01/1900 | current |

| Pattern / Size | Description | Code | Barcode | Date From | Date To |
|---------------------------|-----------------------|--------|---------------|------------|---------|
| Monobloc Basin Mixer / na | HKS37 Headwork Shroud | 854768 | 5022050350183 | 01/01/1900 | current |

| Pattern / Size | Description | Code | Barcode | Date From | Date To |
|---------------------------|--------------------------|--------|---------------|------------|---------|
| Monobloc Basin Mixer / na | HD156 Handle with Indice | 854769 | 5022050350244 | 01/01/1900 | current |

| Pattern / Size | Description | Code | Barcode | Date From | Date To |
|---------------------------|-------------|--------|---------------|------------|---------|
| Monobloc Basin Mixer / na | FL41 Flange | 854599 | 5022050232779 | 01/01/1900 | current |

| Pattern / Size | Description | Code | Barcode | Date From | Date To |
|---------------------------|-----------------|--------|---------------|------------|---------|
| Monobloc Basin Mixer / na | CW1 Click Waste | 854493 | 5022050224705 | 01/01/1900 | current |

| Pattern / Size | Description | Code | Barcode | Date From | Date To |
|---------------------------|------------------|--------|---------------|------------|---------|
| Monobloc Basin Mixer / na | FP55 FIXING PACK | 854407 | 5013866080050 | 01/01/1900 | current |

| Pattern / Size | Description | Code | Barcode | Date From | Date To |
|---------------------------|-----------------------|--------|---------------|------------|---------|
| Monobloc Basin Mixer / na | IT16 INLET TAILS PAIR | 854408 | 5013866080067 | 01/01/1900 | current |

CARE & MAINTENANCE

Care

To maintain the surface finish, simply wipe occasionally with a mild detergent on a soft damp cloth. Dry, using a soft cloth. Never use abrasive cleaners or chemical household cleaners and avoid contact with concentrated bleach.

Maintenance

No regular maintenance is required for this product.

In case of complete replacement Pegler recommend service valves should be fitted to the supply inlets.

For any further help or replacement parts please contact the Service Support Team on 0800 1560050.

Luxury Taps and Mixers

Pegler Yorkshire Customcare 10 Year Guarantee - Terms and Conditions

Product are subject to a 10 year guarantee that is between Pegler Yorkshire and the final purchaser of the product.

The guarantee is subject to proof of purchase being supplied.

This guarantee does not affect any statutory rights the consumer may have in law.

The guarantee covers manufacturing or material defects and does not cover parts subject to normal wear and tear.

Finishes other than chrome are covered for a period of 3 years only and the guarantee on the finish is subject to the cleaning instructions being followed.

The guarantee is not applicable where the product is fitted contrary to the conditions in the fitting instructions.

Abusive behaviour and accidental damage to the product are not covered by this guarantee.

The extent of this liability is limited to the cost of the replacement of the defective item and not to fitting or consequential damages.

Installation

Mono Side Action Kitchen Mixer

- i) Screw flexible inlet tails into body and tighten up ensuring o ring seal is firmly in place and leak proof. Screw in the clamping stud into the body and position rubber seal under the base of the mixer, then position the mixer into the ware in desired position ensuring lever movement is not obstructed.

Please note: Ensure free movement of spout is adequate before clamping in position.

- ii) Thoroughly flush pipework and connect tap to the supplies ensuring hot is on the left and cold on the right when viewing the mixer from the front.
- iii) Connect to the water supplies; ensure that the inlet tails seals are fitted correctly.
- iv) Connect to water supply, turn on water supplies and check for leaks on tap and waste.

Mono Basin/Mini Mono Basin/Tall Mono Basin

- i) Screw flexible inlet tails into body and tighten up ensuring O ring seal is firmly in place and leak proof
- ii) Locate and screw in place the securing/clamping studs
- iii) Locate seal under flange (or base of mono mixer) before placing fittings through hole in ware

Please note: For tall mono basin, ensure the additional extension piece is located correctly to the main tap body

- iv) Place clamping washer over securing/clamping studs and locate around inlet tails on the underside of the ware
- v) Thoroughly flush pipework and connect tap to the supplies ensuring hot is on the left and cold on the right when viewing the mixer from the front
- vi) Connect to the water supplies; ensure that the inlet tails seals are fitted correctly.
- vii) Insert 'click' waste into hole in basin, ensuring a rubber seal is above and below the ware. A suitable bead of silicon can also be used to aid sealing of unit
- viii) Tighten in place using brass backnut before connecting to appropriate waste pipes
- ix) Connect to water supply, turn on water supplies and check for leaks on tap and waste.

2 Hole Bath Filler/4 Hole Bath Shower Mixer

- i) Identify locations for 2 sidevalves and central spout it is advised that there is no more than 180mm between centre location of holes
- ii) Ensure flexible hose connections from sidevalves to spout will reach.
- iii) Position sidevalve bodies up through holes in ware.
- iv) Position O ring seals over spindles and position on ware.
- v) Locate loose flanges (or bases) then locate the O ring before ensuring they are positioned in the grooves under the flange.
- vi) Screw down main chrome body/seating blocks ensuring that base flange and chrome body/seating blocks are located together via exposed pin.
- vii) With the chrome body/seating blocks now located on the threads the sidevalves should now no longer drop through the holes in the ware.
- viii) Check again the flexible hoses can reach from sidevalves to central hole where spout is to be located.
- ix) First screw threaded stud into base of spout, then screw flexible inlet hoses into body and tighten up ensuring 'O' ring seal is firmly in place and leak proof.
- x) Lower spout complete with stud and flexible hoses through spout O ring seal, spout base then hole into ware ensuring that separate spout base and O ring seal are positioned correctly.
- xi) Place fibre washer (or cushioning washer) over fixing bolt and position on underside of ware.
- xii) Place clamping plate onto fixing bolt ensuring that inlet tails are positioned in the cut outs in the plate.

Care & Maintenance

To maintain the surface finishes, simply wipe occasionally with a mild detergent on a soft damp cloth. Dry using a soft cloth, never use abrasive cleansers or chemical household cleaners, and avoid contact with concentrated bleach.

Pegler Yorkshire products are manufactured to the highest standards and should require little or no maintenance. In the unlikely event of any spare part requirements, please visit our website: or contact you're nearest stockist or the Pegler Yorkshire Sales Office, ST Catherine's Avenue, Doncaster. Dn4 8DF, telephone 0800 1560010, fax 0808 1561011 or Pegler Yorkshire Technical Office on telephone 0800 1560050, fax 0808 1561012 www.pegler.co.uk .

Customer Reference Data

Date of Purchase.....

Supplier.....

Supplier Tel. No.....

Model Type.....

Installer.....

Installer Contact Details.....

Our brands:

terrier

HEATING SOLUTIONS

YORKSHIRE

SOLDER RING SOLUTIONS

Tectite

PUSH-FIT SOLUTIONS

XPress

PRESS-FIT SOLUTIONS

ENDEX

END FEED SOLUTIONS

KUTERLITE

COMPRESSION SOLUTIONS

PRESTEX

DOMESTIC VALVE SOLUTIONS

PEGLER

COMMERCIAL VALVE SOLUTIONS

meibes

SOLAR SOLUTIONS

PERFORMA

UTILITY TAP AND MIXER SOLUTIONS

**francis
pegler**

LUXURY TAP SOLUTIONS



Pegler Yorkshire

UK sales

Free Phone: 0800 156 0010

Free Fax: 0808 156 1011

Email: uk.sales@peglyorkshire.co.uk

Export

Tel: +44 (0) 1302 855 656

Fax: +44 (0) 1302 730 513

Email: export@peglyorkshire.co.uk

Technical Help

Free Phone: 0800 156 0050

Free Fax: 0808 156 1012

Email: tech.help@peglyorkshire.co.uk

Brochure Hotline

Free Phone: 0800 156 0020

Free Fax: 0808 156 1011

Email: info@peglyorkshire.co.uk

www.peglyorkshire.co.uk

Pegler Yorkshire Group Limited

St. Catherine's Avenue, Doncaster,
South Yorkshire, DN4 8DF, England.

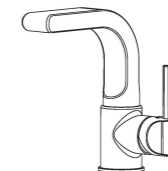
Tel: 0844 243 4400 Fax: 0844 243 9870

Registered in England Company No. 00401507
Registered Office: Haigh Park Road, Stourton, Leeds,
West Yorkshire, LS10 1RT, England.

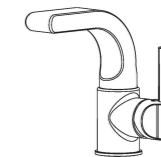
All brand names and logo styles are registered trademarks. Maintaining a policy of continual product development, Pegler Yorkshire reserves the right to change specifications, design and materials of products listed in this publication without prior notice.

Your Guide to the Installation, Care and Maintenance of

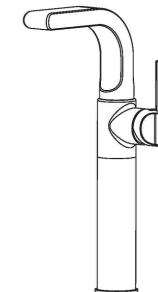
Panacea



4P2001 Mono Basin Mixer



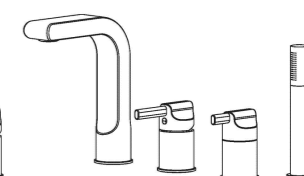
4P2002 Mini Mono Basin Mixer



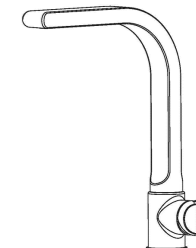
4P2003 Tall Mono Basin Mixer



4P2004 2 Hole Bath Filler



4P2005 4 Hole Bath Shower Mixer



4P2006 Mono Side Action Kitchen Mixer

francis
pegler

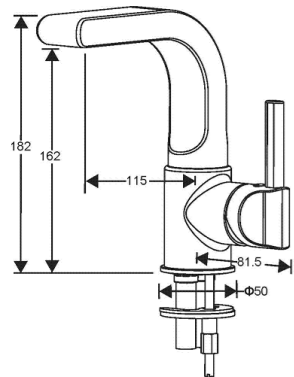


Pegler Yorkshire

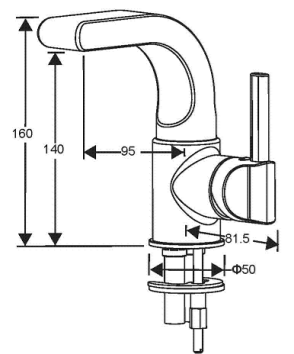
Pegler Yorkshire, St Catherine's Avenue, Doncaster DN4 8DF

For latest prices and delivery to your door visit MyTub Ltd - 0845 303 8383 - www.mytub.co.uk - info@mytub.co.uk

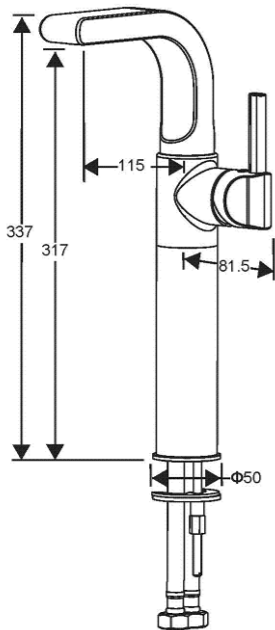




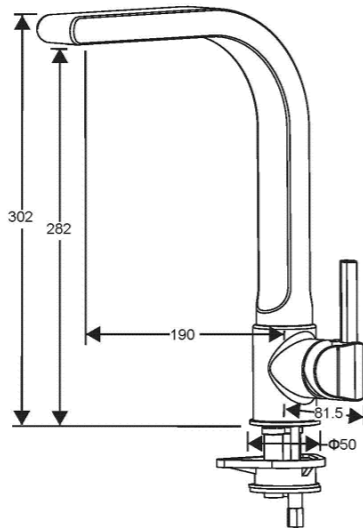
Mono Basin Mixer



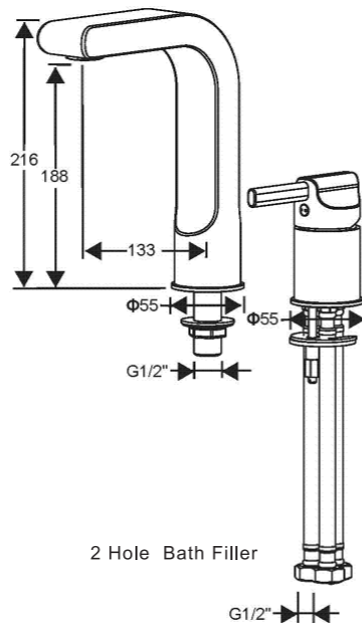
Mini Mono Basin Mixer



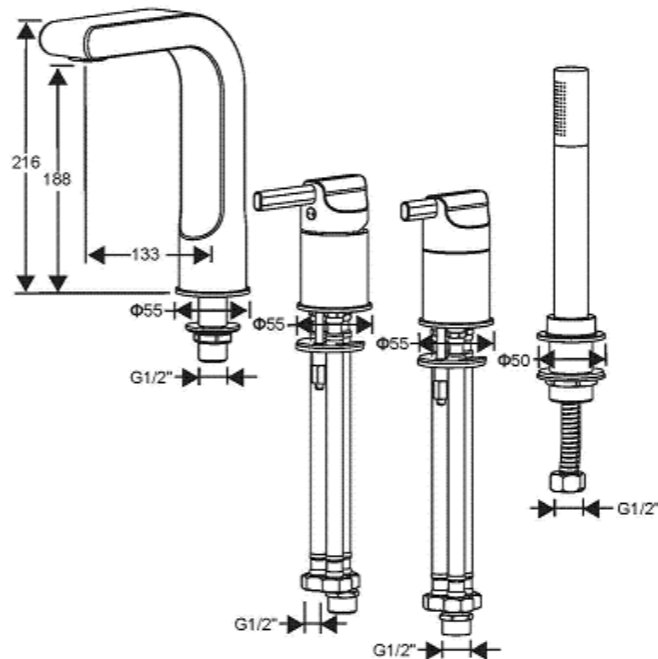
Tall Mono Basin Mixer



Monobloc Side Action Kitchen Mixer



2 Hole Bath Filler



4 Hole Bath Shower Mixer

Water Regulations Requirements

It is important to ensure that the water supplies to your taps and mixers are connected in accordance with the water regulations (WRAS) requirements and good plumbing practice.

It is Pegler Yorkshire's recommendation and good plumbing practice that the supplies of hot and cold water to the products should be at equal (balanced) pressures in order to provide a consistent flow. Supplies should be from a common source, either mains or tank fed. If supplies are not equal pressures then non return valves should be fitted (not supplied).

These products have been designed to function on all types of water systems

Please Note: If a pump is to be installed to boost gravity supplies please refer to the pump manufacturers instructions.

The hot and cold inlets for any of the products are hot on the left and cold on the right when viewed from the front of the fitting. It is our recommendation and good plumbing practice that a service valve also should be installed upstream in the inlet supply lines.

Pipe Connections

IMPORTANT. Before making any inlet pipe connections all supplies **MUST** be thoroughly flushed to remove any debris. Failure to do so could result in damage or low flow from the mixing valve. It is a requirement of Byelaw 55 of the Water Fittings Byelaw Scheme that this function is undertaken before making any pipe connections to supplies.

General Installation Notes

- Care must be taken during installation to prevent any risk of damage to the product or injury to installer.
- Installation must be carried out by a qualified and competent person and in accordance with the instructions supplied.
- Installations must comply with all Local and National Water Authority Regulations, and Building/Plumbing Regulations.
- Please ensure that you have read and understood all sections of this manual before installation.

Water Supply Pressures

Visio fittings have been designed to function under the following conditions:

- Minimum supply pressure 0.2 bar.
- Maximum supply pressure 6.0 bar.

Generous flow rates are achieved at pressures from 0.2 bar. At high pressures it may be necessary to reduce excessive flow rates by fitting stop or servicing valve in the supply line before the mixer or tap. These stop valves facilitate ease of maintenance should it be necessary.