

Round Sealed Fixed Shower Head & Arm

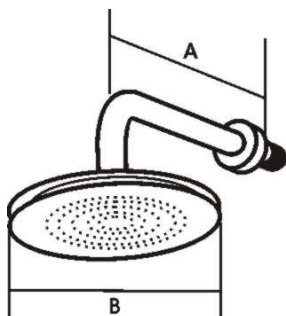


Waterfall Round Sealed Fixed Shower Head & Arm

GENERAL INFORMATION

Pattern No. key :CP = Chrome Plate

Size	Pattern No.	Pack 1 Qty	Code	Barcode	Discontinued
NA	Shower Kit CP	1	4S4527	5013866053269	27/02/2012



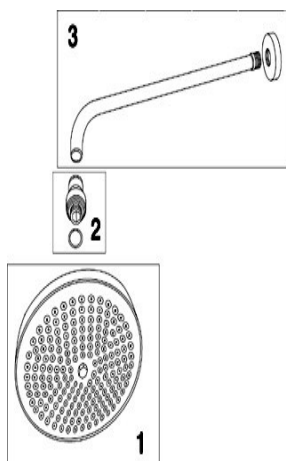
DIMENSIONS (mm)

Code	Description	A	B
4S4527	WATERFALL CP ROUND SEALED FIXED SHOWER HEAD & ARM	340	200

PRESSURE & TEMPERATURE

Round Sealed Fixed Shower Head & Arm	Minimum Operating Pressure (bar)	Maximum Cold Working Pressure (bar)	Maximum Hot Working Pressure (bar)
WATERFALL CP ROUND SEALED FIXED SHOWER HEAD & ARM	1.0 bar	No Maximum Cold Working Pressure	4.0 bar at temperatures up to 85°C

SPARES



1						
Pattern / Size	Description	Code	Barcode	Date From	Date To	
Shower Kit CP / NA	SHR5CP SHOWER HEAD ROSE CHROME	854179	5013866071249	01/01/1900	current	
2						
Pattern / Size	Description	Code	Barcode	Date From	Date To	
Shower Kit CP / NA	C2 CONNECTOR	854180	5013866071256	01/01/1900	current	
3						
Pattern / Size	Description	Code	Barcode	Date From	Date To	
Shower Kit CP / NA	SA3CP SHOWER ARM	854189	5013866071348	01/01/1900	current	

CARE & MAINTENANCE

Care
To maintain the surface finish, simply wipe occasionally with a mild detergent on a soft damp cloth. Dry, using a soft cloth. Never use abrasive cleaners or chemical household cleaners and avoid contact with concentrated bleach.

Maintenance
No regular maintenance is required for this product.
In case of complete replacement Pegler recommend service valves should be fitted to the supply inlets.
For any further help or replacement parts please contact the Service Support Team on 0800 1560050.

REGULATIONS

Regulations
It is important to ensure that the water supplies to your shower are connected in accordance with the water regulations (WRAS) requirements and good plumbing practice.
Bylaw 17 (2) B
The shower head of any shower hose pipe should be fitted by a fixed or sliding attachment so that it can be discharged as a point not less than 25mm above the spill over level of bath tray or fixed appliance.

Luxury Taps and Mixers

Pegler Yorkshire Customcare 5 Year Guarantee - Terms and Conditions

Product are subject to a 5 year guarantee that is between Pegler Yorkshire and the final purchaser of the product.

The guarantee is subject to proof of purchase being supplied.

This guarantee does not affect any statutory rights the consumer may have in law.

The guarantee covers manufacturing or material defects and does not cover parts subject to normal wear and tear.

Finishes other than chrome are covered for a period of 3 years only and the guarantee on the finish is subject to the cleaning instructions being followed.

The guarantee is not applicable where the product is fitted contrary to the conditions in the fitting instructions.

Abusive behaviour and accidental damage to the product are not covered by this guarantee.

The extent of this liability is limited to the cost of the replacement of the defective item and not to fitting or consequential damages.

Your Guide to the installation, care
and maintenance of

Waterfall

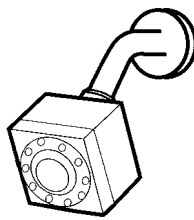
Fixed Shower Head & Arm



4S4515



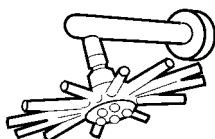
4S4516



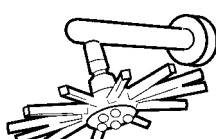
4S4517



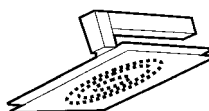
4S4523



4S4524



4S4525



4S4526



4S4527

pegler

Pegler Limited, St. Catherine's Avenue, Doncaster, South Yorkshire. DN4 8DF
Telephone: 01302 560560 Fax: 01302 560109

Prices and delivery to your door visit MyTub Ltd - 0845 303 8383 - www.mytub.co.uk - info@mytub.co.uk

Water Regulations Requirements:

It is important to ensure that the water supplies to your shower are connected in accordance with the water regulations (WRAS) requirements and good plumbing practice.

Bylaw 17 (2) B

The shower head of any shower hose pipe should be fitted by a fixed or sliding attachment so that it can only be discharged at a point not less than 25mm above the spill-over level of bath tray or fixed appliance.

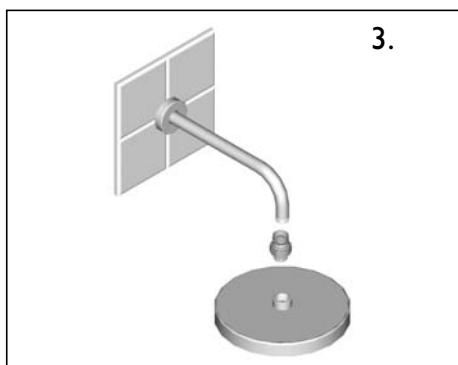
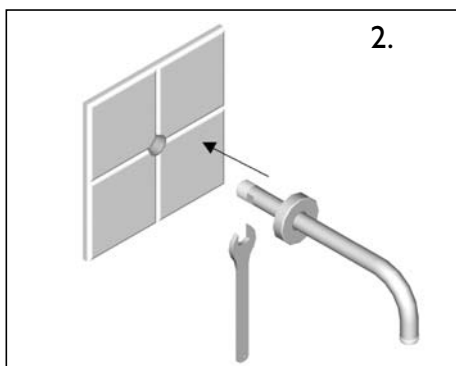
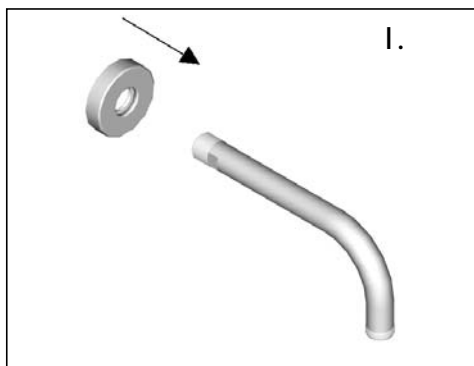
PLEASE NOTE:

The correct type of wall fittings are used to ensure rigidity of the slider rail, ridged riser, fixed head shower or wall union. The correct plumbing fittings and connections must be used to install the rigid riser rails, shower heads and wall unions.

Slider Rails are not safety grab rails. Special safety grab rails can be purchased from Pegler ref: No: 4S4531 / 4S4532.

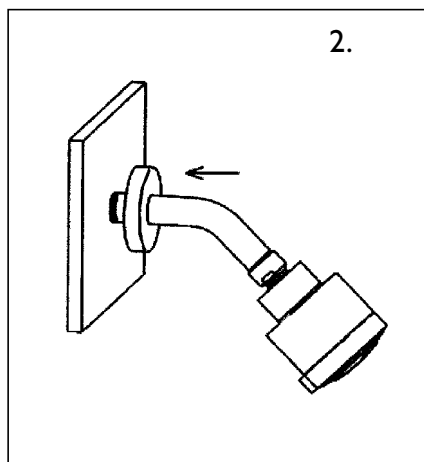
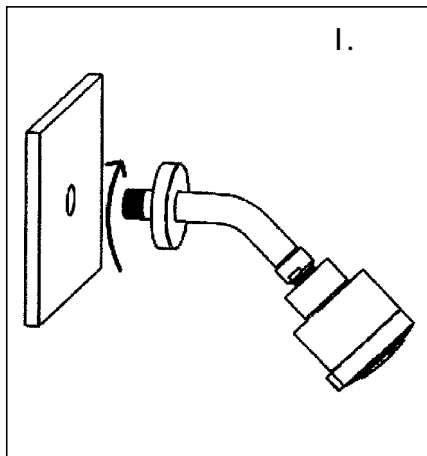
Assembling instructions (Type 1) 4S4523, 4S4524, 4S4525, 4S4526, 4S4527,

- 1) Slide wall flange onto the fixed head arm.
- 2) Screw arm into concealed fitting and slide cover upto tiles
- 3) Screw rose onto swivel connection. Screw swivel connection onto shower arm. Ensure seating washers are in place.



Assembling instructions (Type 2) 4S4515, 4S4516, 4S4517,

- 1) Screw arm into concealed fitting.
- 2) Slide cover upto tiles.



Care and Maintenance

To maintain the surface finishes, simply wipe occasionally with a mild detergent on soft damp cloth. Dry using soft cloth, never use abrasive cleaners or chemical household cleaners avoid contact with concentrated bleach.

Pegler products are manufactured to the highest standards and should require little or no maintenance. In the unlikely event of any spare part being required, please visit our web site: www.pegler.co.uk or contact your nearest stockist or the Pegler Technical Office on telephone number 0870 1200285.



e x p e r i e n c e d e s i g n i n n o v a t i o n

For further information, please contact your appropriate sales office.

HEAD OFFICE

Pegler Limited,
St Catherine's Avenue,
Doncaster,
South Yorkshire DN4 8DF.

Tel: 01302 560560
Fax: 01302 367661
Internet: www.pegler.co.uk

EXPORT

Tel: 44 (0)1302 855656
Fax: 44 (0)1302 730513

Email: export@pegler.co.uk

UK

Northern team:
Tel: 0870 1200281
Fax: 01302 560108

Southern team:
Tel: 0870 1200282
Fax: 01302 560458

Western team:
Tel: 0870 1200283
Fax: 01302 560109

Email: uk.sales@pegler.co.uk

Technical customcare line **0870 1200285**

www.pegler.co.uk

5

**YEAR
GUARANTEE**

Showers are guaranteed for 5 years from the date of purchase.
Full guarantee details are available on request.