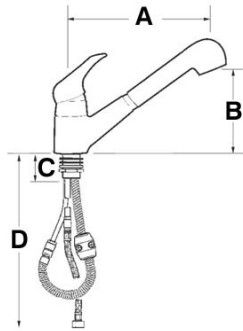


Monobloc Sink Mixer Pull Out Spray



Zio Single Lever Mixer with Pull Out Spray

GENERAL INFORMATION

Pattern No. key :CP = Chrome Plate

Size	Pattern No.	Pack 1 Qty	Code	Barcode	Discontinued
NA	Monobloc Sink Mixer Pull Out Spray CP	1	4P1001	5013866044540	
NA	Monobloc Sink Mixer Pull Out Spray Metallic	1	4P1002	5013866044557	31/10/2004

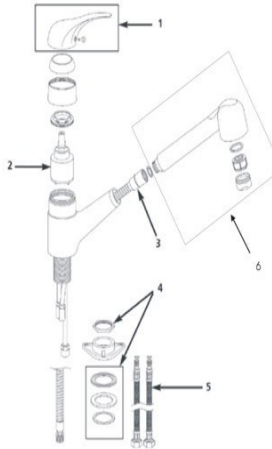
DIMENSIONS (mm)

Code	Description	A	B	C	D
4P1001	ZIO CP SINGLE LEVER MIXER PULL OUT SPRAY	230	135	48	410

PRESSURE & TEMPERATURE

Monobloc Sink Mixer Pull Out Spray	Minimum Operating Pressure (bar)	Maximum Cold Working Pressure (bar)	Maximum Hot Working Pressure (bar)
ZIO CP SINGLE LEVER MIXER PULL OUT SPRAY	0.5 bar	6.0 bar at temperatures up to 85oC	Not Suitable for Maximum Hot Working Pressure

SPARES



1					
Pattern / Size	Description	Code	Barcode	Date From	Date To
Monobloc Sink Mixer Pull Out Spray CP / NA	HD70CP HANDLE CHROME	854026	5013866064258	01/01/1900	current
Monobloc Sink Mixer Pull Out Spray Metallic / NA	HD73 HANDLE METALLIC	854049	5013866064463	01/01/1900	current

2					
Pattern / Size	Description	Code	Barcode	Date From	Date To
Monobloc Sink Mixer Pull Out Spray CP / NA	HK76 HEADWORK CARTRIDGE	854035	5013866064333	01/01/1900	current
Monobloc Sink Mixer Pull Out Spray Metallic / NA	HK76 HEADWORK CARTRIDGE	854035	5013866064333	01/01/1900	current

3					
Pattern / Size	Description	Code	Barcode	Date From	Date To
Monobloc Sink Mixer Pull Out Spray CP / NA	SH10CP SHOWER HOSE CHROME	854045	5013866064425	01/01/1900	current
Monobloc Sink Mixer Pull Out Spray Metallic / NA	SH10CP SHOWER HOSE CHROME	854045	5013866064425	01/01/1900	current

4					
Pattern / Size	Description	Code	Barcode	Date From	Date To
Monobloc Sink Mixer Pull Out Spray CP / NA	FP36 FIXING PACK	854015	5013866064142	01/01/1900	current
Monobloc Sink Mixer Pull Out Spray Metallic / NA	FP36 FIXING PACK	854015	5013866064142	01/01/1900	current

5					
Pattern / Size	Description	Code	Barcode	Date From	Date To
Monobloc Sink Mixer Pull Out Spray CP / NA	IT6 FLEXIBLE INLET TAILS PAIR	850926	5013866063213	01/01/1900	current
Monobloc Sink Mixer Pull Out Spray Metallic / NA	IT6 FLEXIBLE INLET TAILS PAIR	850926	5013866063213	01/01/1900	current

6					
Pattern / Size	Description	Code	Barcode	Date From	Date To
Monobloc Sink Mixer Pull Out Spray CP / NA	HS29CP SHOWER HANDSPRAY CHROME	854246	5013866073373	01/01/1900	current

CARE & MAINTENANCE

Care

To maintain the surface finish, simply wipe occasionally with a mild detergent on a soft damp cloth. Dry, using a soft cloth. Never use abrasive cleaners or chemical household cleaners and avoid contact with concentrated bleach.

Maintenance

No regular maintenance is required for this product.

In case of complete replacement Pegler recommend service valves should be fitted to the supply inlets.

For any further help or replacement parts please contact the Service Support Team on 0800 1560050.

REGULATIONS

Regulations

It is important to ensure that the water supplies to your taps and mixers are connected in accordance with the water regulations (WRAS) requirements and good plumbing practice.

It is Pegler's recommendation and good plumbing practice that the supplies of hot and cold water to the mixer should be at equal (balanced) pressures in order to provide a consistent flow. Supplies should be from a common source, either mains or tank fed. If supplies are not equal pressures then non return valves should be fitted.

GUARANTEE

Luxury Taps and Mixers

Pegler Yorkshire Customcare 10 Year Guarantee - Terms and Conditions

Product are subject to a 10 year guarantee that is between Pegler Yorkshire and the final purchaser of the product.

The guarantee is subject to proof of purchase being supplied.

This guarantee does not affect any statutory rights the consumer may have in law.

The guarantee covers manufacturing or material defects and does not cover parts subject to normal wear and tear.

Finishes other than chrome are covered for a period of 3 years only and the guarantee on the finish is subject to the cleaning instructions being followed.

The guarantee is not applicable where the product is fitted contrary to the conditions in the fitting instructions.

Abusive behaviour and accidental damage to the product are not covered by this guarantee.

The extent of this liability is limited to the cost of the replacement of the defective item and not to fitting or consequential damages.

Monobloc sink mixer
 0.5bar min to 10.0 bar - Zio Single lever pull out spray
 0.2bar min to 10.0 bar - Zio Single lever Monobloc sink mixer

OPERATING PRESSURES

NOTE: On certain brassware the product is supplied with a flow straightener. To reduce splashback an aerator can be installed.(supplied Loose)

line.
 practice that a service valve should be installed in the inlet supply (Pegler PRV2). It is our recommendation and good plumbing then it may be necessary to install a Pressure reducing valve following conditions. Should excessive flow be experienced, Pegler fittings have been designed to function under the

WATER SUPPLIES

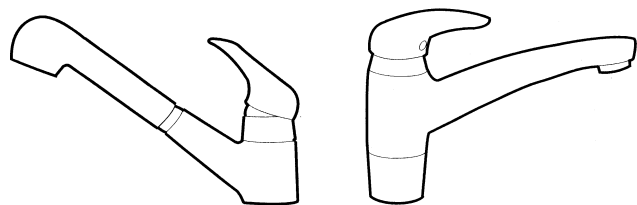
should be fitted.
 fed. If supplies are not equal pressures then non return valves Supplies should be from a common source, either mains or tank equal (balanced) pressures in order to provide a consistent flow. the supplies of hot and cold water to the mixer should be at it is Pegler's recommendation and good plumbing practice that (WRAS) requirements and good plumbing practice.

It is important to ensure that the water supplies to your taps and mixers are connected in accordance with the water regulations

WATER REGULATION REQUIREMENTS

Your guide to the installation, care and maintenance of

Zio
 Monobloc Kitchen Mixers



4P1001 Zio Single Lever Mixer Pull Out Spray

4P1011 Single Lever Monobloc Sink Mixer



Pegler Limited, St. Catherine's Avenue, Doncaster, South Yorkshire, DN4 8DF
 Telephone: 01302 560560 Fax: 01302 560109

INSTALLATION

Zio Single lever Monobloc sink mixer

1. Screw inlet tails into body and tighten up ensuring 'O' ring seal is firmly in place to prevent any leaks.
2. Screw in the clamping stud into the body and position rubber seal under the base of the mixer, then position the mixer into the ware in desired position ensuring lever movement is not obstructed.
3. Please note: Ensure free movement of spout is adequate before clamping in position.
4. To tighten the mixer to the ware, Firstly, place clamping plate rubber then the steel clamping plate onto the stud, then secure by screwing tight the clamping nut. Re check the mixer position above the ware and ensure the spout still rotates freely.
5. Connect inlets to supplies, (Fit non return valves if system is imbalanced

PRE-INSTALLATION CHECKS:

1. Ensure that there is sufficient space to install the product without it hampering its operation. When fitting in a corner position make sure there is sufficient clearance for the use of the handles.
2. Ensure that the outlet will protrude sufficiently into the basin / bath and will clear any obstructions.
3. When installing the product the hot inlet should be on the left hand side and the cold on the right hand side when viewed from the front.

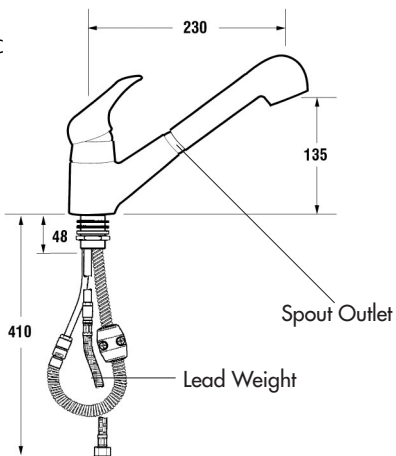
INSTALLATION

Zio Single lever Monobloc sink mixer

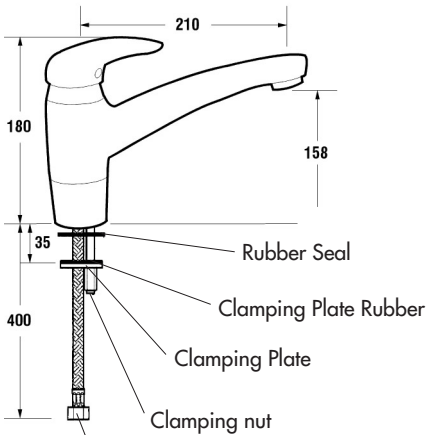
1. Remove clamping nut from base of mixer, then the remove rubber and steel washer from the thread leaving the top base sealing washer in position
2. Thread the hose through the ware, then position the mixer into the ware in desired position ensuring lever movement is not obstructed.
3. From the underside of the ware locate the rubber then steel washer onto the thread and tighten by using the clamping nut. Re check the mixer position above the ware and ensure the spout still rotates freely.
4. Connect the supplies with the two flexible tails provided. (Fit non return valves if system is imbalanced)
5. Screw the loose end of hose into the mixer outlet union using seals provided. A lead weight is provided to help retract the hose should it be required.
6. Pull out the hose from the mixer spout outlet and attach handset using the seal provided.

**ZIO SINGLE LEVER MONOBLOC
 PULL OUT SPRAY SINK MIXER**

4P1011 Single Lever Monobloc Sink Mixer



4P1001 Zio Single Lever Mixer Pull Out Spray



CARE AND MAINTENANCE

To maintain the surface finishes, simply wipe occasionally with a mild detergent on soft damp cloth Dry using soft cloth, never use abrasive cleaners or chemical household cleaners, avoid contact with concentrated bleach. Pegler products are manufactured to the highest standards and should require little or no maintenance. In the unlikely event of any spare part requirements, please contact your nearest stockist or the Pegler Sales Office, St. Catherine's Avenue, Doncaster, DN4 8DF, Telephone; 01302 560560.

Or contact us on the following numbers:

- Northern Team
 Tel: 0870 1200281
 Fax: 01302 560108
- Southern Team
 Tel: 0870 1200282
 Fax: 01302 560458
- Western Team
 Tel: 0870 1200283
 Fax: 01302 560109

