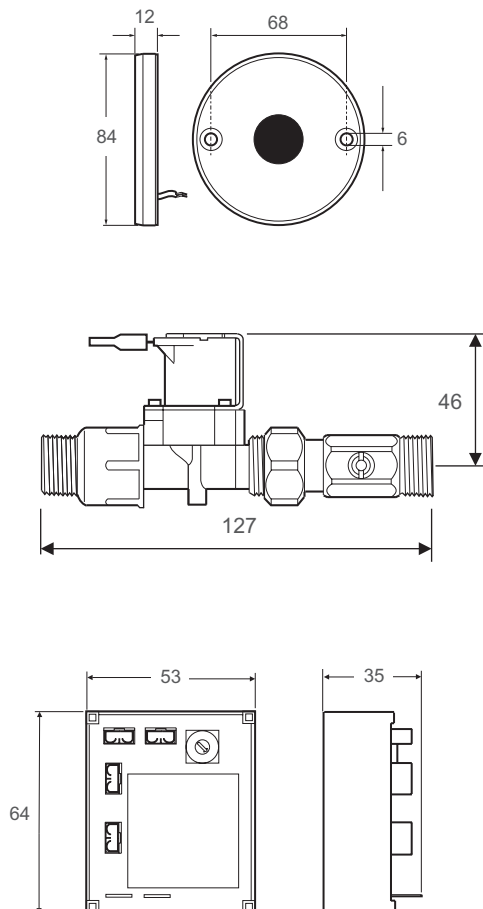


RADA MONO-CONTROL MC129 FOR SHOWERING AND HANDWASHING

- Hygiene 'no-touch' control
- Wall mounted sensor for 'no-touch' control of a single wash basin or shower
- Economy and flexibility - timing can be programmed to suit application
- All elements linked via safe extra low voltage (12 Volts) supply



Dimensions (mm)



Specify as: Mono-Control System MC129 (1.1495.014)

Each outlet to be served by one Rada Mono-Control System MC129 wall mounted flow control. Complete with chrome plated active infra-red sensor, control module and 1/2" solenoid valve with isolator and filter.

Kohler Mira Limited
Cromwell Road
Cheltenham
Gloucestershire
GL52 5EP

Specification Enquiries
Tel: 01242 282527
Fax: 01242 282404
Email: rada_technical@mirashowers.com
www.radacontrols.com



TECHNICAL SPECIFICATION

Installation and Maintenance

Please refer to the appropriate Product Manual.

When the design of today's washrooms require higher levels of hygiene and energy savings, Rada provide the solution.

Rada Mono-Control systems enable precise control of showering, hand washing and urinal flushing systems.

The sensor should be mounted on a flat smooth surface (e.g. centre of a tile) so that the seal on the reverse can prevent water ingress, otherwise a silicone sealant should be used. The sensor is mounted via two fixing points.

The solenoid valve should be accessible for maintenance purposes. Supplied complete with integral isolator and filter.

Approvals

WRAS approved (Water Regulations Advisory Scheme).

CE Approved.

Designed, manufactured and supported in accordance with accredited BS EN ISO 9001:2000 Quality Management Systems and BS EN ISO 14001:2004 Environmental Management Systems.

Operation

When the sensor is activated, a signal is sent to the Rada Mono-Control module, which, in turn, energises the solenoid valve.

The solenoid valve opens - allowing water to flow through the outlet.

The duration of the flow for each outlet can be individually preset, via the Rada Mono-Control module, ensuring optimum saving of water and energy.

The sensor may be used to switch off the supply of water before the preset time.

Materials

Sensor: Chromium plated metal with shatterproof plastic sensing window.

Solenoid Valve: Body material fibreglass polyimide.

Cycle Timing

Flow duration can be pre-selected during commissioning by the adjustment of an integral timing dial.

- a) Cycle time in seconds, full cycle only
3, 4, 5, 6, 7, 8, 9, 15, 30, 60.
- b) Cycle time in seconds, cycle can be stopped by reactivating sensor
5, 10, 15, 30, 60, 75.

Pressures

Solenoid valve: 0.2 - 10 bar (20 - 1000 kPa).

Electrical Specification

Protection class: Sensor, electronic module IP65.

Supply voltage: 12V AC + 10% 50/60 HZ, via Rada 302, 308 or 316 transformer (not included).

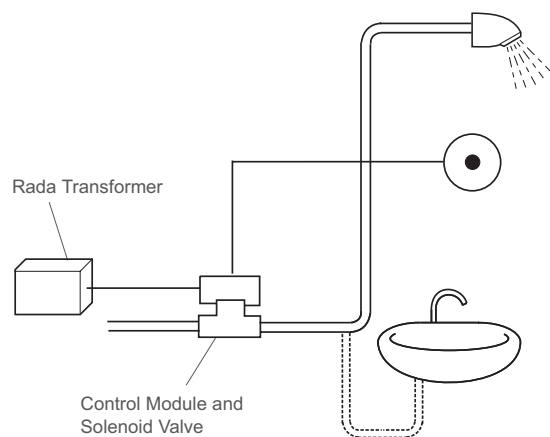
Power consumption: 6 VA.

Operating ambient temperature range: 5°C - 40°C.

Maximum humidity: 80%.

Wiring from sensor to control module: 2 core PVC covered cable, 3.0 m supplied.

Operation Schematic



Kohler Mira Limited
Cromwell Road, Cheltenham
Gloucestershire, GL52 5EP

Specification Enquiries
Tel: 01242 282527, Fax: 01242 282404
Email: rada_technical@mirashowers.com
www.radacontrols.com

Rada is a registered trademark of Kohler Mira Limited.
The company reserves the right to alter product specification without notice.
© February 2007 Kohler Mira Limited. All rights reserved.
No part of this document, or any accompanying document, may be reproduced or transmitted in any form or by any means, including photocopying or electronically, without the permission of Kohler Mira Limited.

A **KOHLER** COMPANY



FM 14648



P5496/1