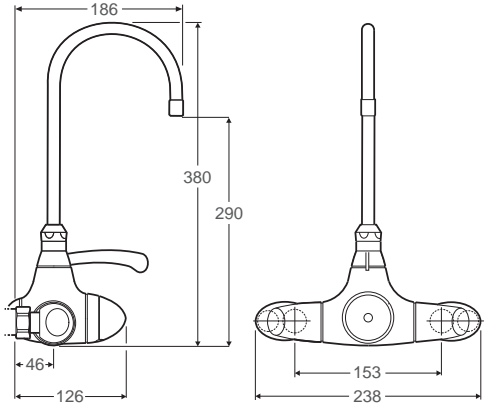
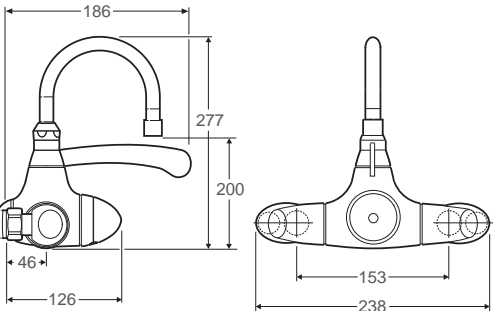


RADA UNATHERM-3 PANEL MOUNTED THERMOSTATIC CLINICAL BASIN TAP

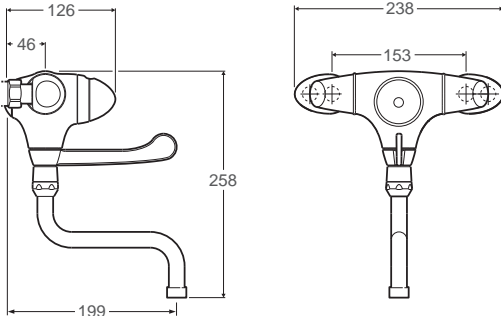
- TMV3 approved thermostatic clinical basin tap suitable for panel mounting
- Choice of inlet connectors (not supplied)
- Choice of high, short and low neck spouts
- Incorporating BioCote® anti-microbial technology which is based on the active agent silver, which is widely used in the healthcare sector
- Choice of locked and adjustable temperature control



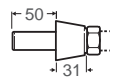
Rada Unatherm-3 Fixed HL (EXCO) - (High Spout)



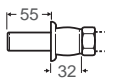
Rada Unatherm-3 Fixed SL (EXCO) - (Short Spout)



Rada Unatherm-3 Fixed LL (EXCO) - (Low Spout)



Offset Connector - 1.1562.076



Straight Connector - 1.1606.049



Rada Unatherm-3 Fixed HL (EXCO)
(High Spout)

Rada Unatherm-3 Fixed SL (EXCO)
(Short Spout)

Rada Unatherm-3 Fixed LL (EXCO)
(Low Spout)

Rada Unatherm-3
Offset Connector

Rada Unatherm-3
Straight Connector

Kohler Mira Limited
Cromwell Road
Cheltenham
Gloucestershire
GL52 5EP

Specification Enquiries
Tel: 01242 282527
Fax: 01242 282404
Email: rada_technical@mirashowers.com
www.radacontrols.com



TECHNICAL SPECIFICATION

Specify as: Rada Unatherm-3 HL (EXCO) - 1.1606.047

TMV3 approved combined clinical basin tap and mixing valve featuring high neck spout. Supplied complete with service-free cartridge, check valves, strainers and adjustable temperature control.

Specify as: Rada Unatherm-3 LL (EXCO) - 1.1606.048

TMV3 approved combined clinical basin tap and mixing valve featuring low spout. Supplied complete with service-free cartridge, check valves, strainers and adjustable temperature control.

Specify as: Rada Unatherm-3 Fixed SL (EXCO) - 1.1606.044

TMV3 approved combined clinical basin tap and mixing valve featuring short neck spout. Supplied complete with service-free cartridge, check valves, strainers and locked temperature shroud.

Specify as: Rada Unatherm-3 Fixed HL (EXCO) - 1.1606.045

TMV3 approved combined clinical basin tap and mixing valve featuring high neck spout. Supplied complete with service-free cartridge, check valves, strainers and locked temperature shroud.

Specify as: Rada Unatherm-3 Fixed LL (EXCO) - 1.1606.046

TMV3 approved combined clinical basin tap and mixing valve featuring low spout. Supplied complete with service-free cartridge, check valves, strainers and locked temperature shroud.

Locked Knob Conversion Accessory - 1.1606.027

Conversion kit to turn adjustable temperature control models into locked temperature control.

Installation and Maintenance

Please refer to the appropriate Product Manual.

Inlet Connectors

Inlet connectors are not supplied with the Unatherm-3 models listed above and need to be purchased separately. There is a choice of two inlet connector types:

Offset Connectors (2 off) - 1.1562.076

Straight Connectors (2 off) - 1.1606.049

Approvals

Buildcert TMV3 Thermostatic Mixing Valve Scheme approved:

HP-WE - High Pressure Washbasin Economy

LP-WE - Low Pressure Washbasin Economy

Certificate No: BC 064/09/03.

Complies with the technical requirements of BS7942 for the same designations.

Designed to comply with European Standards EN1111 and EN1287.

WRAS approved (Water Regulations Advisory Scheme).

Designed, manufactured and supported in accordance with accredited

BS EN ISO 9001:2000 Quality Management Systems and

BS EN ISO 14001:2004 Environmental Management Systems.

Operation

Flow: 150 mm lever flow control for simple wrist or elbow operation.

Temperature: Adjustable temperature control knob (HL and LL)

Temperature: Locked temperature shroud (Fixed SL/LL/HL)

Materials

Body: DZR brass chrome plated

Control knobs and trims: Engineering plastic and zinc alloy chrome plated

Temperature Range

Maximum factory set temperature: 41 °C

(can be re-set on site as required)

Optimum thermostatic control range: 35 °C - 45 °C

Recommended hot: 55 °C - 65 °C

Recommended cold: 5 °C - 20 °C

Maximum hot: 85 °C

Pressures

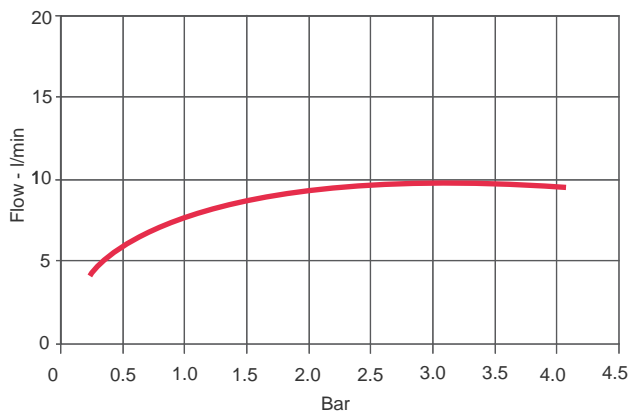
Maximum static pressure: 10 bar

Maintained inlet pressure range: 0.2 - 5.0 bar

Maximum pressure loss ratio: 10:1, in favour of either supply, during flow

Note! Both hot and cold pressure should be nominally equal.

Flow Diagram



— Unatherm-3 HL - with flow regulators

Kohler Mira Limited

Cromwell Road, Cheltenham
Gloucestershire, GL52 5EP

Specification Enquiries

Tel: 01242 282527, Fax: 01242 282404
Email: rada_technical@mirashowers.com
www.radacontrols.com

Rada is a registered trademark of Kohler Mira Limited.

The company reserves the right to alter product specification without notice.

© April 2007 Kohler Mira Limited. All rights reserved.

No part of this document, or any accompanying document, may be reproduced or transmitted in any form or by any means, including photocopying or electronically, without the permission of Kohler Mira Limited.

A **KOHLER** COMPANY



FM 14648

