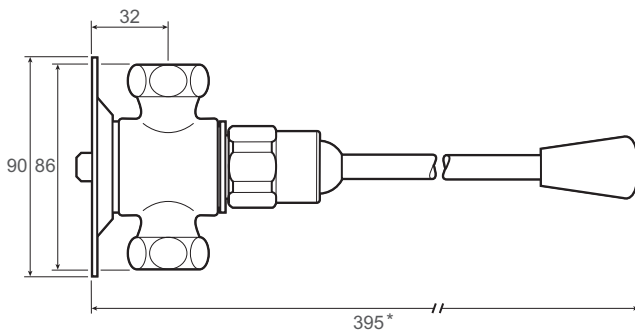
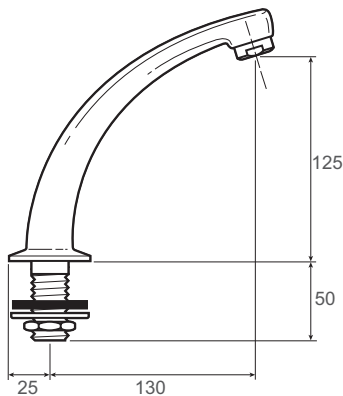


RADA TF750 KNEE-OPERATED TIMED FLOW CONTROL AND BASIN SPOUT

- Knee-operated timed flow control
- Ideal for hospitals and areas where no-touch required
- Energy and water saving
- Adjustable flow rate and flow time
- Anti-vandal design
- Simple to install and maintain



Dimensions (mm)



**Note!** Extended rod available which makes dimension from face of wall 560 mm.

**Specify as: Rada TF750 (2.1.122.64.3)**

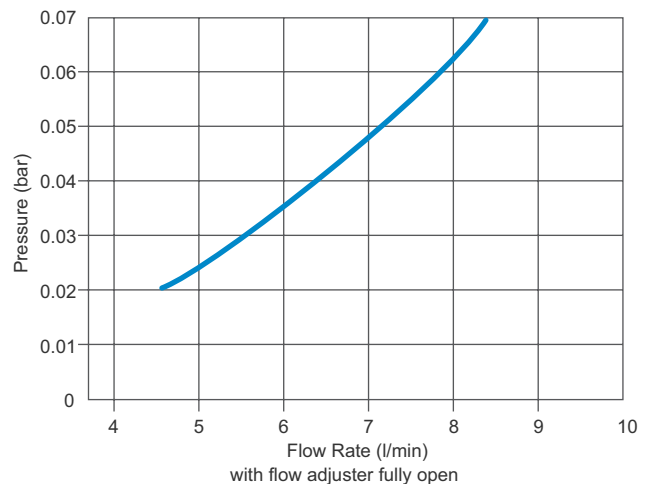
knee-operated timed flow control with polished chrome plate and extruded nylon lever knob, with 15 mm compression fittings and internal flow adjuster for water economy. An extended rod is available for the TF750 (Part No. 159.20).

**Specify as: Rada SP14 (2.1.122.65.2)**

basin spout with polished chrome finish, 1/2" BSP male thread and flow perlator for aerated flow pattern.

**Note!** This product can also be used with the Pulse Electronic Operating System.

**Flow Diagram**



**Kohler Mira Limited**  
 Cromwell Road  
 Cheltenham  
 Gloucestershire  
 GL52 5EP

**Specification Enquiries**  
 Tel: 01242 282527  
 Fax: 01242 282404  
 Email: rada\_technical@mirashowers.com  
 www.radacontrols.com



## HAND WASHING

### TECHNICAL SPECIFICATION

#### Installation and Maintenance

Please refer to the appropriate Product Manual.

#### Connections

TF750: 15 mm compression. Alternatively a ¼" BSP male parallel thread is available by removing the compression nuts.

SP14: ½" BSP male parallel thread. Suitable for standard tap connectors or direct copper compression connections.

#### Approvals

Designed, manufactured and supported in accordance with accredited BS EN ISO 9001:2000 Quality Management Systems and BS EN ISO 14001:2004 Environmental Management Systems.

#### Operation

Deflection of the lever in any direction, gives full flow for approximately 15 seconds then switches off automatically. The cycle is reactivated each time the lever is deflected.

#### Materials

Body: Copper alloy.

Lever and knob: Plastic mouldings.

#### Temperature Range

Maximum water temperature: 70°C.

**Note!** for safety reasons it is recommended that hot maximum temperature used for hand washing be pre-set at 40°C using a Rada/ Meynell Thermostatic Mixing Valve. Please contact Specification Enquiries for advice.

#### Pressures

Maximum static pressure: 7 bar.

Minimum maintained pressure for a TF750 operating with a SP14 basin spout is 0.175 bar. This pressure requirement includes no provision for a thermostatic mixing valve which may be used to supply one or a number of outlets operated by a TF750.

**Kohler Mira Limited**  
Cromwell Road, Cheltenham  
Gloucestershire, GL52 5EP

**Specification Enquiries**  
Tel: 01242 282527, Fax: 01242 282404  
Email: rada\_technical@mirashowers.com  
www.radacontrols.com

**Rada is a registered trademark of Kohler Mira Limited.**

The company reserves the right to alter product specification without notice.  
© July 2006 Kohler Mira Limited. All rights reserved.

No part of this document, or any accompanying document, may be reproduced or transmitted in any form or by any means, including photocopying or electronically, without the permission of Kohler Mira Limited.

A **KOHLER** COMPANY



FM 14648



P1764/17

For latest prices and delivery to your door visit MyTub Ltd 0845 303 8383 www.mytub.co.uk