

#### Tender specification:

Oventrop cast iron "Y" type strainer, both ends flanged, PN 16. Fitted with stainless steel basket.

Body and cover made of cast iron. Stainless steel basket. Asbestos free gasket.

PN 16, 0°C up to 120°C

Round flanges according to DIN EN 1092-2, PN 16 (hole circle according to BS 4504, PN 16).

#### Function:

Oventrop cast iron "Y" type strainers are suitable for most general straining purposes on non-aggressive fluids.

#### Material:

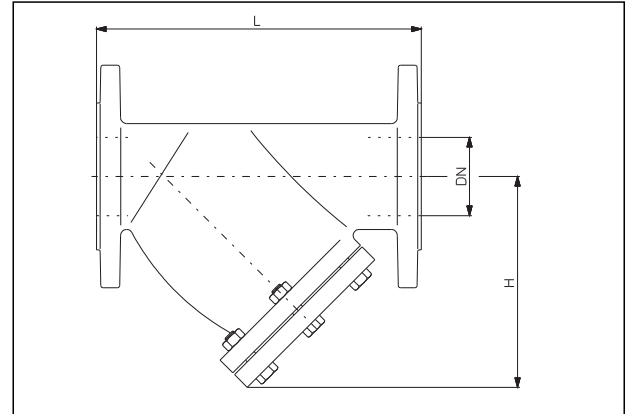
Body made of nodular cast iron (GG50/EN-GJS-500-7) and cover made of cast iron (GG25/EN-GJL-250 DIN EN 1561); stainless steel basket. Asbestos free gasket.

#### Application:

The cast iron "Y" type strainers are installed in the supply and return pipes of hot water central heating systems. They are resistant to non-aggressive fluids up to 120°C, water, water and glycol mixtures, mineral, heating and hydraulic oils.

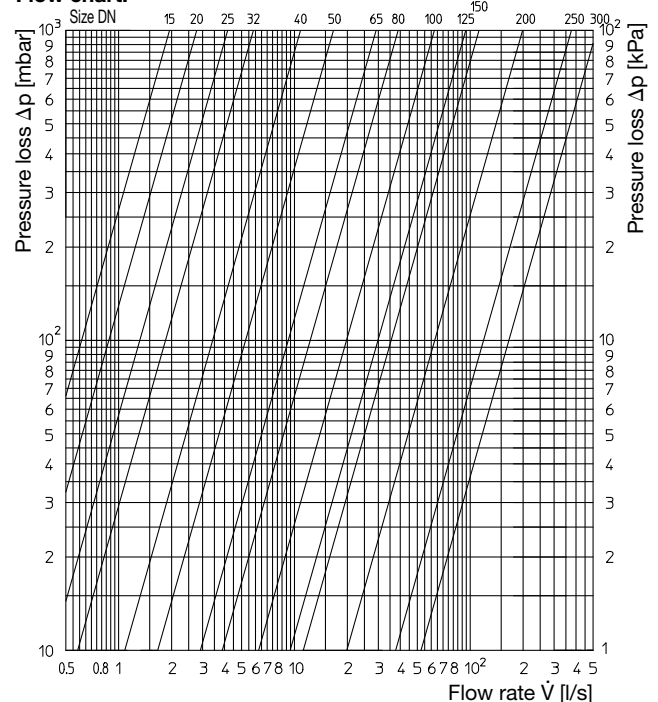
Size	Item no.	$k_{vs}$ value
DN 15	112 20 45	7
DN 20	112 20 46	10
DN 25	112 20 47	15
DN 32	112 20 48	21
DN 40	112 20 49	39
DN 50	112 20 50	60
DN 65	112 20 51	105
DN 80	112 20 52	140
DN 100	112 20 53	225
DN 125	112 20 54	340
DN 150	112 20 55	405
DN 200	112 20 56	715
DN 250	112 20 57	1355
DN 300	112 20 58	1890
DN 350	112 20 59	—
DN 400	112 20 60	—
DN 450	112 20 61	—
DN 500	112 20 62	—
DN 600	112 20 63	—

#### Dimensions:



DN	Mesh	L	H	kg
15	1.0	130	85	3
20	1.0	150	90	4
25	1.0	160	95	5
32	1.0	180	105	7
40	1.5	200	120	8
50	1.5	230	148	11
65	1.5	290	193	16
80	1.5	310	205	18
100	1.5	350	245	27
125	1.5	400	295	38
150	1.5	480	325	47
200	2.0	600	390	85
250	2.0	730	460	145
300	2.0	850	500	200
350	3.0	960	740	400
400	3.0	1079	840	556
450	3.0	1168	910	627
500	3.0	1275	968	780
600	3.0	1450	1160	1080

#### Flow chart:



Subject to technical modification without notice.

Product range 5  
ti 122-1/10/MW  
Edition 2012