



Tender specification:

Oventrop automatic airvent for temperatures between 0°C and 110°C, PN 10, for a reliable elimination of air which is generated during heating up periods of heating systems. The airvents prevent:

- Corrosion
- Airlocks in radiators and resulting flow noises
- Dry running of the pump

Function:

An automatic deaeration is given when the venting valve is opened and the deaeration function is no longer given when the venting valve is closed.

The automatic airvent can be cleaned and replaced under working conditions and without pressure discharge via the automatic shut-off device.

The precision automatic airvent, item no. 108 82 03, is also equipped with an air admission barrier preventing the entry of air through the venting valve.

Model:

Body made of brass (item no. 108 84 04: nickel plated brass)

G	Automatic shut-off device	Item no.
G 3/8	with	108 83 03
G 1/2	with	108 83 04
G 3/4	with	108 83 06
G 1/2	without	108 84 04
G 3/8	with	108 82 03

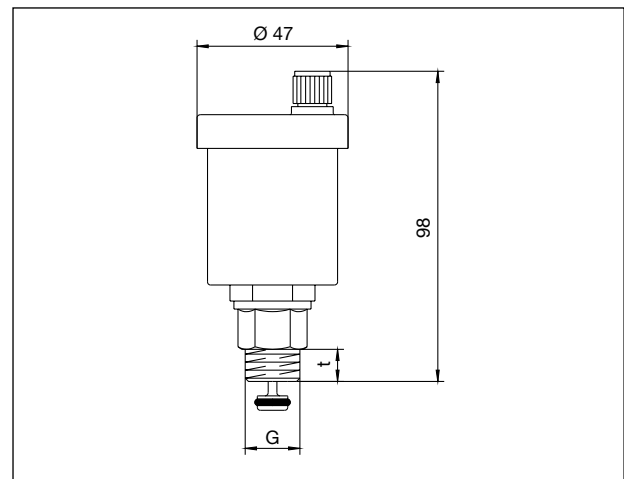
Application:

The Oventrop automatic airvents are used in central heating and heat pump systems PN 10 with fluid temperatures between 0°C and 110°C. They can be used with water and mixtures of water and glycol with a max. glycol proportion of 30%.

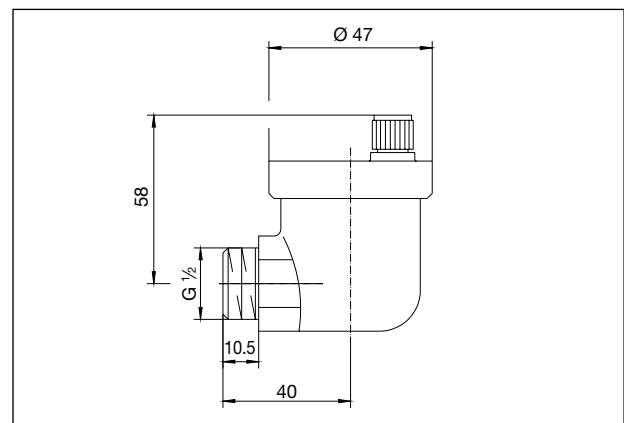
The airvents are installed vertically at the highest point of the system. Suitable installation points are risers, distributors, air separators and other points prone to airlocks.

(Note: For solar circuits, the "Regusol" deaerator, item no. 136 83 04, is to be used)

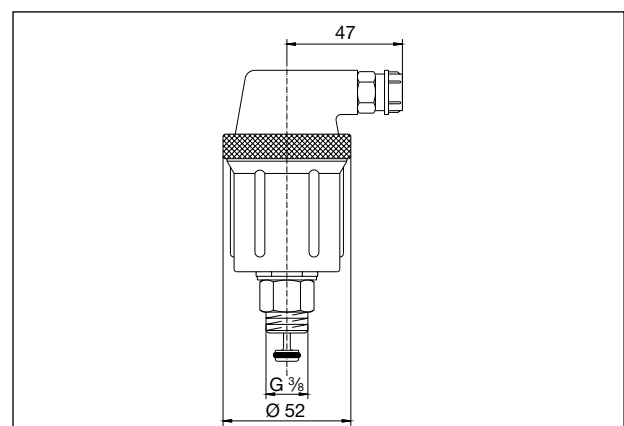
Dimensions:



Item no.	G	t
108 83 03	3/8	10
108 83 04	1/2	12
108 83 06	3/4	12



Item no. 108 84 04



Item no. 108 82 03

Subject to technical modification without notice.

Product group 5
ti 191-1/10/MW
Edition 2008

Printed on paper free from chlorine bleaching.

F. W. OVENTROP GmbH & Co. KG
Paul-Oventrop-Straße 1
D-59939 Olsberg, Germany
Telephone +49(0) 2962 82-0
Telefax +49(0) 2962 82-450
E-Mail mail@oventrop.de
Internet www.oventrop.de

For an overview of our global presence visit www.oventrop.de.