



Function:

Oventrop thermostats are proportional regulators working without auxiliary energy. They regulate the room temperature by varying the flow volume of heating water.

Tender specification:

Oventrop thermostat "Uni XH" with liquid sensor, connection thread M 30 x 1.5, temperature range can be limited and locked by means of limiting elements, marking of a set value by means of memory disc, tactile setting device, temperature range 7-28 °C.

white model	
with '0' setting	101 13 65
without '0' setting	101 13 64

as above but without remote sensor

white model	
with '0' setting	
capillary	2 m long
	101 15 65
capillary	5 m long
	101 15 66

without '0' setting	
capillary	2 m long
	101 15 82

Oventrop thermostat "Uni XHT" with liquid sensor, connection thread M 30 x 1.5, temperature range can be limited and locked by means of limiting elements, marking of a set value by means of memory disc, tactile setting device, temperature range 7-28°C, max. heating water temperature 90 °C.

transparent model, with '0' setting	101 13 00
-------------------------------------	-----------

Oventrop thermostat "Uni XHZ" with liquid sensor, connection thread M 30 x 1.5, temperature range can be limited and locked by means of limiting elements, marking of a set value by means of memory disc, tactile setting device, with connection for mains adaptor, timed setback of the nominal value by connecting the time switch, item no. 115 13 88, and the mains adaptor, item no. 115 13 89. Temperature range 10-28°C, during setback about 6-24 °C.

white model	
without '0' setting	101 13 69

Oventrop thermostat "Uni LH" with liquid sensor, connection thread M 30 x 1.5, temperature range can be limited and locked by means of hidden limiting elements, marking of a set value by means of the memory disc, tactile setting device, temperature range 7-28°C.

white model	
with '0' setting	101 14 65
without '0' setting	101 14 64

anthracite model, with collar nut cover, with '0' setting	101 14 67
---	-----------

gold plated model, with collar nut cover, with '0' setting	101 14 68
--	-----------

chrome plated model, with collar nut cover, with '0' setting	101 14 69
--	-----------

as above but with remote sensor

white model	
with '0' setting	
capillary	0.6 m long
	101 16 64
capillary	2 m long
	101 16 65
capillary	5 m long
	101 16 66
capillary	10 m long
	101 16 67

without '0' setting	
capillary	2 m long
	101 16 82

anthracite model, with collar nut cover, with '0' setting	
capillary	2 m long
	101 16 45

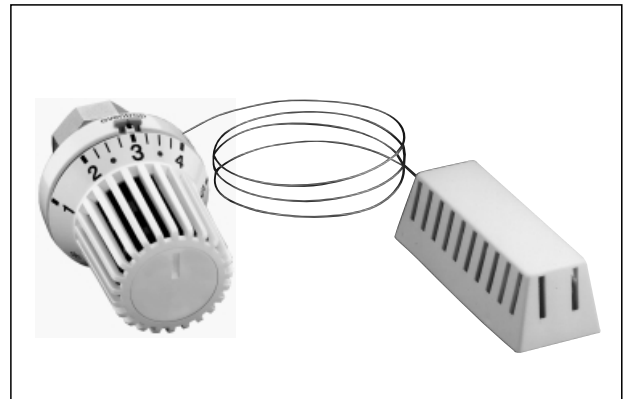
Oventrop thermostat "Uni LH" with liquid sensor for indoor swimming pools and medical baths, connection thread M 30 x 1.5, temperature range can be limited and locked by means of hidden limiting elements, marking of a set value by means of the memory disc, tactile setting device, temperature range 3-38°C.

white model	
without '0' setting	101 14 88

as above but with remote sensor	
capillary	2 m long
	101 16 88



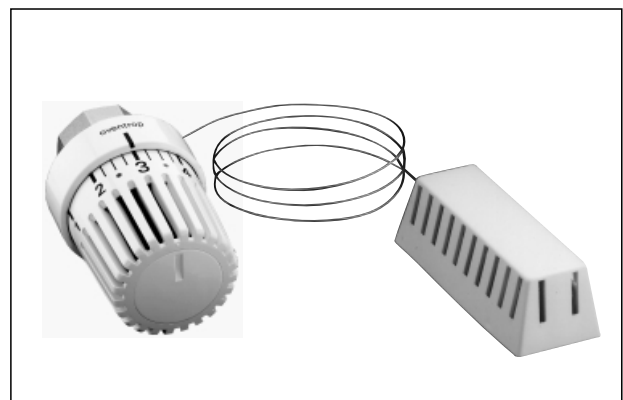
Thermostat "Uni XH"



Thermostat "Uni XH" with remote sensor



Thermostat "Uni LH"



Thermostat "Uni LH" with remote sensor

Oventrop thermostat "Uni LH" with remote control
 connection thread M 30 x 1.5, temperature range 7-28 °C

white model
 with '0' setting

capillary	2 m long	101 22 95
capillary	5 m long	101 22 96
capillary	10 m long	101 22 97

as above but with additional remote sensor
 with '0' setting

capillary	2 m long	101 23 95
capillary	5m long	101 23 96

Oventrop thermostat "Uni CH" with liquid sensor and
 moveable cover to hide collar nut, connection thread M 30 x
 1.5, design Colani, temperature range 7-28°C

white model
 without '0' setting

as above but with remote sensor		
white model		
without '0' setting		
capillary	2 m long	101 12 61

Oventrop thermostat "Uni DH" with wax sensor, connection
 thread M 30 x 1.5, temperature range 7-28°C

white model
 with '0' setting

chrome plated model, with collar nut cover
 with '0' setting

as above but with remote sensor		
white model		
without '0' setting		
capillary	2 m long	101 11 65



Thermostat "Uni LH" with remote control



Thermostat "Uni CH"



Thermostat "Uni DH"

Oventrop thermostat "Uni XD" with liquid sensor, squeeze connection, temperature range can be limited and locked by means of limiting elements, tactile setting device, marking of a set value by means of the memory disc, temperature range 7-28 °C

white model
 with '0' setting 101 13 75
 without '0' setting 101 13 74

as above but with remote sensor
 white model
 with '0' setting
 capillary 2 m long 101 15 75



Thermostat "Uni XD"

Oventrop thermostat "Uni XDZ" with liquid sensor, squeeze connection, temperature range can be limited and locked by means of limiting elements, marking of a set value by means of memory disc, tactile setting device, with connection for mains adaptor, timed setback of the nominal value by connecting the time switch, item no. 115 13 88, and the mains adaptor, item no. 115 13 89. Temperature range 10-28 °C, during setback about 6-24 °C.

white model
 without '0' setting 101 13 79



Thermostat "Uni LD"

Oventrop thermostat "Uni LD" with liquid sensor, squeeze connection, temperature range can be limited and locked by means of hidden limiting elements, marking of a set value by means of the memory disc, tactile setting device, temperature range 7-28 °C

white model
 with '0' setting 101 14 75
 without '0' setting 101 14 72

block model, with collar nut cover
 with '0' setting 101 14 78

gold plated model, with collar nut cover
 with '0' setting 101 14 80

chrome plated model, with collar nut cover
 with '0' setting 101 14 79



Thermostat "Uni LD" with remote sensor

as above but with remote sensor
 white model
 with '0' setting
 capillary 2 m long 101 16 85

as above but with remote control
 white model
 with '0' setting
 without collar nut cover
 capillary 2 m long 101 22 75



Thermostat "Uni LD" with remote control

Oventrop thermostat "Uni CD" with liquid sensor and moveable cover to hide collar nut, squeeze connection, design Colani, temperature range 7-28 °C

white model
 without '0' setting 101 12 75

as above but with remote sensor
 white model
 without '0' setting
 capillary 2 m long 101 12 81



Thermostat "Uni CD"

Thermostats M 30 x 1.0

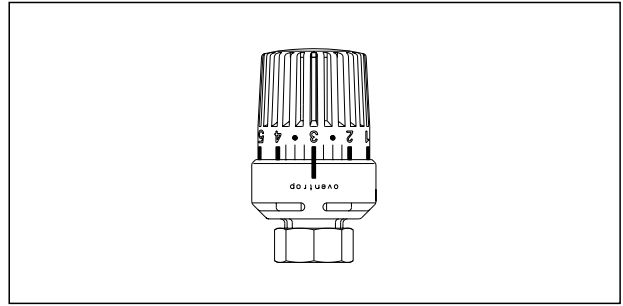
Oventrop thermostat "Uni L" with liquid sensor, connection thread M 30 x 1.0, temperature range can be limited and locked by means of hidden limiting elements, marking of a set value by means of the memory disc, temperature range 7-28 °C.

white model
with '0' setting 101 14 01

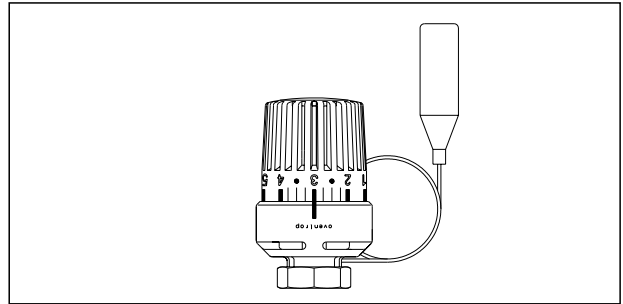
as above but with remote sensor
white model
with '0' setting
capillary 2 m long 101 16 51

Oventrop thermostat "Uni D" with wax sensor, connection thread M 30 x 1.0, temperature range 7-28 °C.

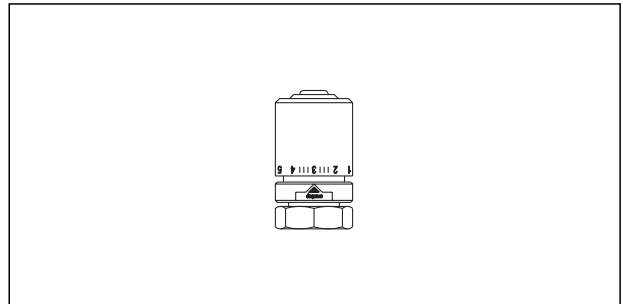
white model
with '0' setting 101 10 90



Thermostat "Uni L"



Thermostat "Uni L" with remote sensor

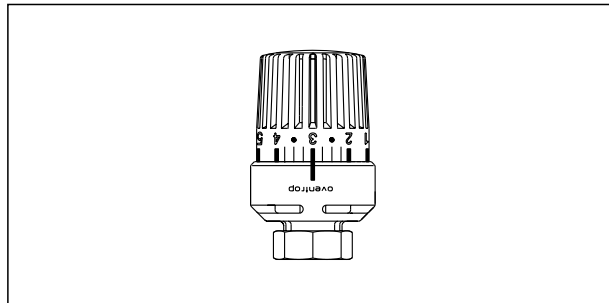


Thermostat "Uni D"

Special thermostats

Oventrop thermostat "Uni LA" with liquid sensor, connection thread M 28 x 1.5, temperature range can be limited and locked by means of hidden limiting elements, marking of a set value by means of the memory disc, tactile setting device, temperature range 7-28 °C

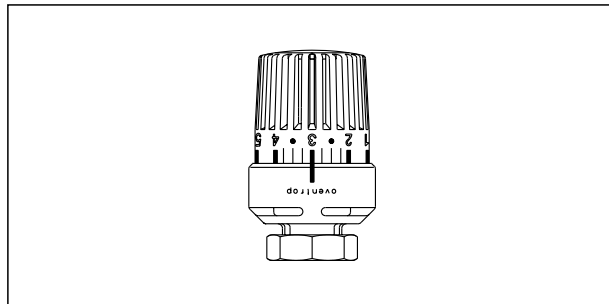
Suitable for Herz thermostatic radiator valves (lower parts)
white model, with '0' setting 161 34 01



Thermostat "Uni LA" M 28 x 1.5

Oventrop thermostat "Uni LI" with liquid sensor, connection thread M 32 x 1.0, temperature range can be limited and locked by means of hidden limiting elements, marking of a set value by means of the memory disc, tactile setting device, temperature range 7-28 °C

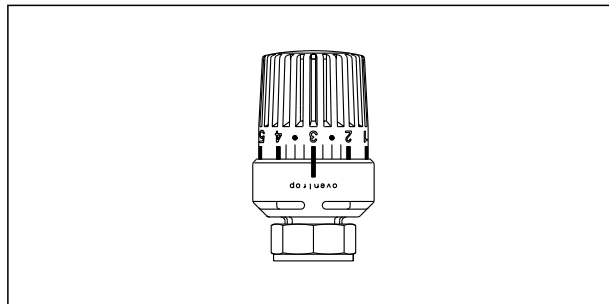
Suitable for Ista thermostatic radiator valves (lower parts)
white model, with '0' setting 161 62 00



Thermostat "Uni LI" M 32 x 1.0

Oventrop thermostat "Uni LR" with liquid sensor, connection thread M 33 x 2.0, temperature range can be limited and locked by means of hidden limiting elements, marking of a set value by means of the memory disc, tactile setting device, temperature range 7-28 °C

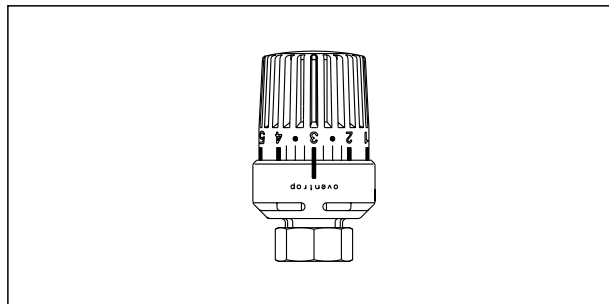
Suitable for Rosswein thermostatic radiator valves (lower parts)
white model, with '0' setting 161 63 01



Thermostat "Uni LR" M 33 x 2.0

Oventrop thermostat "Uni LK" with liquid sensor, connection thread M 28 x 1.0, temperature range can be limited and locked by means of hidden limiting elements, marking of a set value by means of the memory disc, tactile setting device, temperature range 7-28 °C

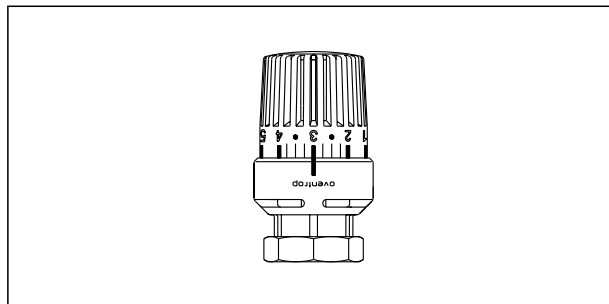
Suitable for Kosmia thermostatic radiator valves (lower parts)
white model, with '0' setting 161 35 01



Thermostat "Uni LK" M 28 x 1.0

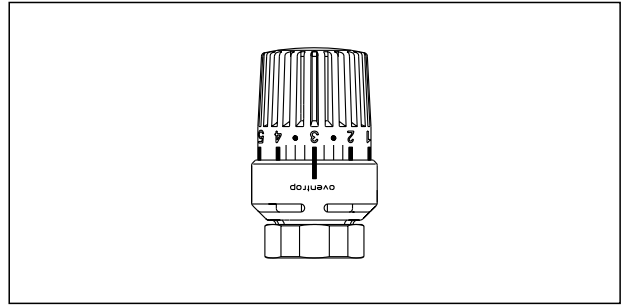
Oventrop thermostat "Uni LV" with liquid sensor, squeeze connection with collar nut, temperature range can be limited and locked by means of hidden limiting elements, marking of a set value by means of the memory disc, tactile setting device, temperature range 7-28 °C

Suitable for Vaillant thermostatic radiator valves (lower parts)
white model, with '0' setting 161 60 01



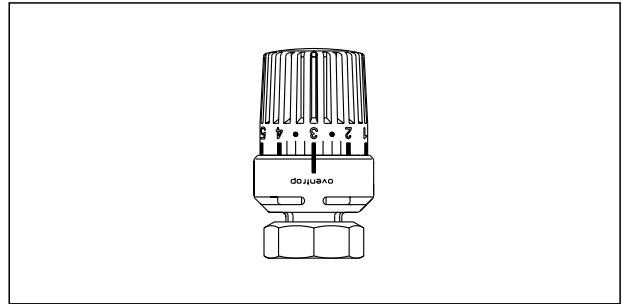
Thermostat "Uni LV" with squeeze connection

Oventrop thermostat "Uni LM" with liquid sensor, connection thread M 38 x 1.5, temperature range can be limited and locked by means of hidden limiting elements, marking of a set value by means of the memory disc, tactile setting device, temperature range 7-28 °C
 Suitable for Meges thermostatic radiator valves (lower parts)
 white model, with '0' setting 161 61 00



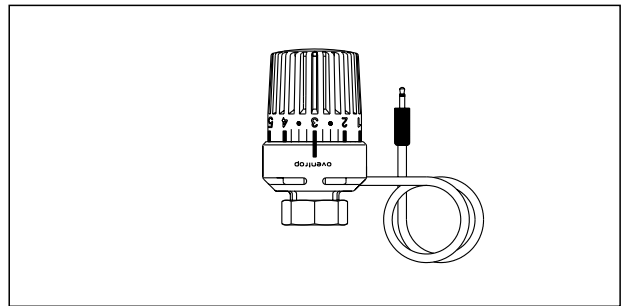
Thermostat "Uni LM" M 38 x 1.5

Oventrop thermostat with liquid sensor, connection thread M 40 x 1.5, marking of a set value by means of the memory disc, tactile setting device, temperature range 7-28 °C
 Only for Oventrop "maxi/mini" thermostatic radiator valves manufactured up to 1974. The valves of this series are no longer produced.
 white model, with '0' setting 101 55 00



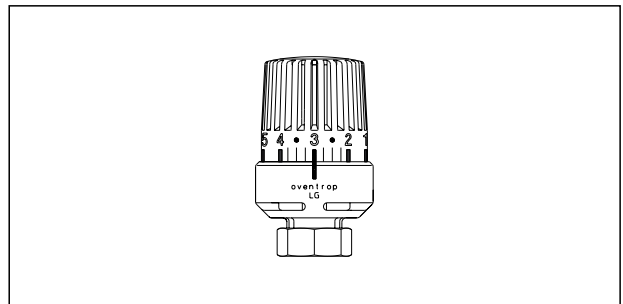
Thermostat für "maxi/mini" valves M 40 x 1.5

Oventrop thermostat "Uni LHZ" with liquid sensor, electric temperature setback, connection 24 V direct or alternating current, connection thread M 30 x 1.5, temperature range can be limited and locked by means of hidden limiting elements, marking of a set value by means of the memory disc, temperature range 7-28 °C
 white model, without '0' setting 115 02 00



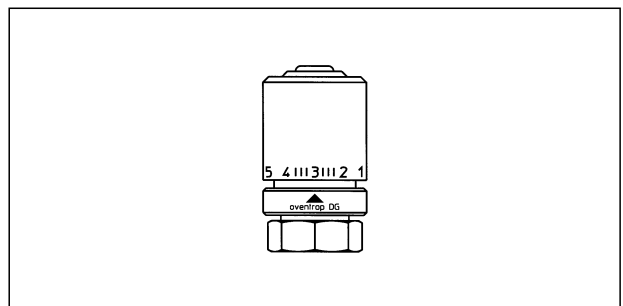
Thermostat "Uni LHZ" M 30 x 1.5

Oventrop thermostat "Uni LGH" with liquid sensor, connection thread M 30 x 1.5, temperature range can be limited or locked by means of hidden limiting elements, marking of a set value by means of the memory disc, tactile setting device, temperature range 7-28 °C. For special installation, graduation on cap turned by 180° compared to "Uni LH".
 white model, with '0' setting 101 85 61



Thermostat "Uni LG"

Oventrop thermostat "Uni DGH" with wax sensor, connection thread M 30 x 1.5, temperature range 7-28 °C For special installation, graduation on cap turned by 180° compared to "Uni DH"
 white model, with '0' setting 101 10 61



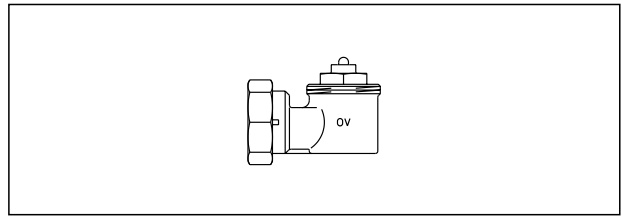
Thermostat "Uni DG"

Thermostats – Accessories

Angle pattern adapter

For the connection of thermostats at a right angle to the operating direction of the valve, especially suitable for radiators with integrated distributor, connection at the left and right hand side of the radiator.

both ports connection thread M 30 x 1.5 101 14 50

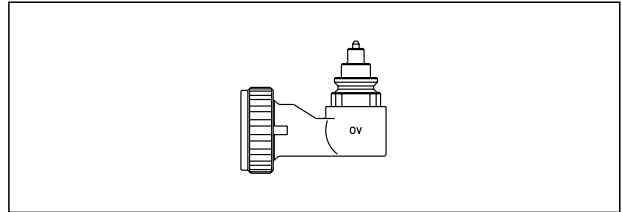


Angle pattern adapter both ports connection thread M 30 x 1.5

both ports squeeze connection

101 14 52

Thermostat side suitable for thermostats with squeeze connection ("Uni XD", "Uni LD" and "Uni CD"). Valve side suitable for valves of the company Danfoss, series RA.



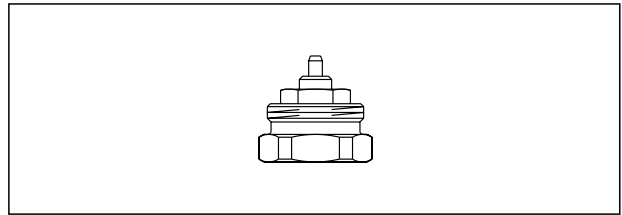
Angle pattern adapter both ports squeeze connection

Adapter

for conversion of connection thread
M 30 x 1.0 to M 30 x 1.5

101 14 45

For the connection of all thermostats and controls with connection thread M 30 x 1.5



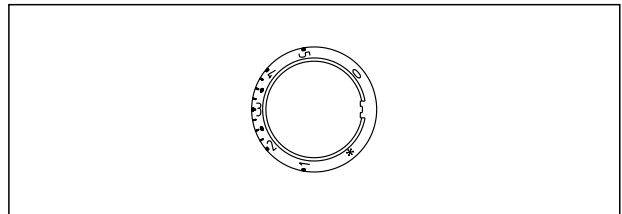
Adapter

Graduated collar "Uni-Clip" for "Uni XH" and "Uni XD"

Due to the vertical position of the figures, the set values can be easily read off in case of lateral connection of the thermostat.

5 graduated collars each for
left and right hand side installation

101 13 95



"Uni Clip"

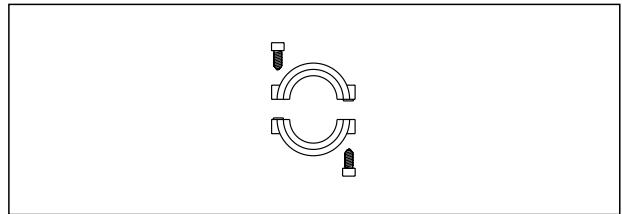
**Anti-theft ring
white model**

for thermostats "Uni XH", "Uni LH", "Uni DH",
"Uni L" and "Uni D"

101 17 66

for thermostats "Uni XD" and "Uni LD"

101 17 75



Anti-theft ring

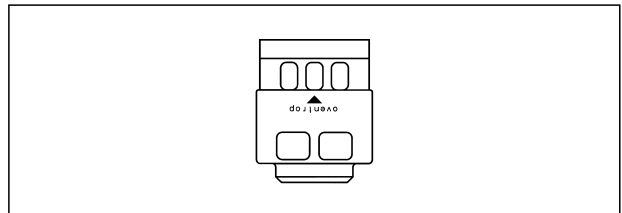
Reinforcing cap for the stabilisation and protection of the thermostat from theft and vandalism

for thermostat "Uni LH"
white model

101 18 65

for thermostat "Uni LD"
white model

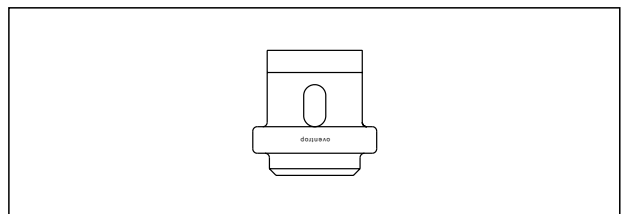
101 18 75



Reinforcing cap for "Uni LH"

for thermostats "Uni DH" and "Uni D"
white model

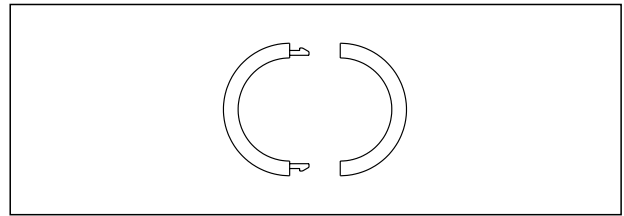
101 19 11



Reinforcing cap for "Uni DH" and "Uni D"

Cover to hide the collar nut of thermostats
white model
for collar nut of the thermostats
"Uni XH" and "Uni LH"
for collar nut of the thermostat "Uni L"

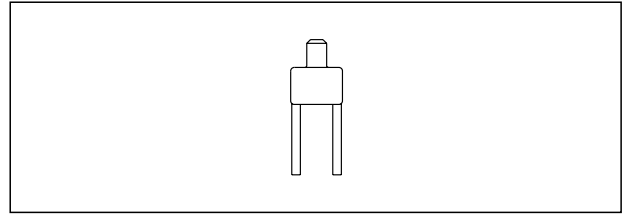
101 13 93
101 14 93



Collar nut cover

Tool for loosening the cap and clips
for thermostats "Uni LH", "Uni L", "Uni LD"
and special thermostats

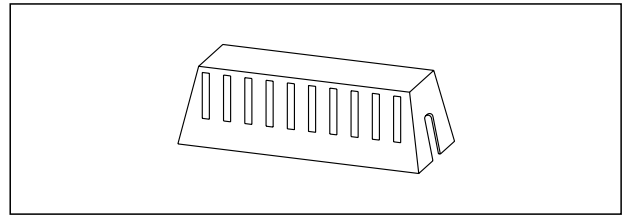
198 91 00



Tool

Cover for remote sensor, suitable for all
remote sensors

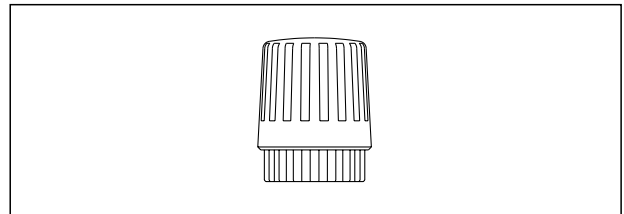
101 16 99



Cover

Manual head
Connection thread M 30 x 1.5

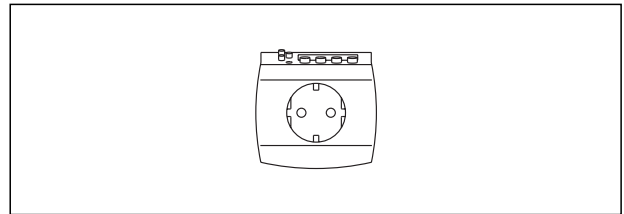
101 25 65



Manual head

Time switch for thermostats
"Uni XHZ" and "Uni XDZ"
230 V

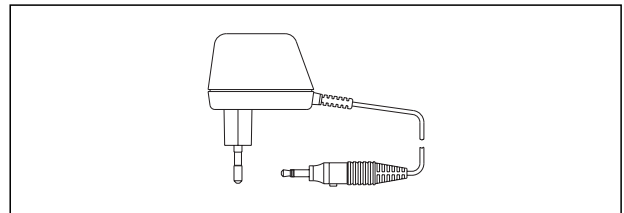
115 13 88



Time switch

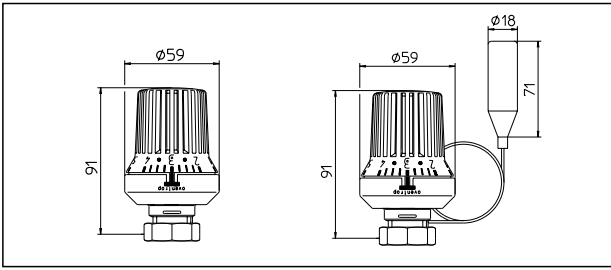
Mains adaptor for thermostats
"Uni XHZ" and "Uni XDZ"
230 V/24 V

115 13 89



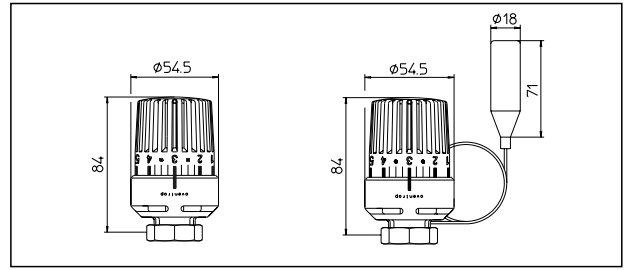
Mains adaptor

Thermostats



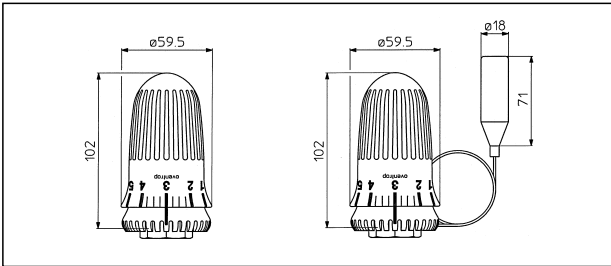
Thermostat
"Uni XH"

Thermostat
"Uni XH" with remote sensor



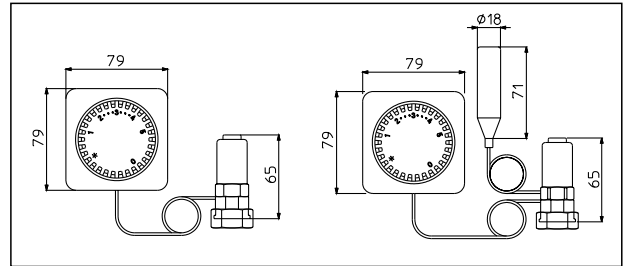
Thermostat
"Uni LH"

Thermostat
"Uni LH" with remote sensor



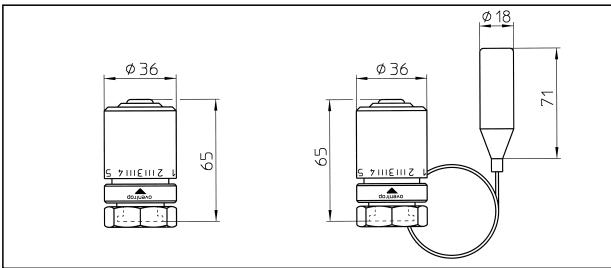
Thermostat
"Uni CH"

Thermostat
"Uni CH" with remote sensor



Remote control
depth 54 mm

Remote control with
additional remote sensor
depth 54 mm

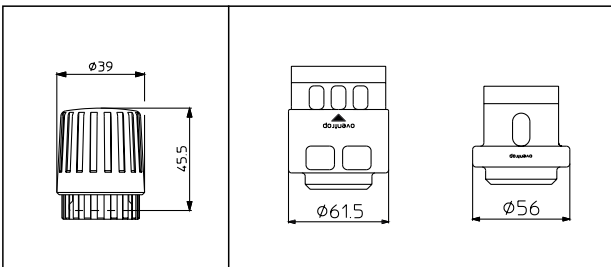


Thermostat
"Uni DH"

Thermostat
"Uni DH" with remote sensor

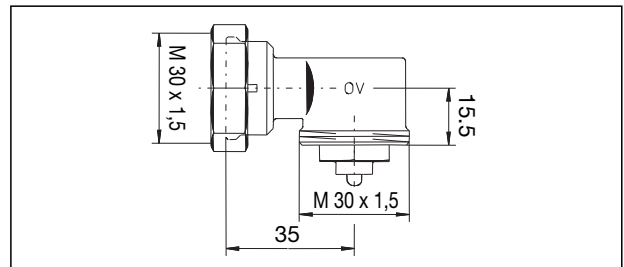
Manual head

Accessories

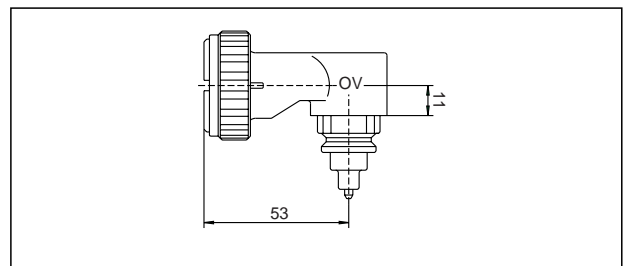


Reinforcing cap
for "Uni LH"

Reinforcing cap
for "Uni DH"



Angle pattern adapter item no. 101 14 50



Angle pattern adapter item no. 101 14 52

Demands and technical data of the thermostats combined with Oventrop valves

Demands:

Oventrop thermostatic radiator valves comply with the EN 215 standard.

In addition, the thermostatic radiator valves of the "Series F" correspond to:

- the directions of the Association for District Heating (AGWF)
- the conditions of the company Esso (TA list)

¶ The Oventrop valves of the "Series A", "Series RF", "Series AV 6", "Series F" and "Series G" with the thermostats "Uni XH", "Uni LH", "Uni L" and "Uni LG" as well as "Uni LH" and "Uni L" with remote sensor are CEN tested (Reg.-No. 6T0002).

For further details please see installation instructions.

Technical data:

- Nominal flow rate: (see flow chart in Oventrop data sheet "Thermostatic radiator valves")
- Max flow of heating water: (see flow chart in Oventrop data sheet "Thermostatic radiator valves")
- Temperature range: 7–28° C
- Position 3: $\hat{=}$ about. 20° C
- Max. differential pressure against which the valve closes:
1 bar: "Series A, AV 6, ADV 6, RF, RFV 6, AZ"
3 bar: "Series F"
- Valve body material: brass
- Hysteresis:
"Uni XH": 0.2 K
"Uni LH, Uni L": 0.2 K
"Uni CH, Uni C": 0.2 K
"Uni DH, Uni D": 0.8 K
- Heating water temperature effect:
"Uni XH": 0.37/30 K
"Uni LH", "Uni L",
"Uni CH", "Uni C": 0.65 K/30 K
"Uni DH", "Uni D": 1.0 K/30 K
"Uni XH", "Uni LH",
"Uni CH", "Uni DH"
with remote sensor: 0.2 K/30 K
- Differential pressure effect: 0.1 K–0.7 K/0.5 bar
- Closing time
"Uni XH": 22 minutes
"Uni LH, Uni L": 23 minutes
"Uni CH, Uni C": 23 minutes
"Uni DH, Uni D": 20 minutes
- Temperature resistance: 0° C - 50° C
- Max. heating water temperature:
120° C (90° C for thermostat
"Uni XHT")

Subject to technical modification without notice.

Product range 1
ti 112-1/10/10.2001/MW

Printed on paper free from
chlorine bleaching.

OVENTROP UK LTD.
Unit I – The Loddon Centre
Wade Road
Basingstoke, Hampshire RG24 8FL
Telephone (0 1256) 330441
Telefax (Sales) (0 1256) 330525
Telefax (General) (0 1256) 470970
E-Mail sales@oventrop.co.uk

F. W. OVENTROP GmbH & Co. KG
Paul-Oventrop-Straße 1
D-59939 Olsberg
Telephone (02962) 82-0
Telefax (02962) 82405
Internet <http://www.oventrop.de>
eMail mail@oventrop.de