

vandal resistant shower heads

Introduction

The Intatec range of vandal resistant showerheads is designed for use with our range of thermostatic mixing valves. The robust construction makes it suitable for use in schools, hospitals, sports and leisure facilities and other areas where there is a risk of misuse.

Reflecting the quality of the Intatec range of total washroom solutions, the unique design of the vandal resistant showerhead allows for back and bottom/back fixing in one design and is a cost effective answer for communal facilities.

the **vandal resistant heads** are designed for use with inta thermostatic mixing valves

- Modern design
- Hygienic
- High polished chrome
- Brass Body
- Hidden wall fixing for security
- Anti ligature model available
- Unique Head design
- Flexible fixing connection



■ VR993CP



VR993CP

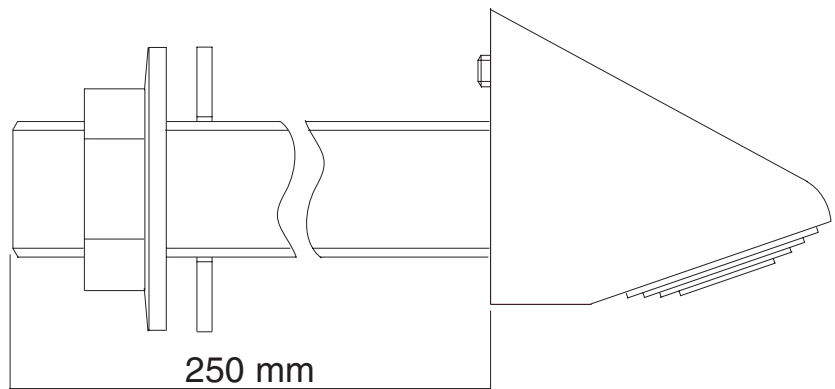
Product Range

DESCRIPTION	FINISH	CODE
VR - Prison Head	Chrome	VR993CP

Features

■ Technical Data

Max. Operating pressure	10 bar
Min. Operating pressure	0.2 bar
Max. Inlet Temperature	65°C
Exposed or concealed	G 1/2" M / 15mm Comp



■ inspiring confidence

inta

intatec limited

Airfield Industrial Estate, Hixon
Staffordshire, ST18 0PF

T: 01889 207200

F: 01889 271172

E: sales@intatec.co.uk

www.intatec.co.uk

E&OE
01/2007