

intaduo bath shower mixer

gives **total control** with dual or sequential options

Introduction

The Intaduo range of bath/shower mixers combines the benefit of a thermostatic shower and bath filler, providing safety and thermostatic control.

- Dual control bath/shower mixer for independent control of temperature and flow
- Sequential models available for the complete range
- Suitable for use with unvented supplies, combi boilers, gravity and main pressure systems
- Single piece thermal cartridge technology
- Factory set at 46°C to prevent scalding
- Temperature stability of +/-2°C
- Fail safe on hot and cold supplies
- Operating pressure range of 0.1 to 10 bar
- WRAs Approved
- Available in chrome
- Full range of kits to suit

Product Range

Description	Finish	Code No.
Dual Control	Chrome	900006CP
Sequential Control	Chrome	900008CP



■ Intaduo

Features

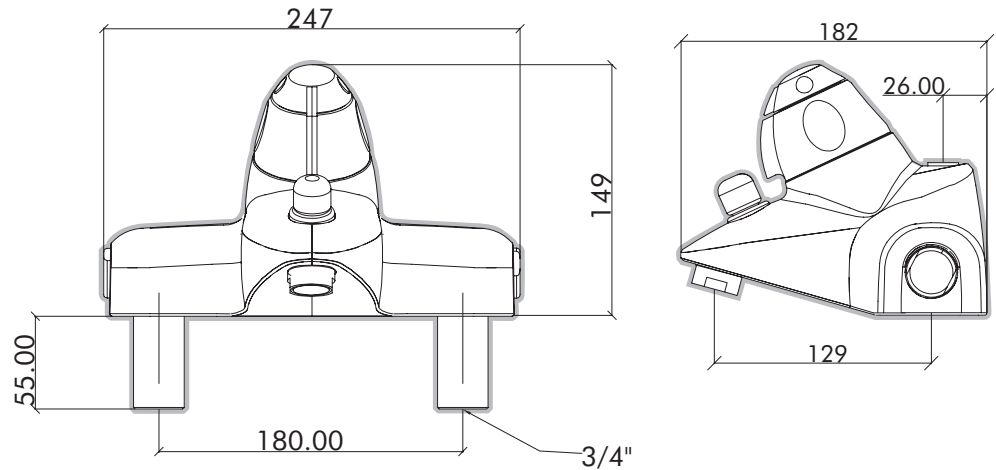
Technical Specification

Max Inlet Pressure	10 Bar
Min Inlet Pressure	0.1 Bar
Max Inlet Temperature	85°C
Factory Pre-set Temperature	46°C
Temperature Stability	+/-2°C
Inlet Connections	3/4" BSP Tails by 22mm Comp Flexible Hoses
Outlet Connections	1 x 1/2" BSP
Min Temperature to achieve hot or cold failsafe	10°C
System Installation	Unvented, Pressurised, Gravity and Combination Boilers

Performance

Open outlet shower at 43°C, bath at 46°C

Pressure drop (bars)	0.1	0.2	0.3	0.4	0.5	0.6	0.7	0.8	0.9	1.0
Bath outlet (l/m)	16	21	24	27	30	33	35	37	39	44
Shower outlet (l/m)	14	16	17.5	21	23	26	29	30	32	35



All dimensions shown in mm

inspiring confidence

inta

intatec limited

Airfield Industrial Estate, Hixon
Staffordshire, ST18 0PF

T: 01889 207200

F: 01889 271172

E: sales@intaco.co.uk

www.intaco.co.uk