

Infra Red - Wall Mounted Outlet

gives **control**
and **saving** of
water supply in
a **stylish and**
hygienic way



IR140CP

Introduction

Wall mounted electronic faucet, activated by an infrared sensor. Powered by an internally mounted 9V battery or mains voltage. Filter included. Sensor range is adjustable manually and by remote control. Other sensor settings (sensor range, delay out and security time) can also be adjusted by remote control. Faucet will automatically shut off after being used for more than 90 seconds. Sensor features a low battery level indicator.

- Water saving
- hygienic
- Solid brass structure
- Vandal proof
- Stylish and contemporary
- 9V lithium battery with IP65 protection according to European standard EN 60529 (dependant on model)
- Battery life approximately 4 years with 150 operations per day (dependant on model)
- Auto calibration of the sensor field

Product Range

Description	Finish	Code No.
Wall Mounted Outlet (battery)	Chrome	IR140CP
Wall Mounted Outlet (mains)	Chrome	IR141CP

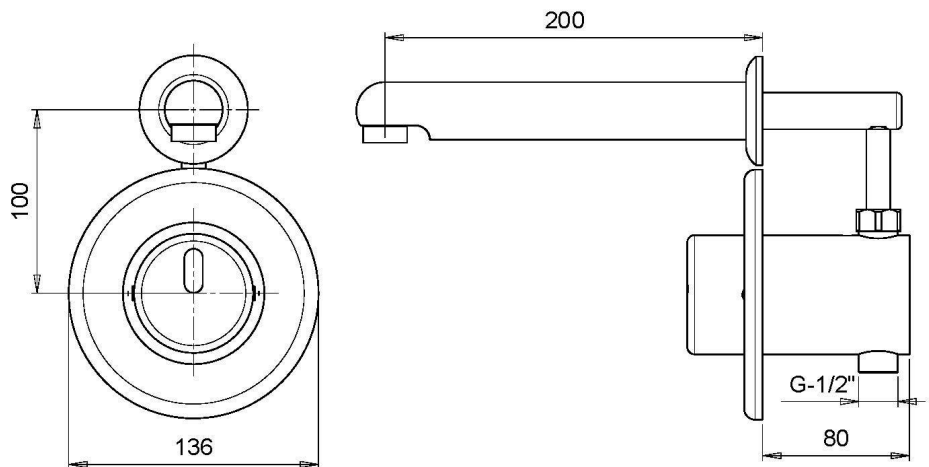
Infra Red - Wall Mounted Outlet

Features

■ Technical Specification

Power Supply*	9V battery/transformer
Temperature Operation Range	5 - 70°C
Operating Pressure Range	1.0 - 6.0 bar

* dependant on model



■ inspiring confidence

inta

intatec limited
Airfield Industrial Estate, Hixon
Staffordshire, ST18 0PF

T: 01889 207200

F: 01889 271172

E: sales@intatec.co.uk