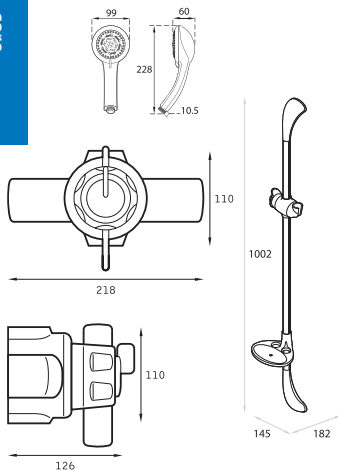


# HP Care Exposed thermostatic mixer shower



Dimensions given are approximate



Extended lever controls  
are supplied as per line  
drawings opposite



## Operating Features

- Thermostatic to within 2°C
- Separate temperature and flow controls
- Automatic shutdown if hot or cold supplies fail
- Adjustable maximum temperature stop
- Rub clean showerhead – 5 spray pattern
- Adjustable inlets 146mm to 160mm
- Flow limiters supplied

Temperature Control	Thermostatic
Inlet Connections	15mm compression
Water Entry Points	Rising, falling, back
Outlet Connection	1/2" BSP bottom
Plumbing System Compatibility	High pressure
Minimum Running Pressure/Flow	1 Bar @ 8 l/min
Maximum running pressure	5 Bar
Open outlet flow at 1 Bar	12l/min
Maximum Static Pressure	10 Bar
Pipe inlet centres	146-160mm
Maximum Flow with Flow Limiters Fitted	12l/min
Approvals, Complies with	BS EN 1111
Guarantee	3 years

Finish	Code
White/Chrome	CHP81000