


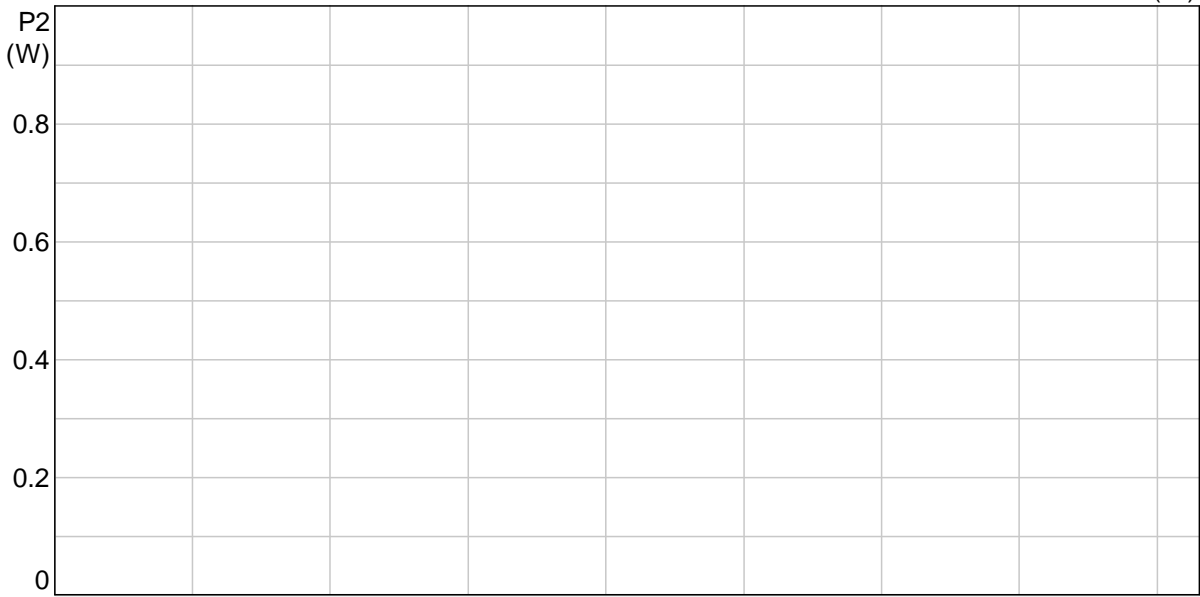
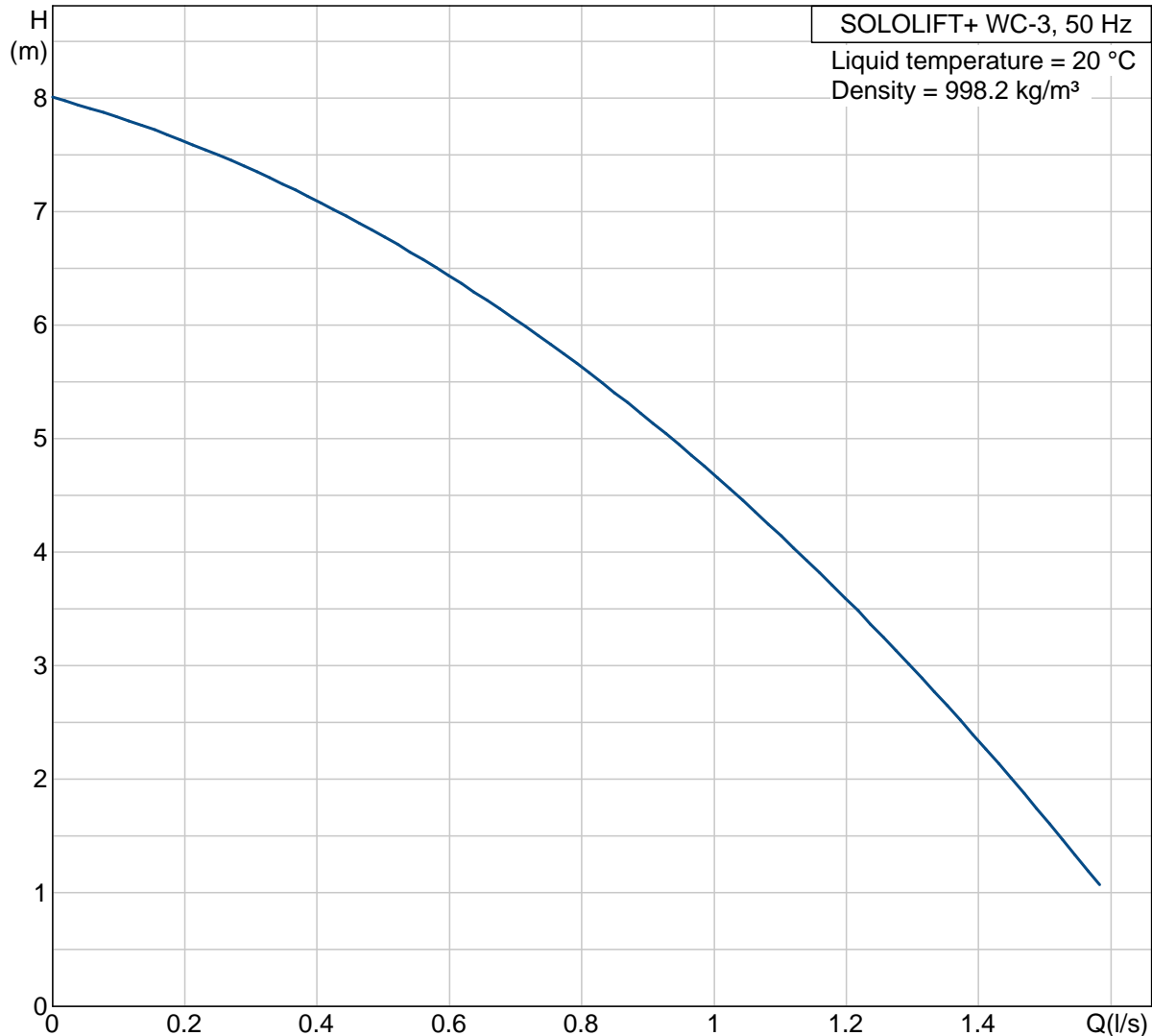
Position	Qty.	Description	Single Price
	1	<p>SOLOLIFT+ WC-3</p>  <p>Note! Product picture may differ from actual product</p> <p>Product No.: 96176925</p> <p>Sololift+ WC-3 is a small, compact automatic lifting station suitable for pumping of wastewater off places in private dwellings where wastewater cannot be led directly to the sewer by means of a natural downward slope.</p> <p>Sololift+ WC-3 is typically used for:</p> <ul style="list-style-type: none"> • toilets, cabinet showers and washbasins in basements below sewer level and • toilets, cabinet showers and washbasins installed in connection with the renovation or modernisation of existing buildings, where the location may be remote from the main soil pipe so that a natural slope cannot be established. <p>Sololift+ WC-3 is only suitable for pumping wastewater from a cabinet shower and a washbasin as well as sewage water from a toilet containing toilet paper and faeces. The pumping of liquids containing other material may cause faults and limit the scope of our guarantee.</p> <p>Liquid:</p> <p>Maximum liquid temperature: 40 °C Liquid temp: 20 °C Density: 998.2 kg/m³</p> <p>Technical:</p> <p>Resulting head of the pump: 5.84 m</p> <p>Materials:</p> <p>Tank: ABS</p> <p>Installation:</p> <p>Pump inlet: DN 100 / 3 x DN 40 Pump outlet: DN 23/25/28/32</p> <p>Electrical data:</p> <p>Power input - P1: 0.4 kW Mains frequency: 50 Hz Rated voltage: 1 x 220-240 V Rated current: 1.8 A Cos phi - power factor: 0,8 Rated speed: 2850 rpm Enclosure class (IEC 34-5): 44 Insulation class (IEC 85): F Length of cable: 1.2 m Cable type: H05VV-F Type of cable plug: WITHOUT</p>	On request



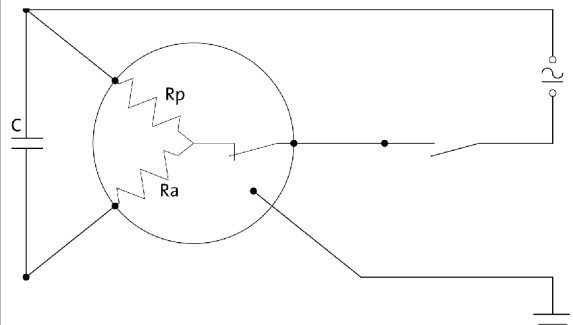
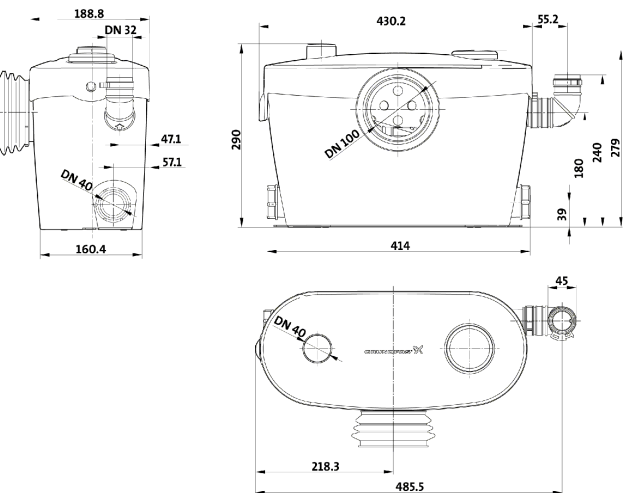
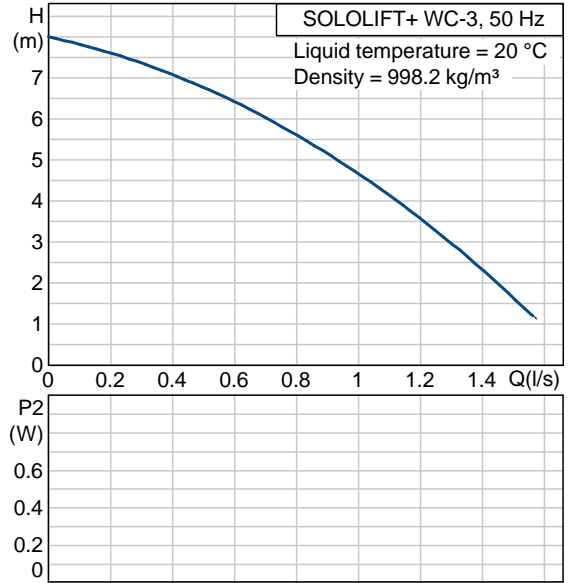
Company name: -
Created by: -
Phone: -
Fax: -
Date: -

Position	Qty.	Description	Single Price
		Others: Net weight: 6.5 kg	

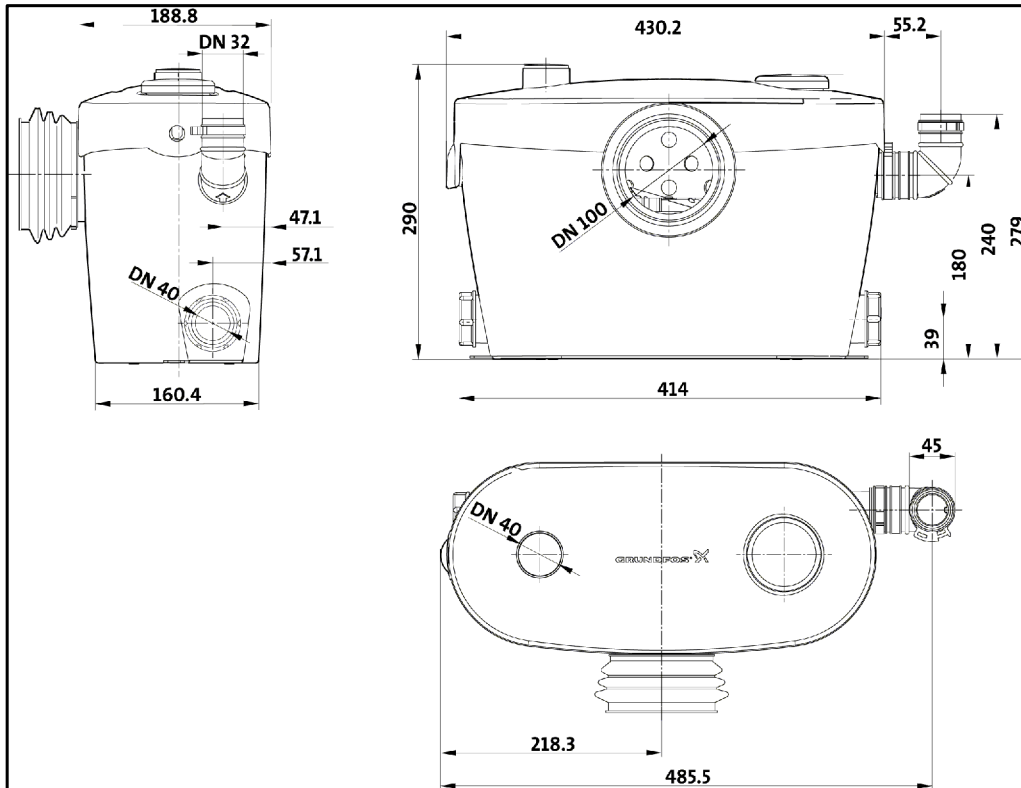
96176925 SOLOLIFT+ WC-3 50 Hz



Description	Value
Product name:	SOLOLIFT+ WC-3
Product No:	96176925
EAN number:	5700398696667
Technical:	
Resulting head of the pump:	5.84 m
Head max:	5 m
Materials:	
Tank:	ABS
Installation:	
Pump inlet:	DN 100 / 3 x DN 40
Pump outlet:	DN 23/25/28/32
Liquid:	
Maximum liquid temperature:	40 °C
Liquid temp:	20 °C
Density:	998.2 kg/m ³
Electrical data:	
Power input - P1:	0.4 kW
Mains frequency:	50 Hz
Rated voltage:	1 x 220-240 V
Rated current:	1.8 A
Cos phi - power factor:	0,8
Rated speed:	2850 rpm
Enclosure class (IEC 34-5):	44
Insulation class (IEC 85):	F
Thermal protec:	SB603
Length of cable:	1.2 m
Cable type:	H05VV-F
Type of cable plug:	WITHOUT
Cable:	Y
Cable size:	3X1MM2
Others:	
Net weight:	6.5 kg

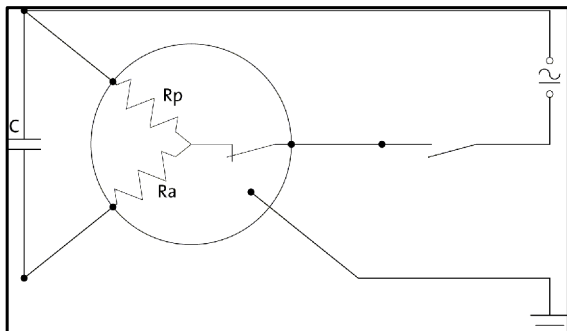


96176925 SOLOLIFT+ WC-3 50 Hz



Note! All units are in [mm] unless others are stated.
Disclaimer: This simplified dimensional drawing does not show all details.

96176925 SOLOLIFT+ WC-3 50 Hz



Note! All units are in [mm] unless others are stated.