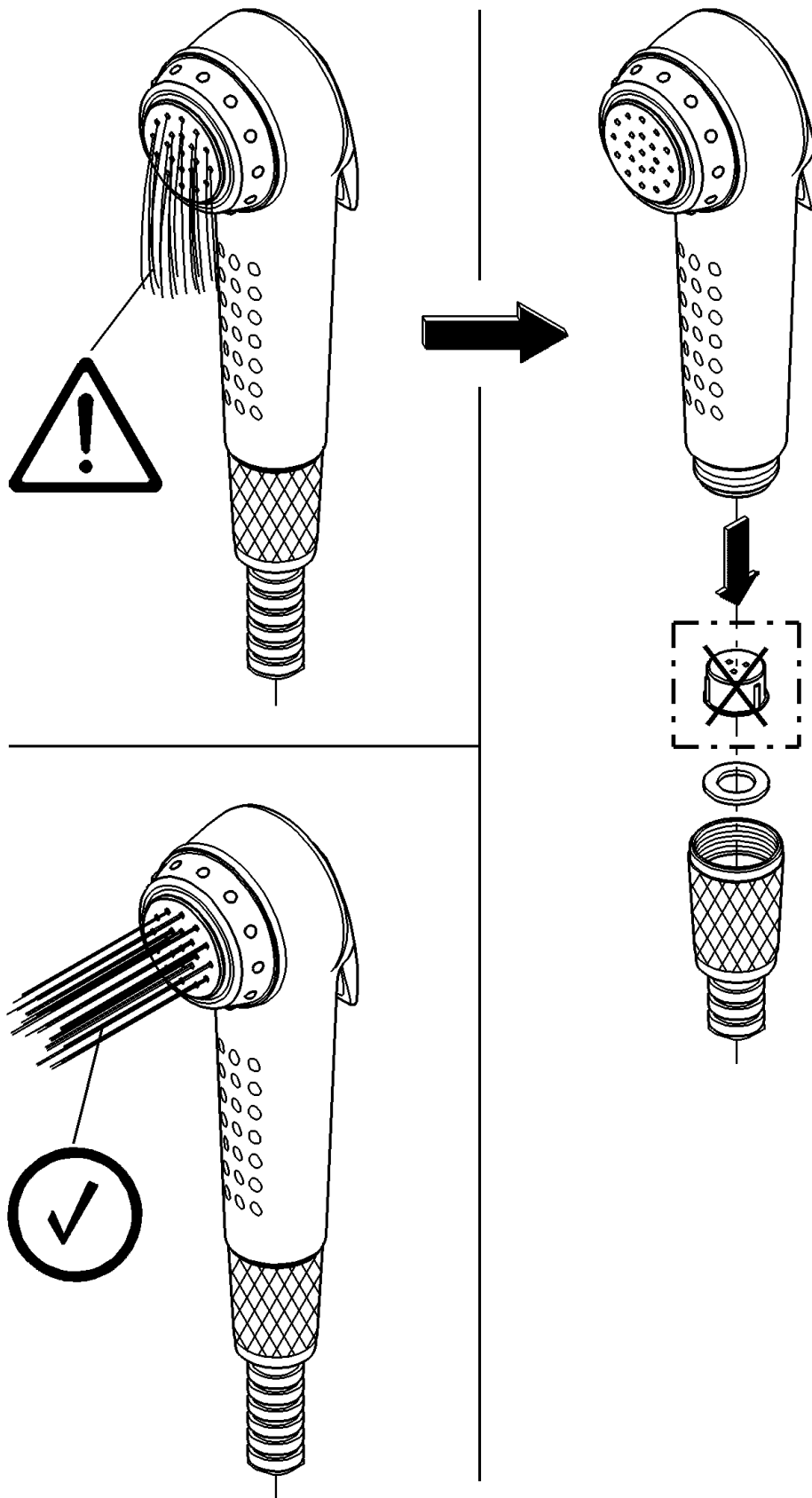


**GROHE**

WATER TECHNOLOGY

**28 020**



97.383.031/ÄM 40 881/06.98

