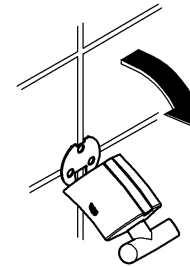
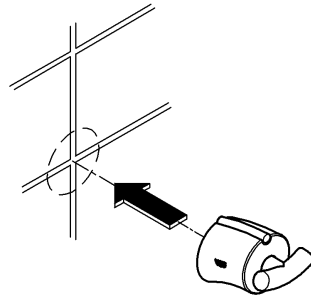
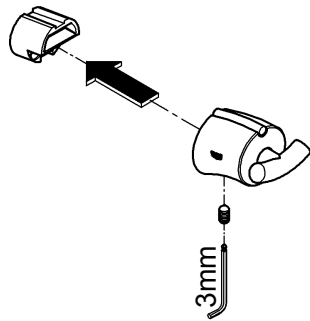




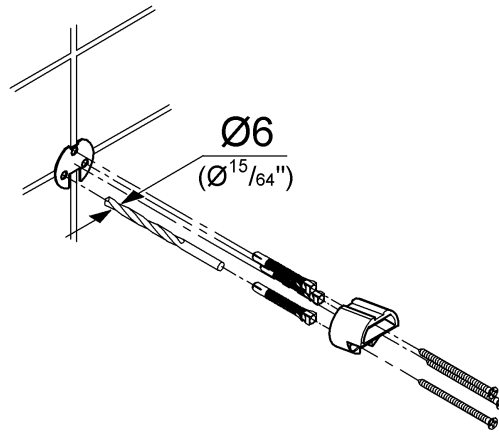
ENJOY WATER®



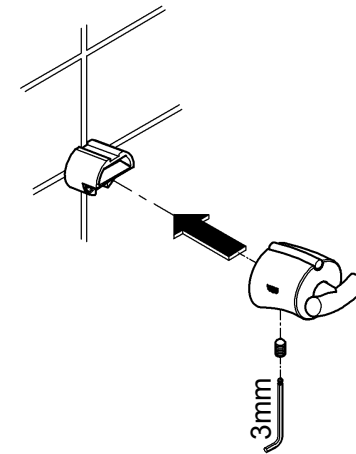
1.



2.



3.



4.

96.756.031/ÄM 212646/06.09



ENJOY WATER®

