



Before.



After.

KICKSPACE® The space saving solution.

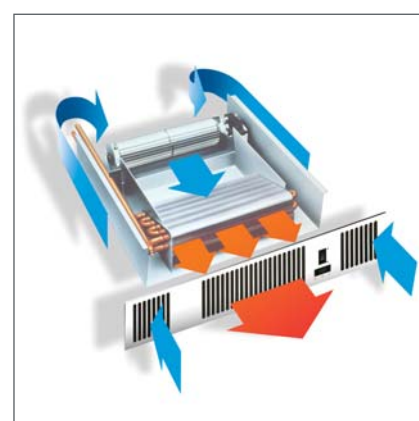
Clever by design, the **KICKSPACE®** unit fits neatly within a unit plinth or floor cavity providing a fresh thinking, innovative heating solution. Where traditional radiators take up precious wall space and restrict design possibilities, the **KICKSPACE®** heater allows freedom to tailor your home around your lifestyle. Central heating, electric and duo models available. **All units are now supplied complete with a white grille.**

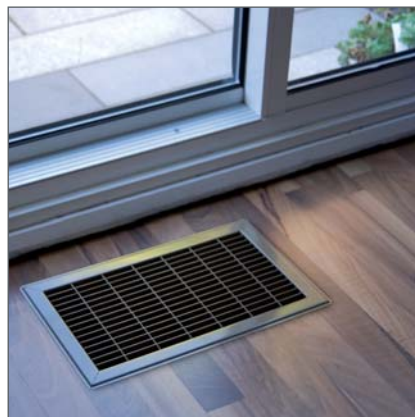
The **KICKSPACE®** can also be used alongside the **MYSON INNOKO** towel rail to provide the perfect drying and heating solution for any kitchen. For information on the **MYSON** range of towel warmers please contact Customer Services.



Effective climate control.

KICKSPACE® works by drawing room air over the heated fins of the unit heat exchanger and projecting warm air back into the room. Controls are situated on the front grille, with the unit having a choice of heating fan speeds (winter setting) as well as a fan-only (summer setting) operation. Alternatively, a remote control wall switch can be fitted to central heating and duo models for extra control and convenience.





KICKSPACE® Floor model.

KICKSPACE® Applications.

The kitchen is often where space is most at a premium and the **KICKSPACE®** can deliver the most benefits but equally, the bathroom or hallway can offer alternative applications. All versions, except the floor model, are designed to be installed horizontally into recessed locations. They require an adequate supply of inlet air and the axis of the motor must remain horizontal.



Grilles.

Accessories.

The unit grille and remote wall switch can be customised to suit any room décor with a variety of metallic and colour finish options. The remote room thermostat is supplied white as standard and is suitable for the 500, 600 & 800 hydronic models.



Remote wall switch.



Remote room thermostat.

Model details

Central Heating	Electric	Duo (Central Heating/Electric)
500	500E	500 Duo
600	600E	
800		
Floor		
600-12V		

For technical information please refer to pages 17-21.

KICKSPACE® Product Range

Hydronic Product Range

Model	Flexible Hoses*	Isolating Valves (15mm)	Electric Cable	Transformer	Fan Only Option
KICKSPACE® 500	Supplied	Supplied	2 metres (mains fitted)	N/A	Yes
KICKSPACE® 600	Supplied	Supplied	2 metres (mains fitted)	N/A	Yes
KICKSPACE® 800	Supplied	Supplied	2 metres (mains fitted)	N/A	Yes
KICKSPACE® Floor	Supplied	Supplied	2 metres (mains fitted)	N/A	Yes

Low Voltage Hydronic Product Range

Model	Flexible Hoses*	Isolating Valves (15mm)	Electric Cable	Transformer	Fan Only Option
KICKSPACE® 600-12V	Supplied	Supplied	3 metres (low voltage fitted) 2 metres (mains fitted)	Supplied (external from product)	Yes

Duo (Hydronic-Electric) Product Range

Model	Flexible Hoses*	Isolating Valves (15mm)	Electric Cable	Transformer	Fan Only Option
KICKSPACE® 500 Duo	Supplied	Supplied	2 metres (mains fitted)	N/A	Yes

Electric Product Range

Model	Flexible Hoses*	Isolating Valves (15mm)	Electric Cable	Transformer	Fan Only Option
KICKSPACE® 500E	N/A	N/A	2 metres (mains fitted)	N/A	Yes
KICKSPACE® 600E	N/A	N/A	2½ metres (mains fitted)	N/A	Yes

*750mm x 10mm bore, EPDM hoses, sheathed in AISI 304 stainless steel braid.

Please note that KICKSPACE® 600E grilles are an integral part of the product and can not be changed.

KICKSPACE® Controls

Hydronic (KICKSPACE® 500, 600, 800, 600-12V)

Fan Speed - Normal/off/boost.

Summer/Winter - Fan only/heating option.

Hydronic Electric (KICKSPACE® 500 Duo)

Summer/Off/Winter - Fan only/off/heating options.

System Selector - Central heating/electric heating.

Fan Speed - Normal/boost.

Electric (KICKSPACE® 500E)

Summer/Off/Winter - Fan only/off/heating option.

Power Selector - 1kW or 2kW.

Fan Speed - Normal/boost.

Electric (KICKSPACE® 600E)

Summer/Winter/Output.

KICKSPACE® Performance Data

Hydronic Models

It is preferable to select the model with an output capable of maintaining the calculated heat losses of the room when operating at normal speed. This will enable the boost fan speed and the higher temperature differences to be used to greater advantage for rapid warming of the room from cold in excessive conditions.

When establishing the temperature difference, i.e. mean water to room temperature, allowance should be made for temperature drop in the system. It is the water temperature at the convector which dictates the output.

Hydronic Heating Performance Data

Model	Fan Speed	Temperature Difference (°C)									
		Heat Output (watts)					Heat Output (Btu/h)				
		40°	45°	50°	55°	60°	40°	45°	50°	55°	60°
500	Normal	733	815	896	976	1056	2501	2781	3057	3331	3603
	Boost	923	1044	1166	1289	1412	3150	3564	3980	4397	4817
600	Normal	890	1048	1213	1384	1562	3036	3575	4138	4723	5329
	Boost	1279	1451	1625	1800	1977	4363	4952	5545	6143	6744
800	Normal	1396	1552	1707	1860	2012	4763	5296	5824	6346	6864
	Boost	1738	1964	2192	2420	2649	5930	6702	7478	8257	9039
Floor	Normal	622	711	802	894	987	2122	2427	2736	3049	3366
	Boost	1035	1178	1322	1468	1615	3531	4018	4510	5008	5510

Heat outputs tested in accordance with BS 4856 Part 1.

Low Voltage Hydronic Heating Performance Data

Model	Fan Speed	Temperature Difference (°C)									
		Heat Output (watts)					Heat Output (Btu/h)				
		40°	45°	50°	55°	60°	40°	45°	50°	55°	60°
600 - 12V	Normal	890	1048	1213	1384	1562	3036	3575	4138	4723	5329
	Boost	1279	1451	1625	1800	1977	4363	4952	5545	6143	6744

Heat outputs tested in accordance with BS 4856 Part 1.

Duo (Hydronic/Electric) Heating Performance Data - Electric Mode

The unit will operate on either fan speed to provide 1kW of heating.

Duo (Hydronic/Electric) Heating Performance Data - Hydronic Mode

Model	Fan Speed	Temperature Difference (°C)									
		Heat Output (watts)					Heat Output (Btu/h)				
		40°	45°	50°	55°	60°	40°	45°	50°	55°	60°
500 Duo	Normal	636	734	835	938	1043	2169	2505	2849	3201	3560
	Boost	835	958	1083	1210	1340	2849	3268	3696	4130	4571

Heat outputs tested in accordance with BS 4856 Part 1.

Flow Rate: 340 ltr/h (75 gal/h).

Flow Rate Correction Factors:

455 ltr/h (100 gal/h) multiply output by 1.03.

227 ltr/h (50 gal/h) multiply output by 0.96.

113 ltr/h (25 gal/h) multiply output by 0.85.

Approximate Hydraulic Resistance

ltr/h	mm wg						kPa					
	500	600	800	Floor	600-12V	500 Duo	500	600	800	Floor	600-12V	500 Duo
455	788	1046	911	448	1046	652	7.7	10.3	8.9	4.4	10.3	6.4
340	488	625	544	258	625	380	4.8	6.1	5.3	2.5	6.1	3.7
227	231	326	258	136	326	204	2.3	3.2	2.5	1.3	3.2	2.0
113	82	95	82	54	95	68	0.8	0.9	0.8	0.5	0.9	0.7

KICKSPACE® Performance Data (continued)**Air Flow**

Model	Air Flow (m ³ /h)		Air Flow (ft ³ /h)	
	Normal	Boost	Normal	Boost
500	70	90	2471	3177
600	106	138	3742	4872
800	139	210	4908	7415
Floor	76	169	2684	5968
600-12V	106	138	3742	4872
500 Duo	70	90	2471	3117

Noise Levels

Model	Sound Pressures at 2.5m (dBA)	
	Normal	Boost
500	25.7	38.1
600	26.4	37.2
800	28.5	49.8
Floor	27.4	56.1
600-12V	29.4	39.0
500 Duo	25.7	38.1

Weight, Water Content and Motor Power

Model	Motor Power (W)	Water Content (l)	Unit Weight (kg)
500	25	0.26	4.3
600	40	0.30	5.0
800	40	0.34	5.5
Floor	28	0.15	5.5
600-12V	40	0.30	7.9*
500 Duo	25	0.26	4.5

* Includes transformer

Noise levels tested in accordance with EN 23741.

Electric Models**Electric Heating Performance Data**

Model	Heat Output (watts)		
	Low	Medium	High
500E	1000	N/A	2000
600E	1000	2000	3000

Air Flow

Model	Air Flow (m ³ /h)		Air Flow (ft ³ /h)	
	Low	High	Low	High
500E	70	90	2471	3177
600E	210	N/A	7560	N/A

Weight

Model	Unit Weight (kg)
500E	3.0
600E	3.5

Noise Levels

Model	Sound Pressures at 2.5m (dBA)	
	Low	High
500E	27.2	40.2
600E	38.0	N/A

Noise levels tested in accordance with EN 23741.

KICKSPACE® Remote Wall Switch (optional)**Available Finishes:** White, Chrome, Brass, Brushed Stainless.

All remote wall switches are supplied with 3 metres of cable. All models are equipped to facilitate direct wiring.

Suitable for uses with standard single gang surface or recessed mounting box (not supplied). The switch must only be used to operate a single KICKSPACE® unit.

For use on Hydronic and Hydronic-Electric (Duo) models only. Not suitable for Electric only models.**N.B:** When a remote wall switch is fitted, the fan speed control switch on the KICKSPACE® fascia grille becomes inoperable and must be disconnected.**KICKSPACE® Remote Thermostat**The remote room thermostat is supplied white as standard and is suitable for 500, 600 & 800 **Hydronic** models.**KICKSPACE® Grille Colour Options**

KICKSPACE® models 500, 600, 800, 600-12V, 500 Duo and 500E are supplied with a White (RAL 9003) grille. All these models are also available in Brown (RAL 8017), Black (RAL 9011), Chrome, Brushed Stainless Steel and Aluminium. The 600E fascia grille is an integral part of the product and can not be removed and is supplied with either a White or Brown grille. The floor unit model is only available with a Beige grille.

KICKSPACE® Electrical Data

All KICKSPACE® models require an electrical supply of 220-240V-50Hz. All models can be used in conjunction with a room thermostat, however it is essential that the thermostat used is capable of carrying the electrical load.

N.B: Low voltage models comply with BS 7671 section 601 (IEE Safety Extra Low Voltage wiring regulations for bathrooms). The transformer complies with BS 3535. Where a remote switch or thermostat is used, the line voltage to both is 12 volts maximum.

Hydronic (KICKSPACE® 500, 600 & 800)

Supplied with 2 metres of cable (0.75mm²).
Requires a supply fused at 3A.

Hydronic Electric (KICKSPACE® 500 Duo)

Supplied with 2 metres of cable (0.75mm²).
Requires a supply fused at 5A.

Low Voltage Hydronic (KICKSPACE® 600-12V)

Supplied with 2 metres of cable (0.75mm²).
Requires a supply fused at 3A.

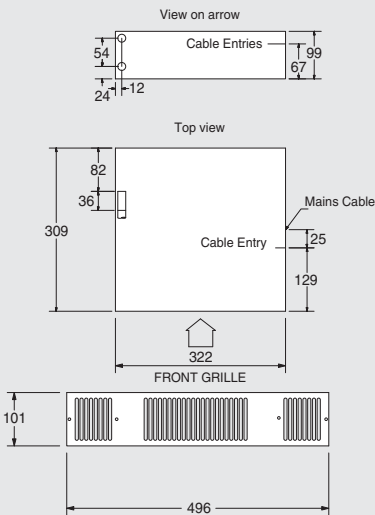
Electric (KICKSPACE® 500E & 600E)

500E supplied with 2 metres of cable (1.0mm²).
Requires a supply fused at 10A.

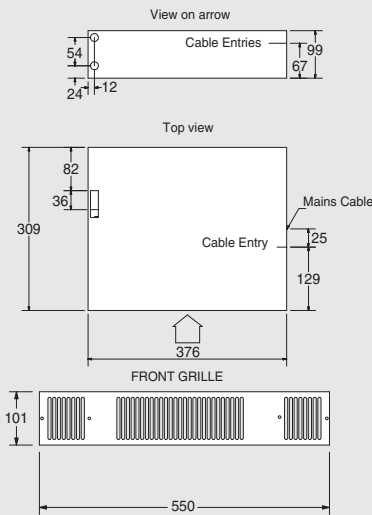
600E supplied with 2½ metres of cable (1.0mm²).
Requires a supply fused at 13A.

KICKSPACE® Dimensions

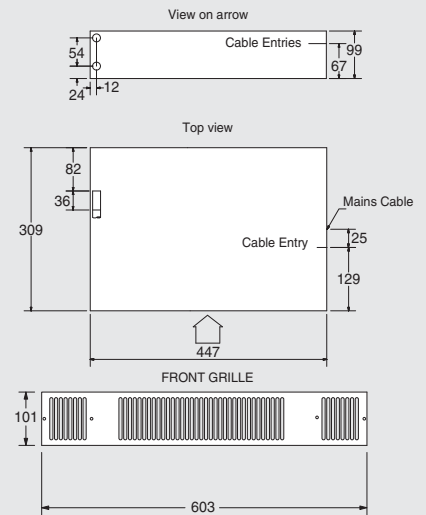
KICKSPACE® 500



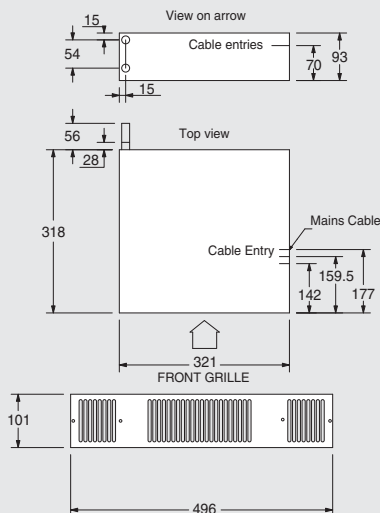
KICKSPACE® 600



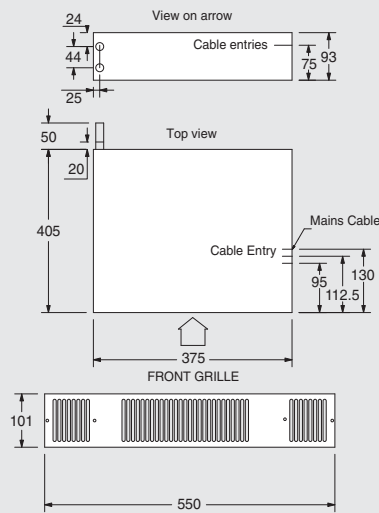
KICKSPACE® 800



KICKSPACE® 500 Duo



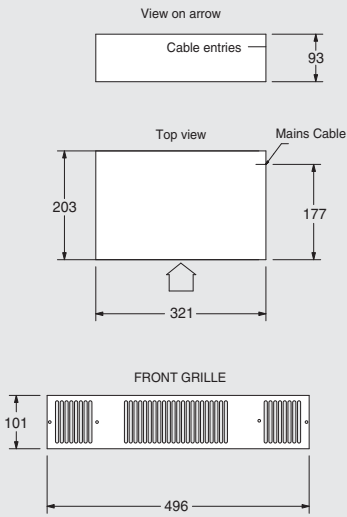
KICKSPACE® 600-12V



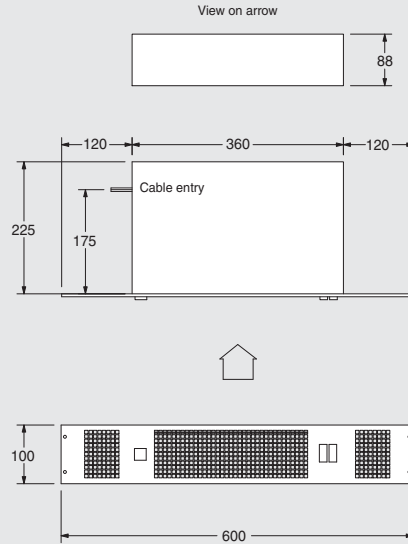
N.B: Add 4.5mm to the chassis height of the above models to allow for rubber mountings and screws.

KICKSPACE® Dimensions (continued)

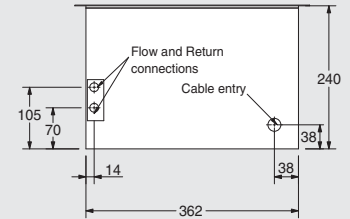
KICKSPACE® 500E



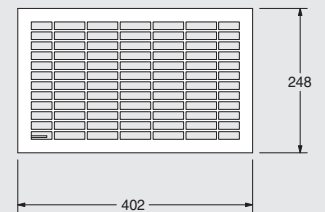
KICKSPACE® 600E



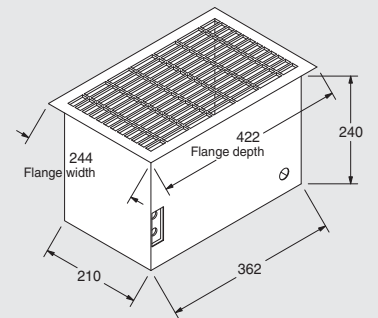
KICKSPACE® Floor



Connections



Dimensional View

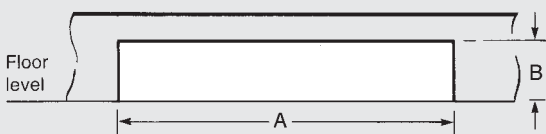


N.B: KICKSPACE® 500E: Add 4.5mm to the chassis height of the above models to allow for rubber mountings and screws.

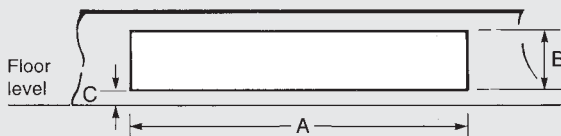
N.B: All connections accessible from the top of unit.

KICKSPACE® Kickboard Dimensions

Option A (Excluding 500E)



Option B (Excluding 600E)



Dimensions of opening to be cut in Kickboard - KICKSPACE® 500, 600, 600-12V, 800, 500 Duo, 500E, 600E

Model	Dimensions (mm)		
	A	B	C
500, 500 Duo, 500E	466	99	17
600, 600-12V	520	99	17
800	573	99	17
600E	540	95	N/A