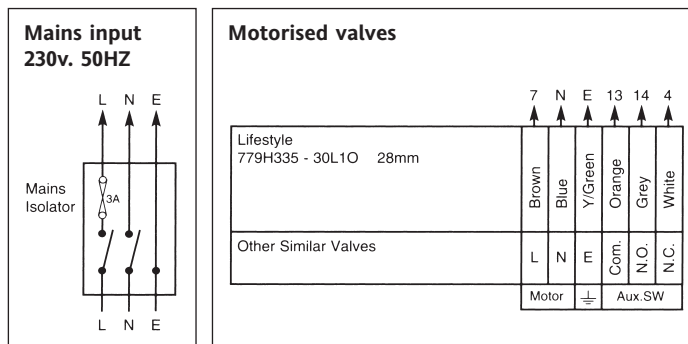
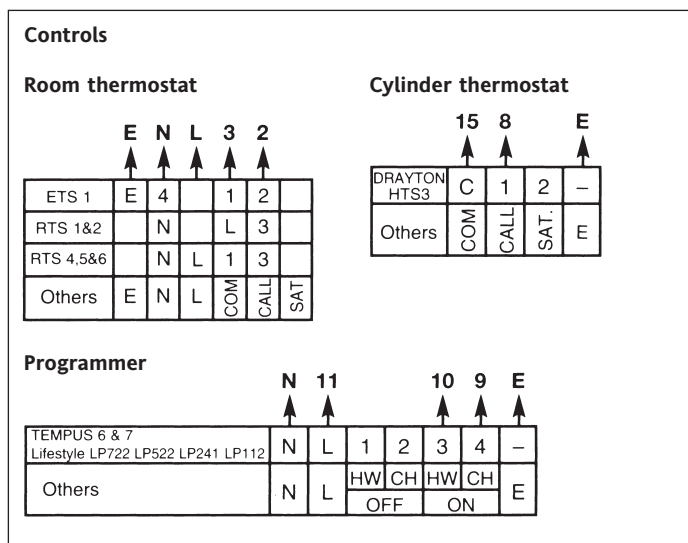
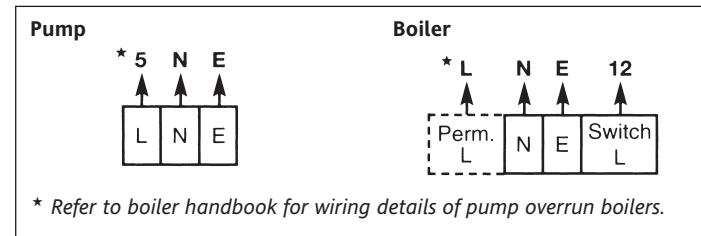
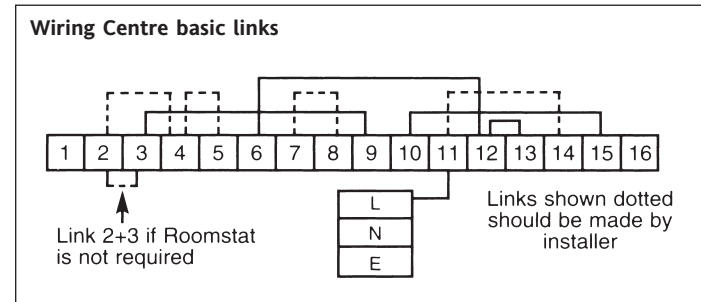


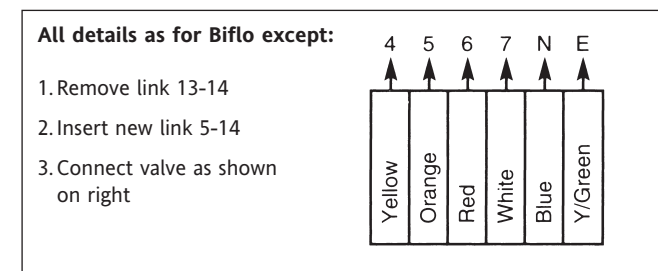
## C-Plan type systems, valve on gravity HW return

### Connections

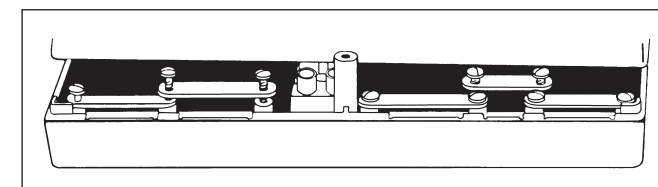
The numbers printed at the tip of each arrow represent the Wiring Centre terminals to which those leads or terminals should be connected.



## Switchmaster midi valve systems



## Cable clamps arrangement



### Invensys Climate Controls Europe

Sales: +44 (0) 845 130 5522  
 Helpline: +44 (0) 845 130 7722  
 Email: customerservices@invensys.com

CONFORMS TO THE ESSENTIAL REQUIREMENTS OF THE FOLLOWING DIRECTIVES:  
 89/336/EEC - Electromagnetic compatibility  
 73/23/EEC - Low voltage Directive



090-675 Iss B  
0803

# Drayton

## LWC1 Wiring Centre Wiring guide

Wiring centres, designed to simplify wiring installations and circuit checking, lose some of their value if they are not in themselves easy to understand and use. The Drayton LWC1 wiring centre has been introduced to meet this requirement.

The LWC1 is suited to all popular central heating and hot water systems, with adequate wiring space, terminals and cable access points. Its use will save the installer time and uncertainty, both at the time of installation or in any subsequent checking.

This wiring guide covers, in a superb easy-to-understand manner, the main systems in popular use. It assumes that the installer can identify from the boiler, pump and controls

literature to hand, the elementary mains supply and switch terminals or leads. The result is a handy pocket-sized wiring guide which does not suffer from superfluous detail and which makes the busy installer's job that much easier.

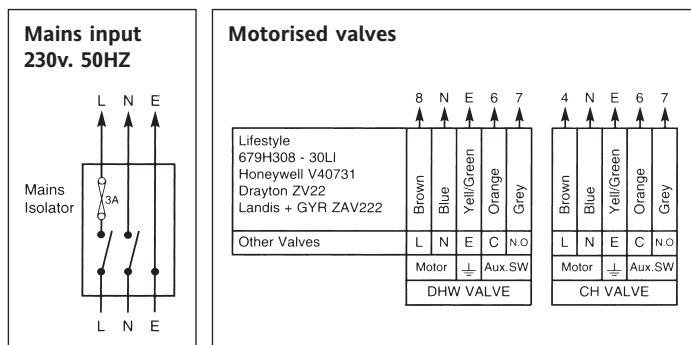
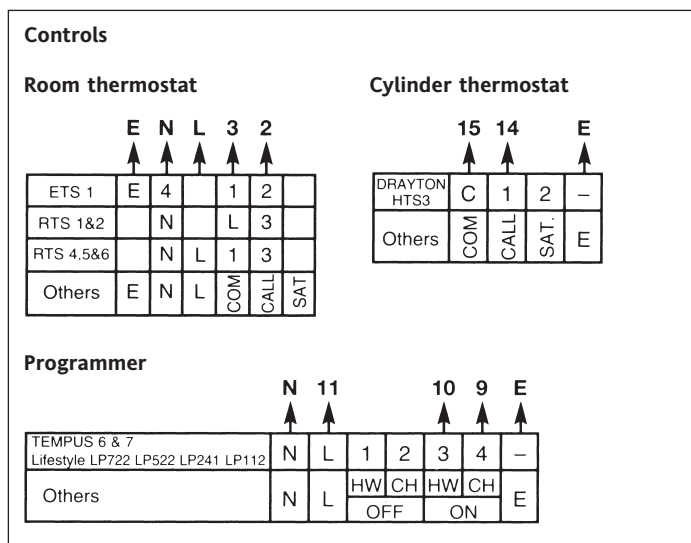
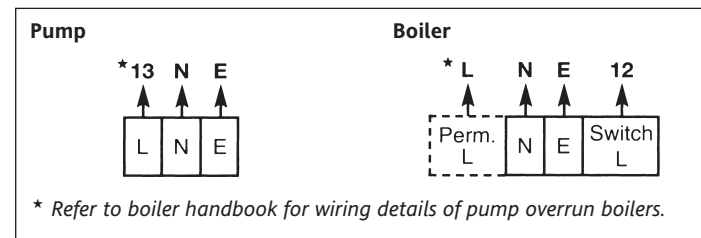
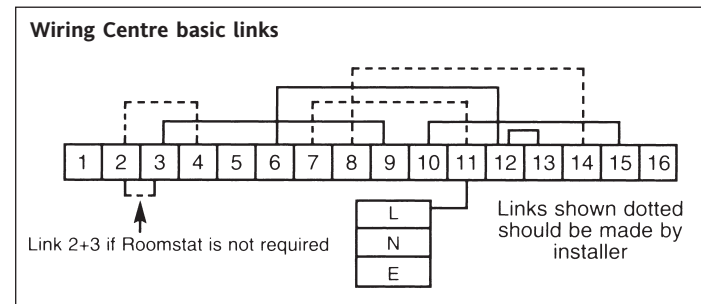
Although Drayton are not consultants and cannot offer to design systems, they will readily provide advice on the use of the LWC1 in any system not covered.

*NB: All wiring must be to latest I.E.E. standards and carried out by a competent, qualified installer.*

## Spring return 2-valve systems 22mm (twinzone, s-plan etc.)

### Connections

The numbers printed at the tip of each arrow represent the Wiring Centre terminals to which those leads or terminals should be connected.



## Mid-position spring return valve systems (biflo, flowshare, y-plan, etc.)

### Connections

The numbers printed at the tip of each arrow represent the Wiring Centre terminals to which those leads or terminals should be connected.

