

## D171C Compression Ended Bronze Ball Valve D171CEXS Compression Ended Bronze Ball Valve with Extension Stem

Crane D171 Ball Valves are light, compact units which are easy to install and operate, yet their robust construction ensures long, trouble free service life.

In addition the D171C and D171CEXS are WRAS approved.

### Materials

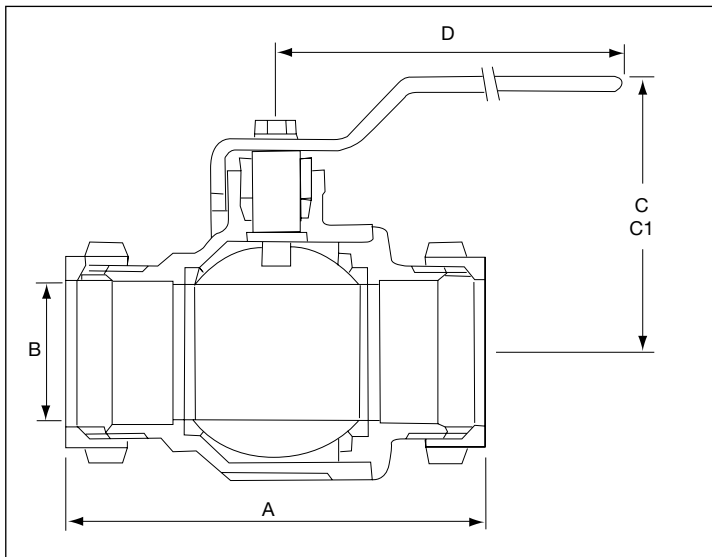
Part	Material	Sizes
Body	Bronze BSEN1982 CC491K	All
Seat Retainer	Bronze BSEN1982 CC491K	All
Ball	DZR Brass BSEN12165 CW602N (Chrome plated)	All
Seat Ring	PTFE	All
Stem	DZR Brass BSEN12164 CW602N	All
Packing	PTFE	All
Gland Nut	Brass BSEN12164 CW617N	All
Lever	Mild Steel (Zinc Plated)	D171C
Screw	Mild Steel (Zinc Plated)	D171C
Lever Cover	P.V.C.	D171C
Compression Olive	DZR Brass BSEN12164 CW602N	All
Compression Nut	DZR Brass BSEN12165 CW602N	All
Extension Housing	Aluminium	D171CEXS
Extension Stem	DZR Brass BSEN12164 CW602N	D171CEXS



D171C

D171CEXS

### Dimensional Drawing



### Dimensions and Weights

Size	Weight (kg)	A (mm)	B (mm)	C (mm)	C1 (mm) D171CEXS	D (mm)
15mm	0.27	80	15	52	97	92
22mm	0.51	84	20	58	98	92
28mm	0.78	95	25	65	118	127
35mm	1.19	111	32	70	124	127
42mm	1.82	124	40	83	142	142
54mm	3.28	149	50	91	149	142

### Pressure/Temperature Ratings

#### Compression

Temperature °C	2 - 30	65	120
Pressure (bar)	16	10	5

Intermediate pressure ratings shall be determined by interpolation

**Pressure Rating:** PN16

**UK End Connection:** Compression end to BSEN 1057 table 4

**Operator:** Lever

#### Specification:

End Entry, Quarter Turn, Tight Shut-Off

PTFE seats and stem seal, WRAS listed.

This valve is intended Group 2 liquids only, as defined by the Pressure Equipment Directive 97/23/EC.