

TECHNICAL DATASHEET

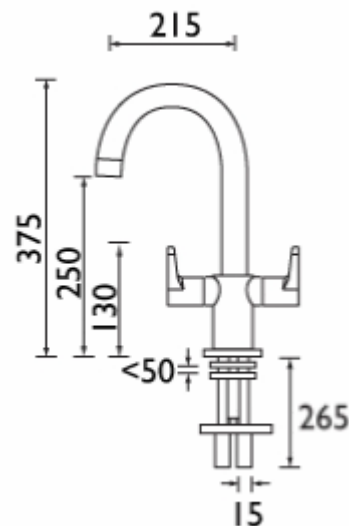
QUEST QUEST MONOBLOC SINK MIXER

Product Specification

Product Code:	QST SNK C
Finish:	Chrome
Product Type:	Contemporary
Construction:	Bodies are of all brass construction and are designed to conform to BS EN 200
Valve Type:	¼ turn ½" ceramic disc valves
Supply:	Suitable for all plumbing systems
Inlet Connections:	10mm screw-in copper inlet tails
Water Pressure:	Min. 0.2 bar, Max. 8.0 bar



© Bristan Group 2009



Additional Information

- Incorporates swivel spout
- Supplied with metal handles
- Product supplied with single check valve
- Chrome plated to BS EN 248

Technical Advice: For further information please call 0844 7016273 or email customer@bristan.com.
Guarantee: 5 years covering manufacturing faults.

Compliance/Approvals

WRAS: Certificate No: 0902105

Flow Rates (litres per minute)

System Pressure	0.2bar	0.5bar	1bar	2bar	3bar	5bar
QST SNK C	9.82	17.75	26.59	37.92	46.67	60.51