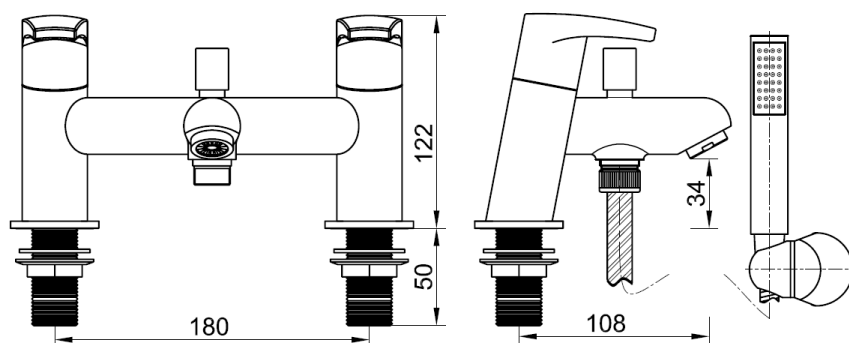


## ORTA BATH SHOWER MIXER CHROME

### Product Specification

<b>Product Code:</b>	OR BSM C
<b>Finish:</b>	Chrome
<b>Product Type:</b>	Contemporary
<b>Construction:</b>	Body is of brass construction
<b>Valve Type:</b>	¾" Ceramic disc valve ¼ turn
<b>Supply:</b>	Suitable for all plumbing systems
<b>Inlet Connections:</b>	2 x ¾" BSP threaded tails
<b>Outlet Connection:</b>	M24 Flow straightener
<b>Water Pressure:</b>	Min 0.2bar Max 7.0bar



### Additional Information

- Metal back nuts and handles.
- Chrome plated to BS EN 248.
- Supplied with 1750mm shower hose, rub clean handset and wall bracket.

**Technical Advice:** For further information please call 0844 7016273 or email [customer@bristan.com](mailto:customer@bristan.com)  
**Guarantee:** 5 years covering manufacturing faults.

### Compliance/Approvals

**WRAS:** Pending

**Flow Rates** (litres per minute, open outlet)

System Pressure	0.2bar	0.5bar	1bar	2bar	3bar	5bar
OR BSM C (bath fill)	17.2	28.1	40.3	58.0	71.3	118.90
OR BSM C (handset)	3.5	6.1	9.3	15.3	20.1	27.1

Bristan, Birch Coppice Business Park, Dordon, Tamworth, B78 15G  
 Telephone: 0844 701 6274 Facsimile: 0844 701 6275  
 Web Site: [www.bristan.com](http://www.bristan.com) Email: [enquire@bristan.com](mailto:enquire@bristan.com)

