

TECHNICAL DATASHEET

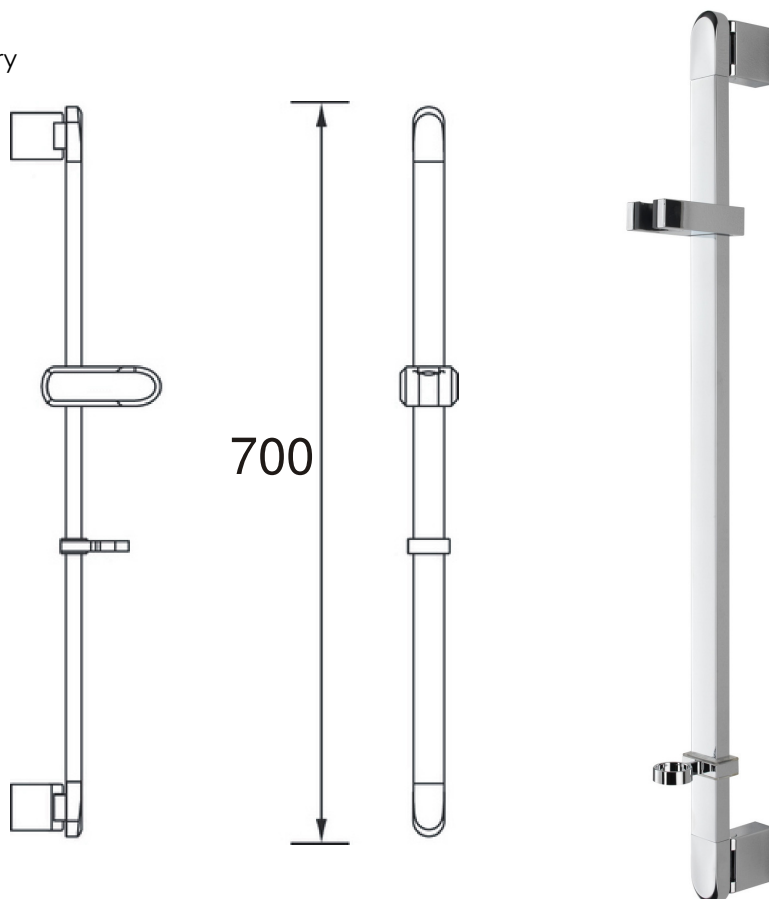
BRISTAN

SHOWER ACCESSORIES

SQUARE ADJUSTABLE RISER

Product Specification

Product Code: ADR6 C
Finishes: Chrome
Product Type: Contemporary



© Bristan Group 2009

Additional Information

- Incorporates swivel rail feature.
- Product consists of riser rail, slider and hose retainer.
- Chrome plated to BS EN 248.

Technical Advice: For further information please call 0844 7016273 or email customercare@bristan.com
Guarantee: 5 years covering manufacturing faults

Bristan, Birch Coppice Business Park, Dordon, Tamworth, B78 1SG
Telephone: 0844 701 6274 Facsimile: 0844 701 6275
Web Site: www.bristan.com Email: enquire@bristan.com

