

NERO

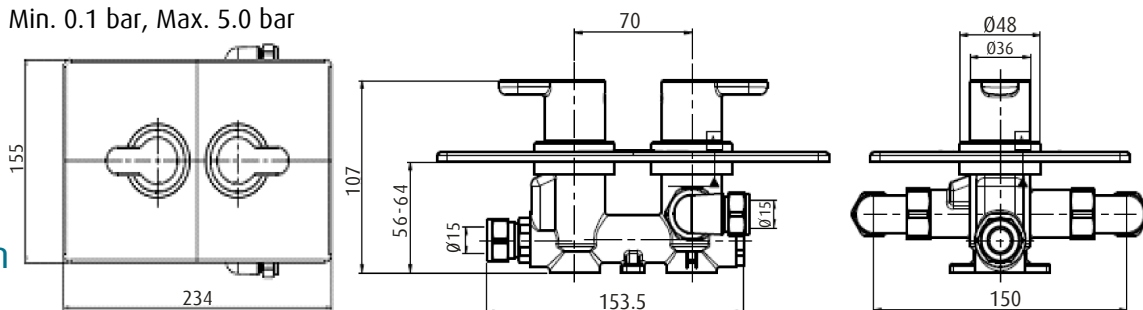
NERO THERMOSTATIC RECESSED DUAL CONTROL SHOWER VALVE

Product Specification

Product Code:	NR SHCVO C
Finish:	Chrome
Product Type:	Contemporary
Construction:	Body is of brass construction
Valve Type:	¼ turn ¾" ceramic disc valve
Cartridge Type:	Thermostatic cartridge
Supply:	Suitable for all plumbing systems, preferably balanced
Inlet Connections:	15mm compression elbows with 150mm centres
Outlet Connection:	15mm compression
Water Pressure:	Min. 0.1 bar, Max. 5.0 bar



Additional Information



- Supplied with metal handles.
- Dual control – Flow and temperature are controlled separately, giving accurate control of both.
- Thermostatic cartridge maintains showering temperature to +/- 1°C by compensating for changes in the incoming water temperature and pressure giving the stable outlet temperature.
- Automatic shut off in the event of hot or cold water supply failure, thus reducing the risk of any injury.
- Factory set to a maximum of 42°C to eliminate the ability to select an unsafe temperature.
- Swivel inlet elbows with 150mm centres, valve can be fed from top, bottom or rear.
- Suitable for minimum wall cavity depth of 55mm.
- Extension kit available to cater for thicker wall thicknesses. Order separately – SHC EXT01 C
- Shower supplied as 'valve only' and thus can be customised by choosing accessories from our Pick 'N' Mix showering options. Please see our Product and Price Guide for details.
- Chrome plated to BS EN 248.

Technical Advice: For further information please call 0844 7016273 or email customer@bristan.com.
Guarantee: 5 years covering manufacturing faults.

Compliance/Approvals

WRAS: Pending

Flow Rates (litres per minute, open outlet)

System Pressure	0.2bar	0.4bar	0.6bar	1bar	2bar	3bar
NR SHCVO C	9.1	13.9	17.1	22.6	32.1	40.0

Bristan, Birch Coppice Business Park, Dordon, Tamworth, B78 15G
 Telephone: 0844 701 6274 Facsimile: 0844 701 6275
 Web Site: www.bristan.com Email: enquire@bristan.com

