

TECHNICAL DATASHEET



PRISM

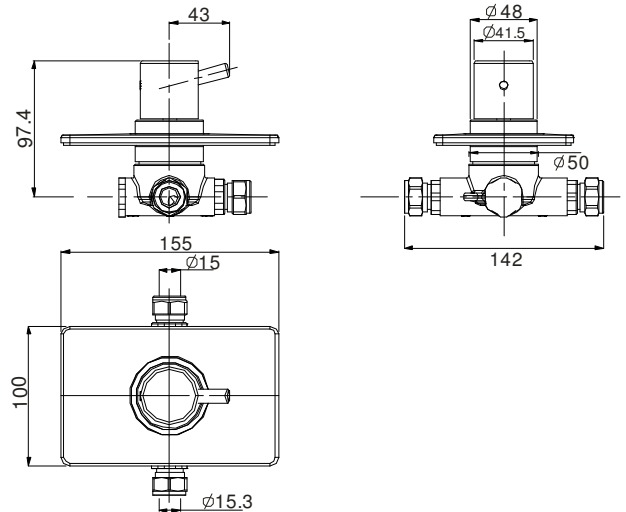
PRISM DIVERTER (TWO OUTLETS)



© Bristan Group 2009

Product Specification

Product Code:	PM 3WDIV C
Finish:	Chrome
Product Type:	Contemporary
Construction:	Bodies are of all brass construction
Cartridge Type:	Ceramic Cartridge Diverter
Supply:	Suitable for all plumbing systems
Inlet Connections:	2 x G 1/2" female
Outlet Connection:	2 x G 1/2" female
Working Pressure:	Min. 0.2 bar, Max. 8.0 bar



Additional Information

- Two inlet ports enabling diverter to be top or bottom fed with one inlet blanked off.
- Two outlet ports giving separate supply to two individual outlets.
- Mixed water must be supplied to the diverter, thus must be used in conjunction with thermostatic shower valve, blending valve or two stop cocks.
- Must be supported by rigid pipework.
- Diverter does not act as on/off control, will only direct the flow of water.
- Supplied with metal handle.
- Single handle operation.
- To be used in conjunction with our Pick 'N' Mix showering options. Please see our Product and Price Guide for details.
- Chrome plated to BS EN 248.

Technical Advice: For further information please call 0844 7016273 or email customer@bristan.com.
Guarantee: 5 years covering manufacturing faults.

Compliance/Approvals

WRAS: Pending

Flow Rates (litres per minute, open outlet)

System Pressure	0.2bar	0.5bar	1bar	2bar	3bar	5bar
Exit V	10.5	17.4	25.2	36.9	43.9	55.9
Exit V+D combined	6.3	10.6	15.3	21.6	25.6	32.5
Exit D	7.6	13.0	19.2	23.6	33.7	42.0

