

# TECHNICAL DATASHEET

# BRISTAN

## MONTREAL MONTREAL MONOBLOC SINK MIXER



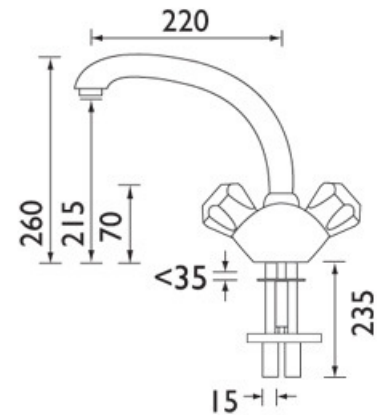
© Bristan Group 2009

### Product Specification

- Product Code:** M SNK C, M SNK BGE, M SNK MOC, M SNK WHT
- Finishes:** Chrome, Beige, Mocca, White
- Product Type:** Contemporary
- Construction:** Tap bodies are of all brass construction
- Valve Type:** 1/2" Standard valve
- Supply:** Suitable for all plumbing systems, preferably balanced
- Inlet Connections:** 15mm screw-in copper inlet pipes
- Water Pressure:** Min 2.0 bar Max. 7.0 bar

### Additional Information

- Incorporates swivel spout.
- Dual flow.
- Supplied with metal heads.
- Supplied with fixing nut.
- Chrome plated to BS EN 248.



**Technical Advice:** For further information please call 0844 7016273 or email [customer@bristan.com](mailto:customer@bristan.com)

**Guarantee:** 5 years covering manufacturing faults

### Compliance/Approvals

**WRAS:** Certificate No. 0601115

### Flow Rates (litres per minute)

System Pressure	0.2bar	0.4bar	1bar	2bar	3bar	5bar
Monobloc Sink Mixer (mixed)	6.46	9.61	16.01	22.89	28.08	36.34

