

# TECHNICAL DATASHEET



## ENZOR

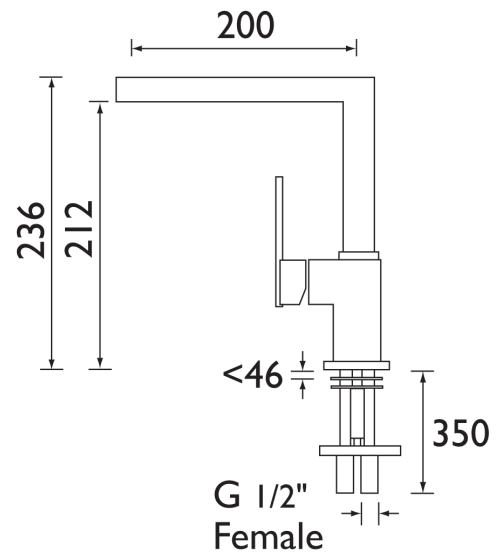
### ENZOR SINK MIXER



### Product Specification

<b>Product Code:</b>	EN SNK C
<b>Finish:</b>	Chrome
<b>Product Type:</b>	Contemporary
<b>Construction:</b>	Body is of brass construction and is designed to conform to BS EN 817
<b>Valve Type:</b>	35mm ceramic disc cartridge
<b>Supply:</b>	Suitable for all plumbing systems
<b>Inlet Connections:</b>	M10 x 15mm flexible connecting pipes
<b>Water Pressure:</b>	Min. 1.0 bar, Max. 10.0 bar

© Bristan Group 2009



### Additional Information

- Supplied with two non-return valves.
- Supplied with metal handle.
- Chrome plated to BS EN 248.

**Technical Advice:** For further information please call 0844 7016273 or email [customer care@bristan.com](mailto:customer care@bristan.com).  
**Guarantee:** 5 years covering manufacturing faults.

### Compliance/Approvals

**WRAS:** Pending

#### Flow Rates (litres per minute)

System Pressure	1bar	1.5bar	2bar	3bar	4bar	5bar
EN SNK C (mixed)	6.1	7.1	8.3	10.2	12.5	13.9

