

BACCHUS

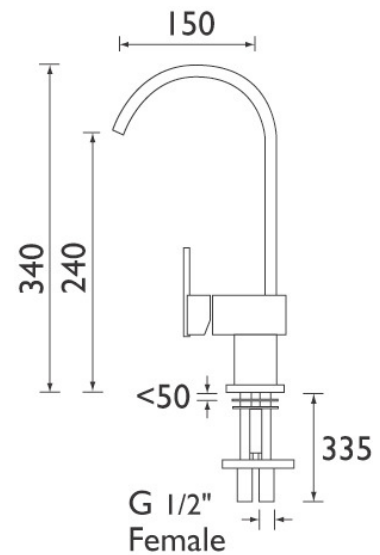
BACCHUS SINK MIXER

Product Specification

Product Code:	BA SNK C
Finish:	Chrome
Product Type:	Contemporary
Construction:	Body is of brass construction and is designed to conform to BS EN 817
Valve Type:	35mm ceramic disc cartridge
Supply:	Suitable for all plumbing systems
Inlet Connections:	M10 x 15mm flexible connecting pipes
Water Pressure:	Min. 1.0 bar, Max. 10.0 bar



© Bristan Group 2009



Additional Information

- Supplied with two non-return valves.
- Supplied with metal handle.
- Chrome plated to BS EN 248.

Technical Advice: For further information please call 0844 7016273 or email customer care@bristan.com.
Guarantee: 5 years covering manufacturing faults.

Compliance/Approvals

WRAS: Pending

Flow Rates (litres per minute)

System Pressure	1bar	1.5bar	2bar	3bar	4bar	5bar
BA SNK C (mixed)	8.9	11.0	12.8	15.8	18.3	20.5