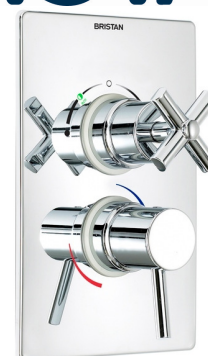


QUADRANT

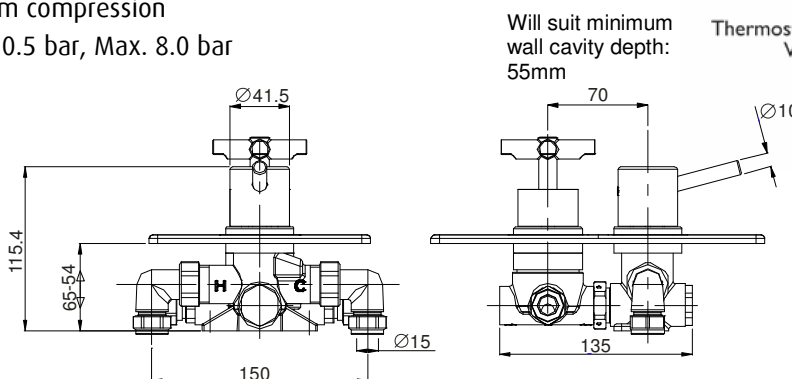
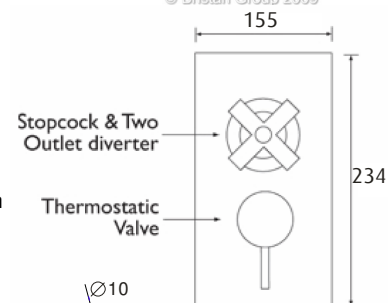
QUADRANT THERMOSTATIC RECESSED SHOWER VALVE WITH INTEGRAL DIVERTER (TWO OUTLETS)

Product Specification

Product Code:	QT TSHCDIV C
Finish:	Chrome
Product Type:	Contemporary
Construction:	Body is of brass construction
Cartridge Type:	Thermostatic cartridge
Supply:	Suitable for all plumbing systems, preferably balanced
Inlet Connections:	15mm compression elbows with 150mm centres
Outlet Connection:	15mm compression
Working Pressure:	Min. 0.5 bar, Max. 8.0 bar



© Bristan Group 2009



Additional Information

- Supplied with hose outlet.
- Supplied with metal handles.
- Dual control – Flow and temperature are controlled separately, giving accurate control of both.
- Thermostatic cartridge maintains showering temperature to +/- 1°C by compensating for changes in the incoming water temperature and pressure giving the stable outlet temperature.
- Automatic shut off in the event of hot or cold water supply failure, thus reducing the risk of any injury.
- Factory set to a maximum of 42°C to eliminate the ability to select an unsafe temperature.
- Swivel inlet elbows with 150mm centres, valve can be fed from top, bottom or rear.
- Suitable for minimum wall cavity depth of 55mm.
- Extension kit available to cater for thicker wall thicknesses. Order separately – SHC EXT01 C
- Shower supplied as 'valve only' and thus can be customised by choosing accessories from our Pick 'N' Mix showering options. Please see our Product and Price Guide for details.
- Chrome plated to BS EN 248.
- Concealing plate material = ABS (Plastic)

Technical Advice: For further information please call 0844 7016273 or email customer@bristan.com.
Guarantee: 5 years covering manufacturing faults.

Compliance/Approvals

WRAS: Pending

Flow Rates (litres per minute, open outlet)

System Pressure	0.5bar	1bar	1.5bar	2bar	3bar	5bar
Outlet 1 (letter 'D' stamped on casting)	6.7	9.8	12.0	13.9	17.0	22.0
Outlet 2 (letter 'V' stamped on casting)	9.0	13.2	17.7	19.0	23.3	30.1

Bristan, Birch Coppice Business Park, Dordon, Tamworth, B78 15G
 Telephone: 0844 701 6274 Facsimile: 0844 701 6275
 Web Site: www.bristan.com Email: enquire@bristan.com

