

TECHNICAL DATASHEET

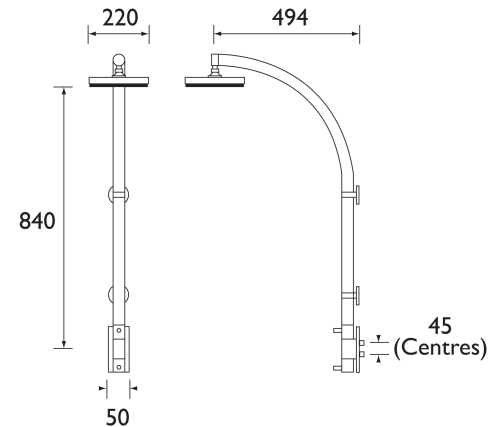
PRISM

PRISM THERMOSTATIC INLINE VERTICAL SHOWER POLE WITH FIXED HEAD



Product Specification

| | |
|--------------------------------|--|
| Product Code: | PM VSHXSP C |
| Finish: | Chrome |
| Product Type: | Contemporary |
| Construction: | Bodies are of all brass construction |
| Cartridge Type: | Thermostatic cartridge |
| Supply: | Suitable for all plumbing systems, preferably balanced |
| Inlet Connections: | 15mm push-fit |
| Outlet Connection: | ½" BSP |
| Water Pressure: | Min 0.5 bar, Max. 5.0 bar |
| Dimensions for Fitting: | 45mm inlet centres |



Additional Information

- Dual control – flow and temperature are controlled separately, giving accurate control of both
- Thermostatic cartridge maintains showering temperature to +/- 1°C by compensating for changes in the incoming water temperature and pressure giving the stable outlet temperature.
- Automatic shut off in the event of hot or cold water supply failure, thus reducing the risk of scalding.
- Factory set to a maximum of 38°C to eliminate the ability to select an unsafe temperature - this can be manually over-ridden up to 46°C to suit user preference.
- Utilises unique fast fit system – wall mount WMNT10 C
- Supplied with single function swivel overhead shower rose with easy to clean rub clean face.
- Chrome plated to BS EN 200

Technical Advice: For further information please call 0844 7016273 or email customercare@bristan.com.
Guarantee: 5 years covering manufacturing faults.

Compliance/Approvals

WRAS: Pending

Flow Rates

| System Pressure | 0.5bar | 1bar | 1.5bar | 2bar | 3bar |
|-----------------|--------|------|--------|------|------|
| PM VSHXSP C | 5.2 | 7.6 | 9.4 | 11.1 | 13.3 |