

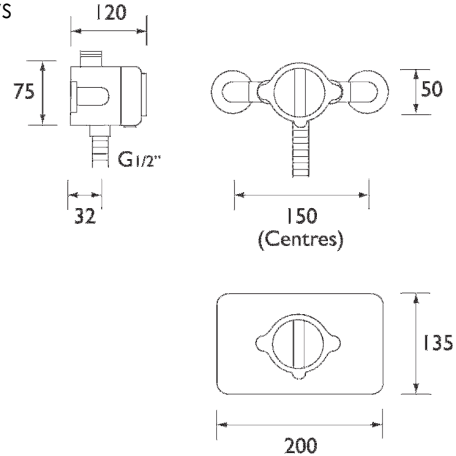
CHILL

CHILL THERMOSTATIC SURFACE MOUNTED SHOWER VALVE ONLY



Product Specification

Product Code:	CL CSHXVO C
Finish:	Chrome
Product Type:	Contemporary
Construction:	Body is of brass construction
Cartridge Type:	Thermostatic cartridge
Supply:	Suitable for all plumbing systems, preferably balanced
Inlet Connections:	15mm compression elbows
Outlet Connection:	G 1/2"
Water Pressure:	Min 0.1bar, Max. 5.0bar
Dimensions for Fitting:	150mm inlet centres



Additional Information

- Dual control – flow and temperature are controlled separately, giving accurate control of both.
- Thermostatic cartridge maintains showering temperature to +/- 1°C by compensating for changes in the incoming water temperature and pressure giving the stable outlet temperature.
- Automatic shut off in the event of hot or cold water supply failure, thus reducing the risk of scalding.
- Factory set to a maximum of 42°C to eliminate the ability to select an unsafe temperature – this is adjustable to suit user preference.
- Swivel inlet elbows with 150mm centres, valve can be fed from top, bottom or rear.
- Concealing plate kit available separately – KIT UNI SQR1 C.
- Shower supplied as 'valve only' and thus can be customised by choosing accessories from our Pick 'N' Mix showering options. Please see our Product and Price Guide for details.
- Chrome plated to BSN 248

Technical Advice: For further information please call 0844 7016273 or email customer@bristan.com
Guarantee: 5 years covering manufacturing faults.

Compliance/Approvals

WRAS: Pending



Flow Rates (litres per minute, open outlet)

System Pressure	0.2bar	0.5bar	1bar	2bar	3bar	5bar
CL CSHXVO C	9.5	15.1	23.3	31.8	38.9	50.2

