

TECHNICAL DATASHEET



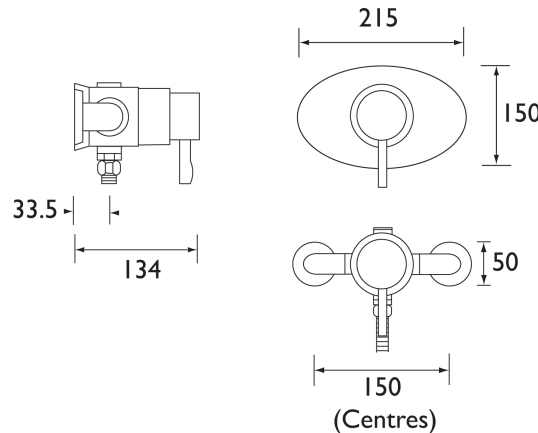
PRISM

PRISM THERMOSTATIC SINGLE CONTROL SURFACE MOUNTED SHOWER VALVE



Product Specification

Product Code:	PM SQSHXVO C
Finish:	Chrome
Product Type:	Contemporary
Construction:	Body is of brass construction
Cartridge Type:	Thermostatic cartridge
Supply:	Suitable for all plumbing systems, preferably balanced
Inlet Connections:	15mm compression elbows
Outlet Connection:	G 1/2"
Water Pressure:	Min 0.1bar, Max. 8.0bar
Dimensions for Fitting:	150mm inlet centres



Additional Information

- Single control – flow and temperature are controlled together with the sequential thermostatic cartridge.
- Thermostatic cartridge maintains showering temperature to +/- 1°C by compensating for changes in the incoming water temperature and pressure giving the stable outlet temperature.
- Automatic shut off in the event of hot or cold water supply failure, thus reducing the risk of scalding.
- Factory set to a maximum of 43°C to eliminate the ability to select an unsafe temperature – this is adjustable to suit user preference.
- Swivel inlet elbows with 150mm centres, valve can be fed from top, bottom or rear.
- Concealing plate kit available separately – KIT UNI OVL3 C.
- Shower supplied as 'valve only' and thus can be customised by choosing accessories from our Pick 'N' Mix showering options. Please see our Product and Price Guide for details.
- Chrome plated to BSN 248

Technical Advice: For further information please call 0844 7016273 or email customer care@bristan.com
Guarantee: 5 years covering manufacturing faults.

Compliance/Approvals

WRAS: Pending

Flow Rates (litres per minute, open outlet)

System Pressure	0.2bar	0.6bar	1bar	2bar	3bar	5bar
PM SQSHXVO C	12.0	22.0	29.0	40.5	50.0	64.0

Bristan, Birch Coppice Business Park, Dordon, Tamworth, B78 15G
 Telephone: 0844 701 6274 Facsimile: 0844 701 6275
 Web Site: www.bristan.com Email: enquire@bristan.com

