

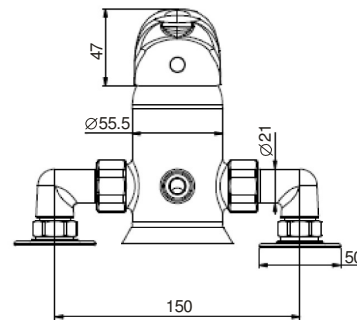
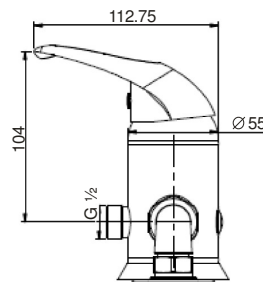
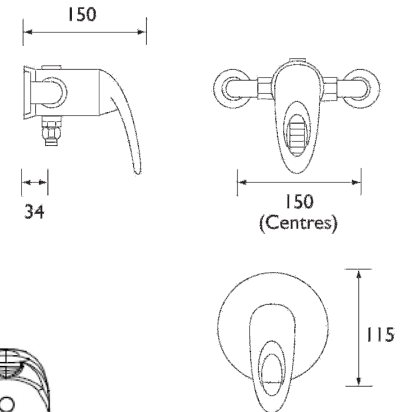
TECHNICAL DATASHEET

JAVA

JAVA MANUAL SURFACE MOUNTED SHOWER VALVE ONLY

Product Specification

Product Code:	J SHXMVO C
Finish:	Chrome
Product Type:	Contemporary
Construction:	Body is of brass construction
Cartridge/Valve Type:	40mm Ceramic Cartridge
Supply:	Suitable for all plumbing systems, preferably balanced
Inlet Connections:	15mm compression elbows
Outlet Connection:	G 1/2"
Water Pressure:	Min 0.1 bar, Max. 10.0bar
Dimensions for Fitting:	150mm inlet centres



Additional Information

- Single Lever Control - Flow and temperature are controlled by an easily operated single handle
- Ceramic cartridge ensures future maintenance, cost and inconvenience is kept to a minimum
- It should be noted this shower is non-thermostatic therefore not sensitive to changes in incoming temperature or pressure
- Swivel inlet elbows with 150mm centres, valve can be fed from top, bottom or rear.
- Concealing plate kits available separately – KIT UNI RND1 C.
- Chrome plated to BS EN 248.
- Metal handle.

Technical Advice: For further information please call 0844 7016273 or email customercare@bristan.com.
Guarantee: 5 years covering manufacturing faults.

Compliance/Approvals

WRAS: Pending

Flow Rates (litres per minute, open outlet)

System Pressure	0.1bar	0.2bar	0.5bar	1bar	3bar	5bar
J SHXMVO C	5.2	7.3	11.5	16.6	29.4	38.0

