

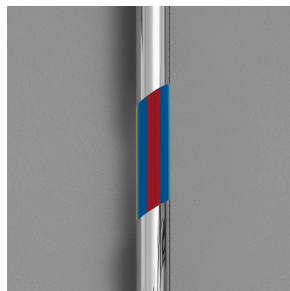
PRISM

PRISM MINI TWINLINE THERMOSTATIC SHOWER VALVE WITH ADJUSTABLE RISER (CEILING FED)

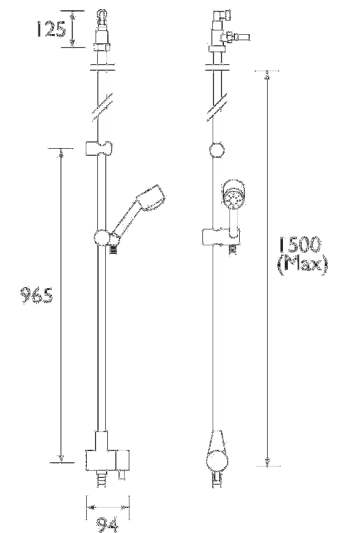


Product Specification

Product Code:	PM MTLSHX C
Finish:	Chrome
Product Type:	Contemporary
Construction:	Body is of brass construction
Cartridge Type:	Thermostatic cartridge
Supply:	Suitable for all plumbing systems, preferably balanced
Inlet Connections:	15mm compression connections with built in isolations
Outlet Connection:	G ½"
Water Pressure:	Min 0.1bar, Max. 10.0bar



Anti Scald safety feature
Cold water feed encases hot to ensure safe temperature



Additional Information

- Single Control – Flow and temperature are controlled together with the sequential thermostatic cartridge.
- Thermostatic cartridge maintains showering temperature to +/- 1°C by compensating for changes in the incoming water temperature and pressure giving the stable outlet temperature.
- Automatic shut off in the event of hot or cold water supply failure, thus reducing the risk of scalding.
- Factory set to a maximum of 43°C to eliminate the ability to select an unsafe temperature – this is adjustable to suit user preference
- Shower can be fitted directly to solid walls, or pre-tiled wall. Shower is ceiling fed and cold water feed encases hot to prevent riser from getting hot.
- Supplied with integral riser rail, 1.5m shower hose, hose retainer and single function handset with rub clean nozzles.
- Chrome plated to BSN 248.

Guarantee: 5 years covering manufacturing faults.

Compliance/Approvals

WRAS: Pending

Flow Rates (litres per minute, open outlet)

System Pressure	0.1bar	0.2bar	0.4bar	0.6bar	0.8bar	1bar
Filters fitted (without flow regulators)	6.2	9.6	15.3	18.8	22.1	24.8

System Pressure	0.5bar	1bar	2bar	3bar	4bar	5bar
With flow regulators fitted	7.5	9.2	8.8	9.5	9.8	9.8

