

TECHNICAL DATASHEET

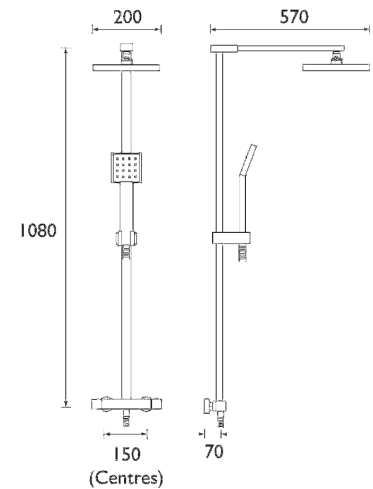


QUADRATO

QUADRATO THERMOSTATIC SURFACE MOUNTED SHOWER VALVE WITH DIVERTER & FAST FIX

Product Specification

Product Code:	QD SHXDIVFF C
Finish:	Chrome
Product Type:	Contemporary
Construction:	Body is of brass construction
Cartridge Type:	Thermostatic cartridge
Supply:	Gravity (when pumped) and pressurised
Inlet Connection:	15mm compression
Outlet Connection:	G 1/2"
Water Pressure:	Min 0.5bar, Max. 10.0bar
Dimensions for Fitting:	150mm inlet centres



Additional Information

- Dual control – flow and temperature are controlled separately, giving accurate control of both.
- Thermostatic cartridge maintains showering temperature to +/- 1°C by compensating for changes in the incoming water temperature and pressure giving the stable outlet temperature.
- Automatic shut off in the event of hot or cold water supply failure, thus reducing the risk of scalding.
- Factory set to a maximum of 38°C to eliminate the ability to select an unsafe temperature – this can be manually over-ridden up to 46°C to suit user preference.
- Supplied with 1.5m hose, single function handset and 200mm square rose, both with rub clean nozzles.
- Utilises unique fast fit system – WMNT10 C
- Chrome plated to BSN 248.

Technical Advice: For further information please call 0844 7016273 or email customer@bristan.com
Guarantee: 5 years covering manufacturing faults.

Compliance/Approvals

WRAS: Pending

Flow Rates (litres per minute, open outlet)

System Pressure	0.5bar	1bar	2bar	3bar	5bar
QD SHXDIVFF C	7.5	11.1	16.1	19.9	25.5

