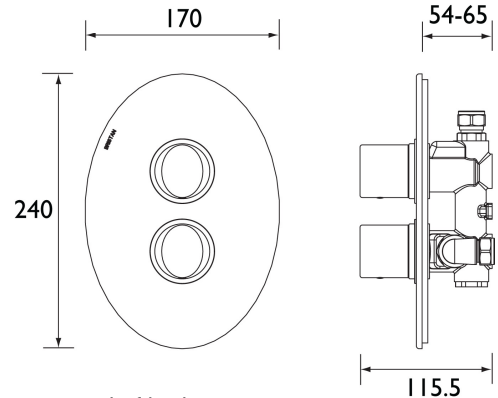


OVAL

OVAL DUAL CONTROL THERMOSTATIC SHOWER VALVE CHROME

Product Specification

Product Code:	OL SHCVO C
Finish:	Chrome
Product Type:	Contemporary
Construction:	Bodies are of all brass construction
Valve Type:	¼ turn ¾" ceramic disc valve
Cartridge Type:	Plastic thermostatic cartridge designed to comply with BS EN 1287:1999/BS EN 1111:1999
Supply:	Suitable for all plumbing systems, preferably balanced
Inlet Connections:	15mm compression elbows, 150mm centres
Outlet Connection:	1 x 15mm compression outlet
Water Pressure:	Min 0.1 bar (with showerhead fitted), Max. 8.0bar



Additional Information

- Chrome plated to BS EN 248
- Concealing plate material is ABS (plastic)
- Supplied with metal handles
- Dual control – flow and temperature are controlled by separate handles, giving accurate control of both
- Thermostatic cartridge maintains showering temperature to +/- 1°C by compensating for changes in the incoming water temperature and pressure giving the stable outlet temperature.
- Automatic shut off in the event of hot or cold water supply failure, thus reducing the risk of scalding.
- Factory set to a maximum of 42°C to eliminate the ability to select an unsafe temperature
- Hose outlet included
- Valve can be fitted as a portrait or landscape
- Extension kit available to cater for thicker wall thicknesses. Order separately – SHC EXT01 C
- Shower supplied as 'valve only' and thus can be customised by choosing accessories from our Pick 'N' Mix showering options. Please see our Product and Price Guide for details

Technical Advice: For further information please call 0844 7016273 or email customer care@bristan.com.
Guarantee: 5 years covering manufacturing faults.

Compliance/Approvals

WRAS: Certificate No. 1006005

Flow Rates (litres per minute, open outlet)

System Pressure	0.2bar	0.5bar	1bar	2bar	3bar	5bar
OL SHCVO C	8.7	13.1	19.0	27.5	33.6	43.4