

TECHNICAL DATASHEET

SPRAY SINGLE LUXURY BASIN TAP

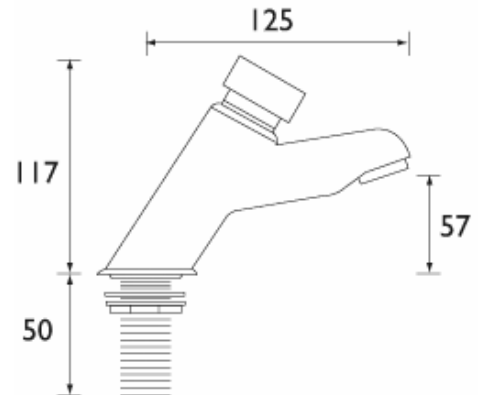
Product Specification

Product Code:	SY LUX ½ C
Finish:	Chrome
Product Type:	Utility
Construction:	Body is of brass construction and is designed to conform to BS EN 200 & BS EN 816
Valve Type:	Self closing valve
Supply:	Suitable for all plumbing systems
Inlet Connections:	½" BSP
Water Pressure:	Min. 0.2 bar, Max. 8.0 bar



Additional Information

- Supplied with flow limiter to spout to reduce flow to 3.5l/min (operates between 1 to 5 bar).
- Approximately 9 second shut off.
- Chrome plated to BS EN 248.



Technical Advice: For further information please call 0844 7016273 or email customer@bristan.com.
Guarantee: 5 years covering manufacturing faults.

Compliance/Approvals

WRAS: Pending



Flow Rates (litres per minute)

System Pressure	0.2bar	0.3bar	0.4bar	0.5bar	1bar	5bar
SY LUX ½ C	1.7	2.1	2.4	2.8	3.3	3.5