

TECHNICAL DATASHEET

DECORATIVE HEATING

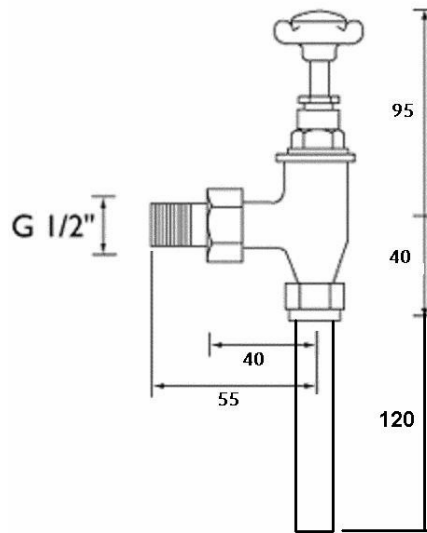
TRADITIONAL CROSS HEAD VALVE PACK

Product Specification

Product Code:	RV TRAD C
Finish:	Chrome
Product Type:	Traditional
Construction:	Bodies are of all brass construction and are designed to conform to BS EN 215
Valve Type:	Angled
Inlet Connections:	½" BSP



© Bristan Group 2009



Additional Information

- Pack includes: bleed key, 2 x chrome plated connectors, 2 x pipe rosettes, 2 x 15mm copper plated tubes, 2 x valves
- RV TRAD C – angled valves
- Supplied with metal heads
- Chrome plated to BS EN 248

Technical Advice: For further information please call 0844 7016273 or email customer@bristan.com.
Guarantee: 5 years covering manufacturing faults.