

## TECHNICAL DATASHEET

### DISCO

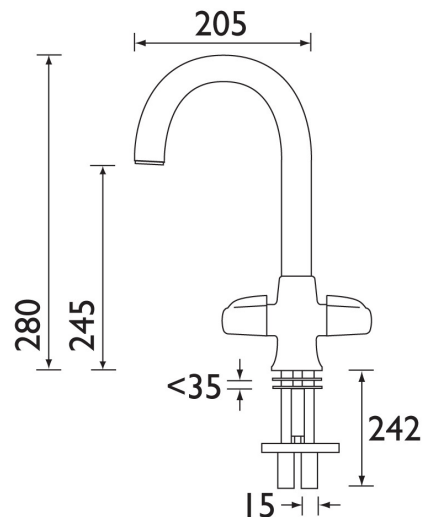
### DISCO MONOBLOC SINK MIXER



© Bristan Group 2009

### Product Specification

<b>Product Code:</b>	DS SNK C
<b>Finish:</b>	Chrome
<b>Product Type:</b>	Contemporary
<b>Construction:</b>	Body is of brass construction and is designed to conform to BS EN 200
<b>Valve Type:</b>	¼ turn ½" ceramic disc valves
<b>Supply:</b>	Suitable for all plumbing systems
<b>Inlet Connections:</b>	M10 x 15mm screw-in copper tail pipes
<b>Water Pressure:</b>	Min. 0.2 bar, Max. 8.0 bar



### Additional Information

- Dual flow.
- Supplied with metal handles.
- Chrome plated to BS EN 248.

**Technical Advice:** For further information please call 0844 7016273 or email [customer@bristan.com](mailto:customer@bristan.com).  
**Guarantee:** 5 years covering manufacturing faults.

### Compliance/Approvals

**WRAS:** Pending

#### Flow Rates (litres per minute)

System Pressure	0.2bar	0.5bar	1bar	2bar	3bar	5bar
DS SNK C (mixed)	11.2	19.6	28.7	41.2	50.8	65.6